

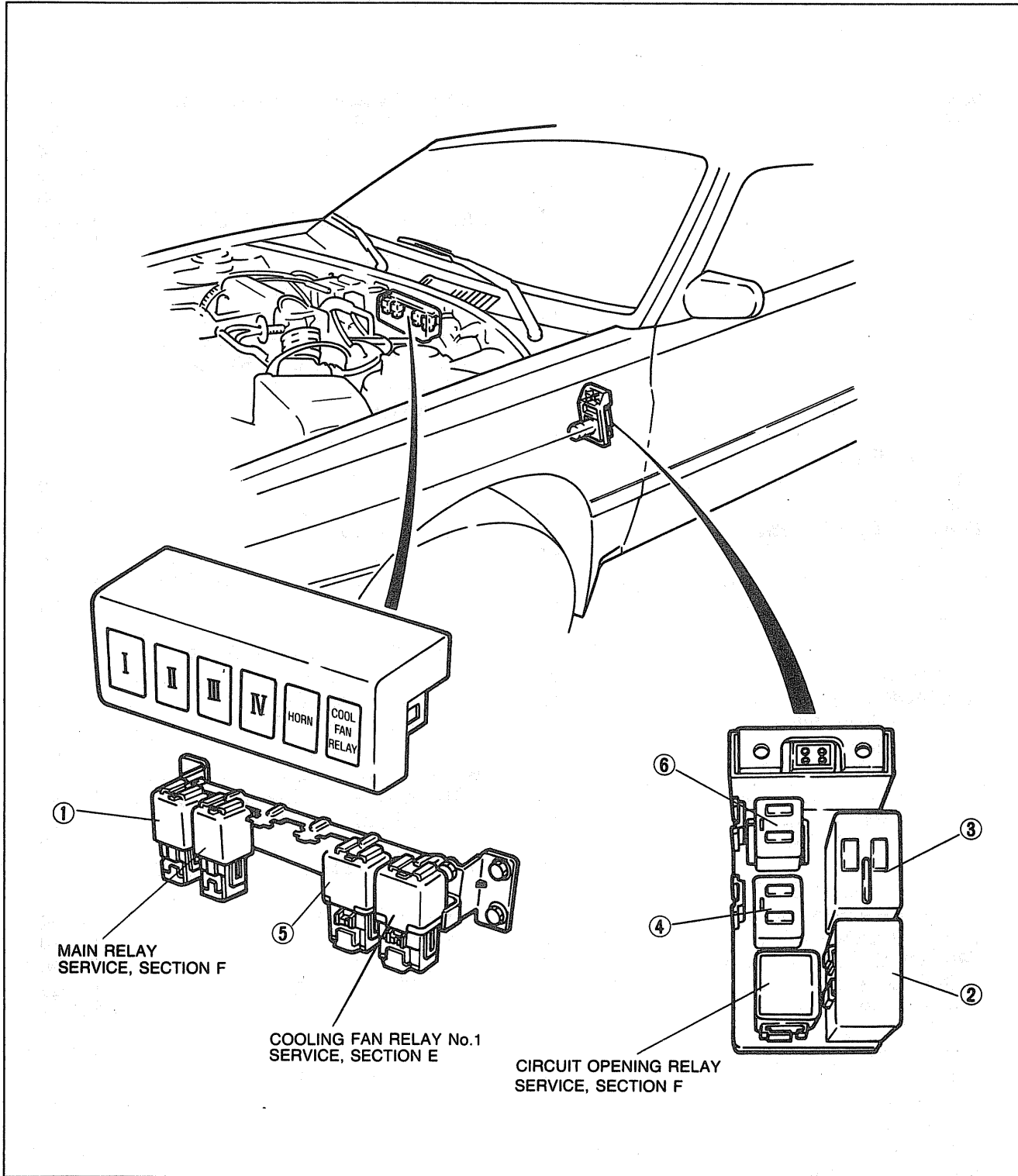
BODY ELECTRICAL SYSTEM

INDEX	T- 2	REAR WINDOW DEFROSTER	T- 63
RELAYS	T- 2	STRUCTURAL VIEW.....	T- 63
UNITS, SWITCHES AND SENSORS.	T- 3	TROUBLESHOOTING	T- 63
INSTRUMENT AND SWITCHES.....	T- 4	DEFROSTER RELAY	T- 65
EXTERIOR LIGHTS.....	T- 5	DEFROSTER FILAMENT	T- 65
INTERIOR LAMP	T- 7	CENTRAL PROCESSING UNIT (CPU)	T- 66
CRUISE CONTROL SYSTEM.....	T- 8	STRUCTURAL VIEW.....	T- 66
THEFT-DETERRENT SYSTEM	T- 9	FUNCTIONS	T- 66
AUDIO SYSTEM	T- 10	CIRCUIT DIAGRAM.....	T- 67
OUTLINE	T- 11	REMOVAL / INSTALLATION.....	T- 68
HOW TO USE THIS SECTION.....	T- 11	ON-VEHICLE INSPECTION.....	T- 68
ELECTRICAL TROUBLESHOOTING		CRUISE CONTROL SYSTEM	T- 69
TOOLS	T- 11	STRUCTURAL VIEW.....	T- 69
PRECAUTION	T- 12	TROUBLESHOOTING	T- 70
ELECTRICAL SYMBOLS	T- 15	SELF-DIAGNOSTIC INSPECTION...	T- 74
MAIN FUSE BLOCK	T- 16	ACTUATOR	T- 78
STRUCTURAL VIEW.....	T- 16	CRUISE CONTROL UNIT	T- 78
REPLACEMENT.....	T- 16	ACTUATOR CABLE.....	T- 79
JOINT BOX AND FUSE	T- 17	CLUTCH SWITCH	T- 80
STRUCTURAL VIEW.....	T- 17	BRAKE SWITCH	T- 80
IGNITION SWITCH	T- 17	CRUISE CONTROL MAIN SWITCH .	T- 81
INSPECTION.....	T- 17	CRUISE CONTROL SWITCH.....	T- 81
SWITCH	T- 18	SPEED SENSOR.....	T- 81
COMBINATION SWITCH	T- 18	THEFT-DETERRENT SYSTEM	T- 82
CLUSTER SWITCH.....	T- 20	STRUCTURAL VIEW.....	T- 82
EXTERIOR LIGHTS	T- 23	CIRCUIT DIAGRAM.....	T- 83
STRUCTURAL VIEW.....	T- 23	SYSTEMS INSPECTION	T- 84
HEADLIGHT	T- 25	INSPECTION.....	T- 89
TURN AND HAZARD WARNING		HORN	T- 91
LIGHT	T- 29	STRUCTURAL VIEW.....	T- 91
STOPLIGHT	T- 32	TROUBLESHOOTING	T- 92
REMOVAL / INSTALLATION.....	T- 35	INSPECTION.....	T- 93
AIMING.....	T- 37	AUDIO SYSTEM	T- 94
REPLACEMENT OF REAR		STRUCTURAL VIEW.....	T- 94
COMBINATION LIGHT LENS	T- 40	OUTLINE OF AUDIO	T- 95
INTERIOR LAMP	T- 44	SYSTEM	T- 98
REMOVAL / INSTALLATION.....	T- 44	TROUBLESHOOTING	T-100
PANEL LAMP CONTROL	T- 45	CAUSES OF NOISE	T-108
TROUBLESHOOTING	T- 45	AUDIO UNIT	T-111
INSPECTION.....	T- 46	3D WOOFER.....	T-112
INSTRUMENT CLUSTER	T- 47	FRONT SPEAKER.....	T-112
PREPARATION.....	T- 47	REAR SPEAKER	T-112
STRUCTURAL VIEW.....	T- 47	INSPECTION OF SPEAKER	T-112
DISASSEMBLY / ASSEMBLY	T- 48	POWER ANTENNA	T-113
TROUBLESHOOTING	T- 48		
WARNING LIGHTS AND SENDERS ..	T- 52		
TROUBLESHOOTING	T- 52		
INSPECTION.....	T- 61		



INDEX

RELAYS

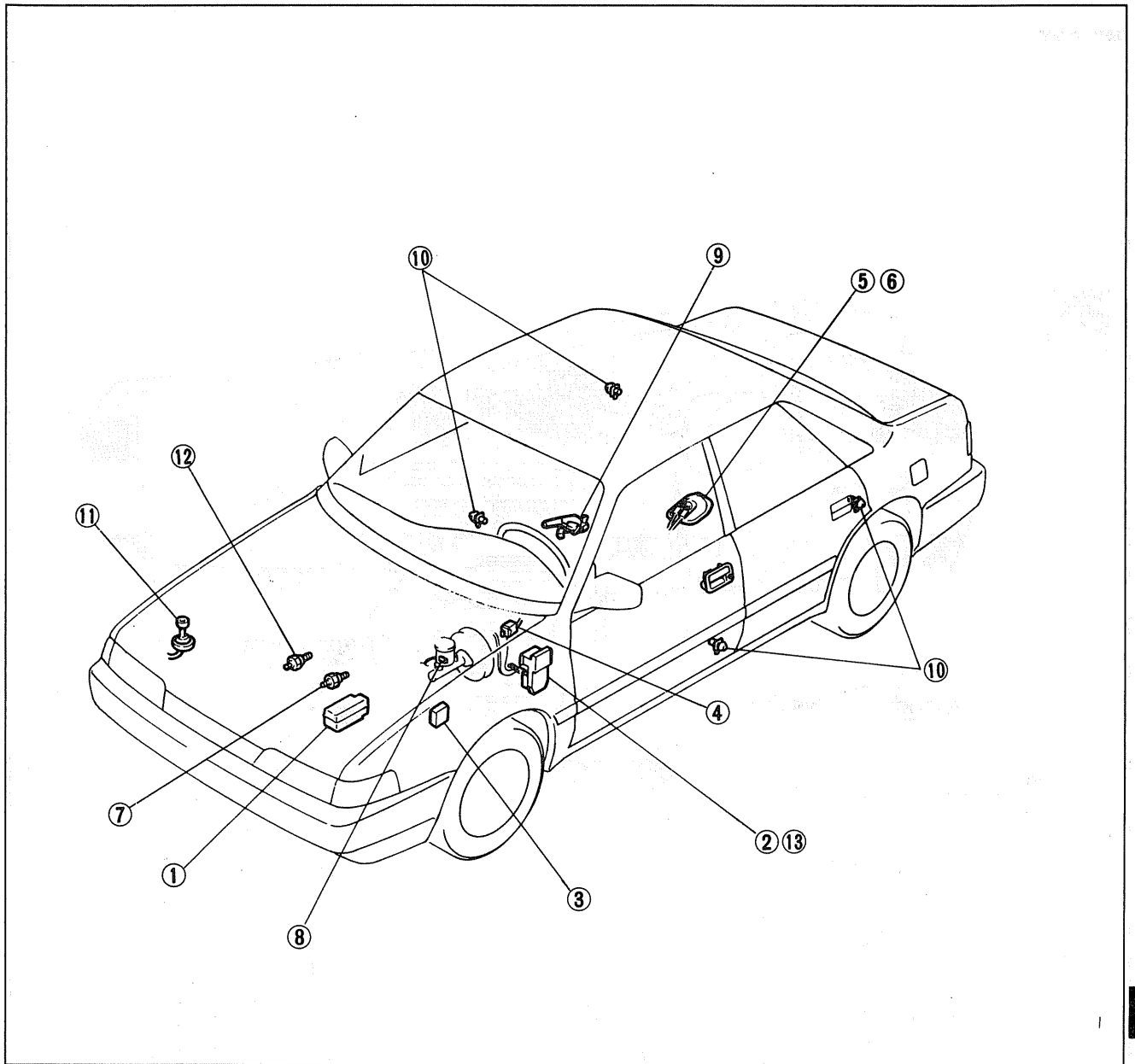


16U0TX-002

- 1. Daytime running light relay (DRL) (Canada)
Inspection page T-28
- 2. Flasher unit
Inspection page T-31
- 3. Stop and taillight checker
Inspection page T-34, 61

- 4. Defroster relay
Inspection page T-65
- 5. Horn relay
Inspection page T-93
- 6. Starter cut relay
Inspection page T-90

UNITS, SWITCHES AND SENSORS

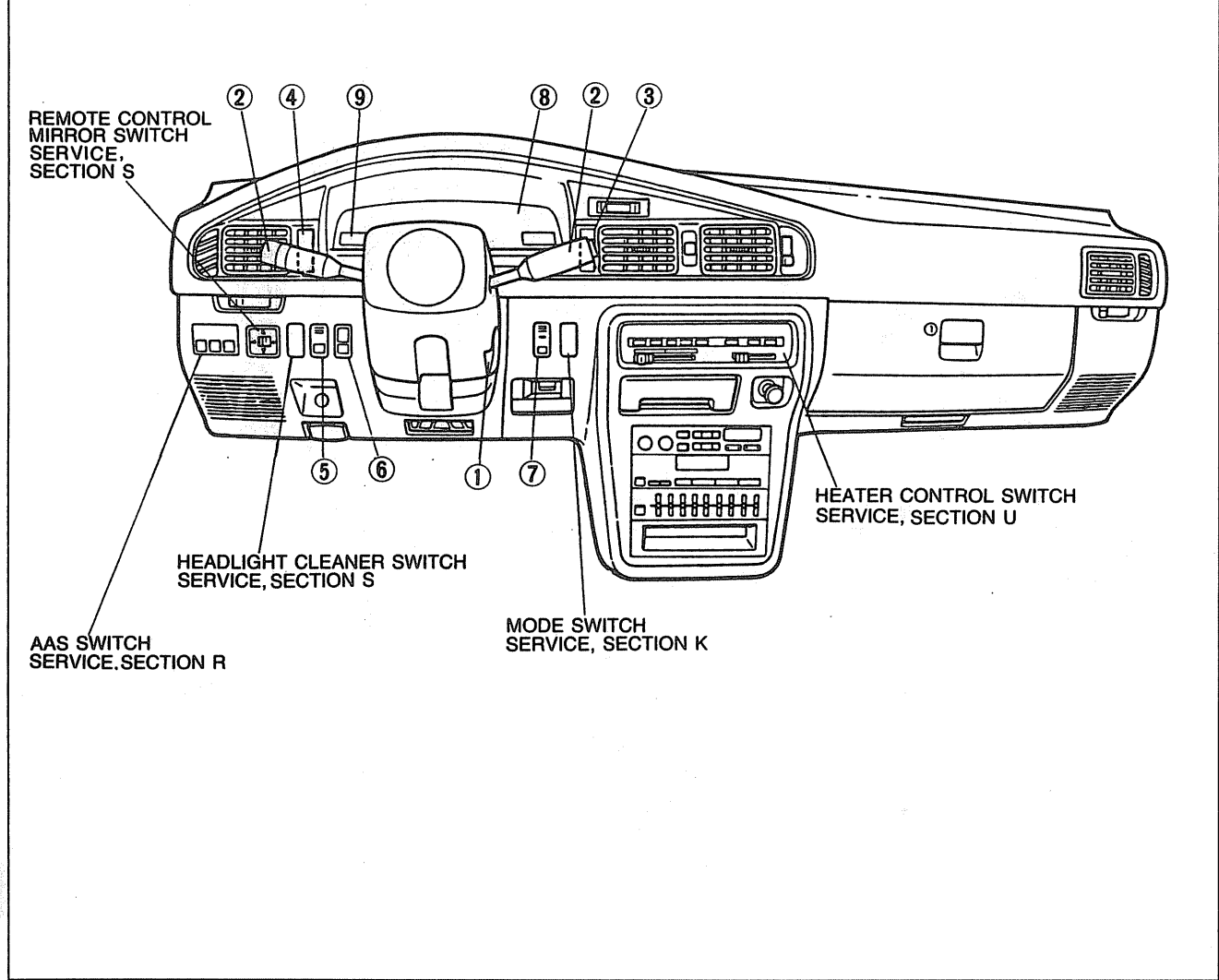


16U0TX-003

1. Main fuse block		9. Parking brake switch	
Structural view	page T-16	Inspection	page T-61
Replacement	page T-16	10. Door switch	
2. Joint box and fuse		Inspection	page T-61
Structural view	page T-17	11. Washer level sensor	
3. Resistor (Canada)		Inspection	page T-62
Inspection	page T-28	12. Oil pressure switch	
4. Stoplight switch		Inspection	page T-62
Inspection	page T-34	13. Central processing unit (CPU)	
5. Fuel tank sender unit		Structural view	page T-66
Inspection	page T-51	Functions	page T-66
6. Fuel level sensor		Circuit diagram	page T-67
Inspection	page T-62	Removal / Installation	page T-68
7. Water thermosensor		On-vehicle inspection.....	page T-68
Inspection	page T-51		
8. Brake fluid level sensor			
Inspection	page T-61		

INSTRUMENT AND SWITCHES

MX-6 AND SEDAN

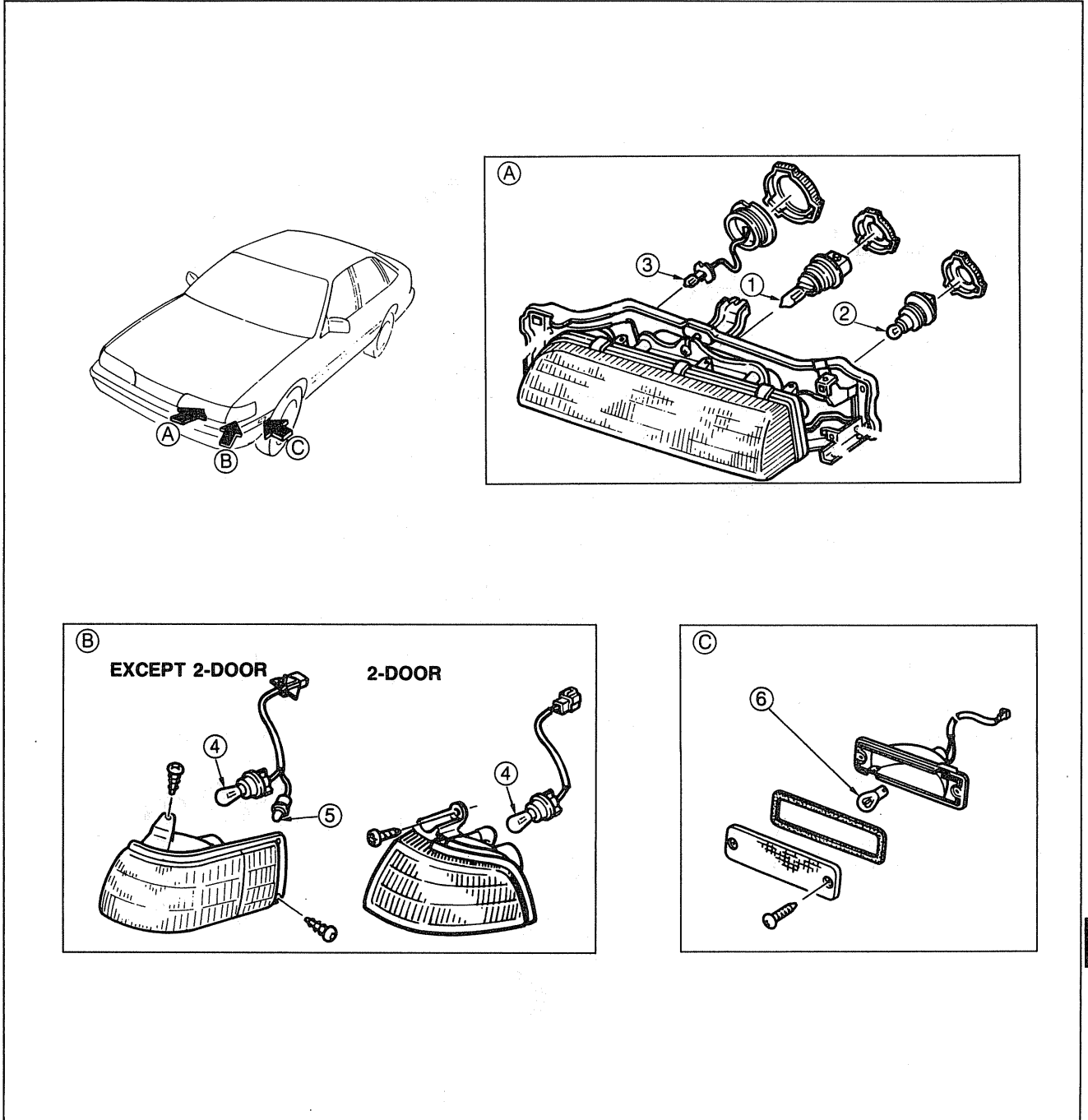


16U0TX-004

1. Ignition switch Inspection page T-17	8. Instrument cluster Structural view page T-47 Disassembly / Assembly page T-48 Troubleshooting page T-48 Inspection page T-50
2. Combination switch Structural view page T-18 Inspection page T-18	9. Warning lights and senders Troubleshooting page T-52 Inspection page T-61
3. Hazard warning switch (MX-6 and Sedan) Inspection page T-21	
4. Rear defroster switch (MX-6 and Sedan) Inspection page T-21	
5. Front fog light switch Inspection page T-28	
6. Panel lamp control Troubleshooting page T-45 Inspection page T-46	
7. Cruise control main switch Inspection page T-81	

EXTERIOR LIGHTS

Front

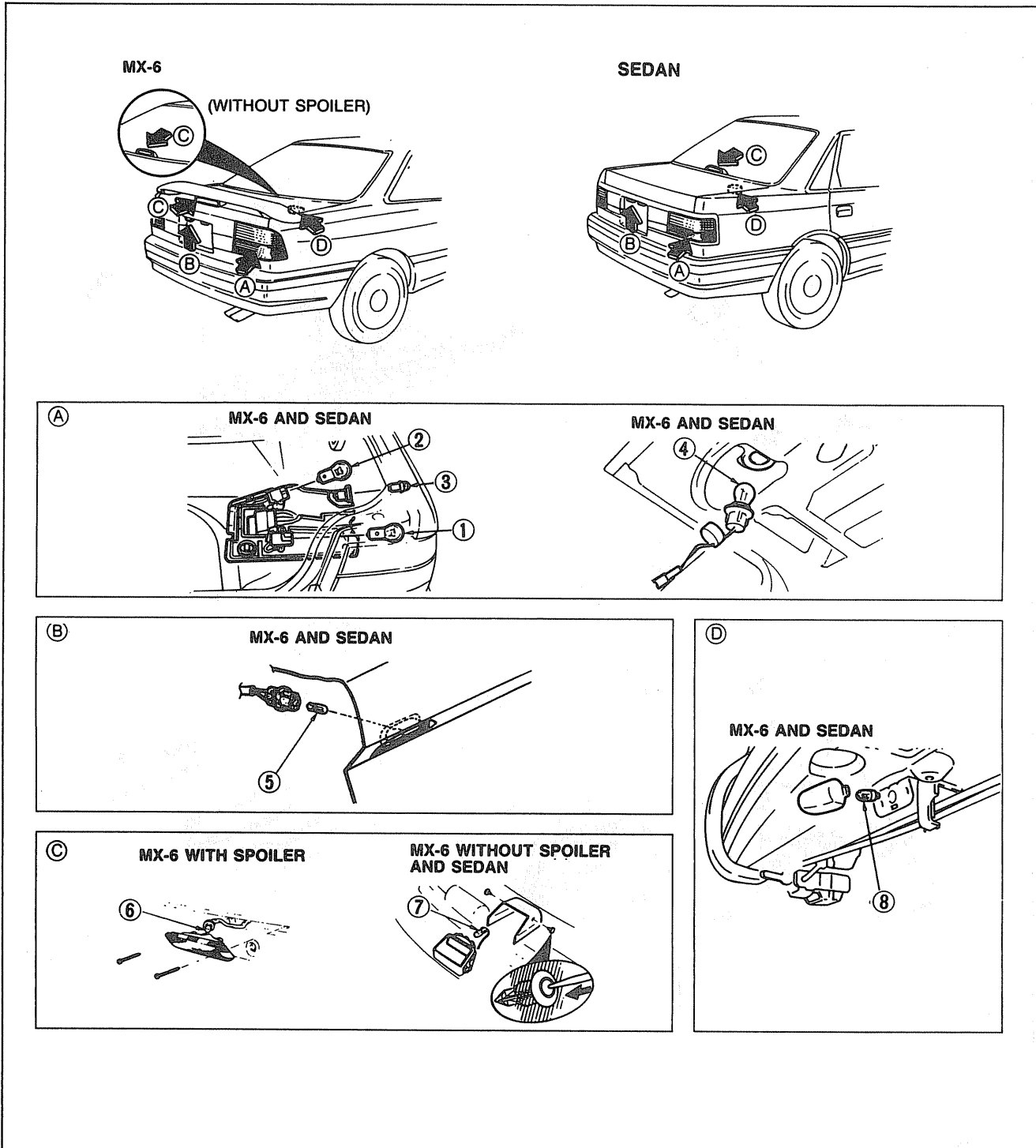


16U0TX-005

- | | |
|---|---|
| <p>1. Headlight
 Troubleshooting page T-25
 Inspection page T-28
 Removal / Installation page T-35,36
 Aiming..... page T-37</p> <p>2. Parking light
 Removal / Installation page T-35</p> <p>3. Parking light (Sedan)
 Removal / Installation page T-35
 Fog light (MX-6)
 Removal / Installation page T-35
 Aiming..... page T-38</p> | <p>4. Turn signal light
 Troubleshooting page T-29
 Inspection page T-31
 Removal / Installation page T-35</p> <p>5. Side marker light (Sedan)
 Removal / Installation page T-36</p> <p>6. Side marker light (MX-6)
 Removal / Installation page T-35</p> |
|---|---|

T

Rear

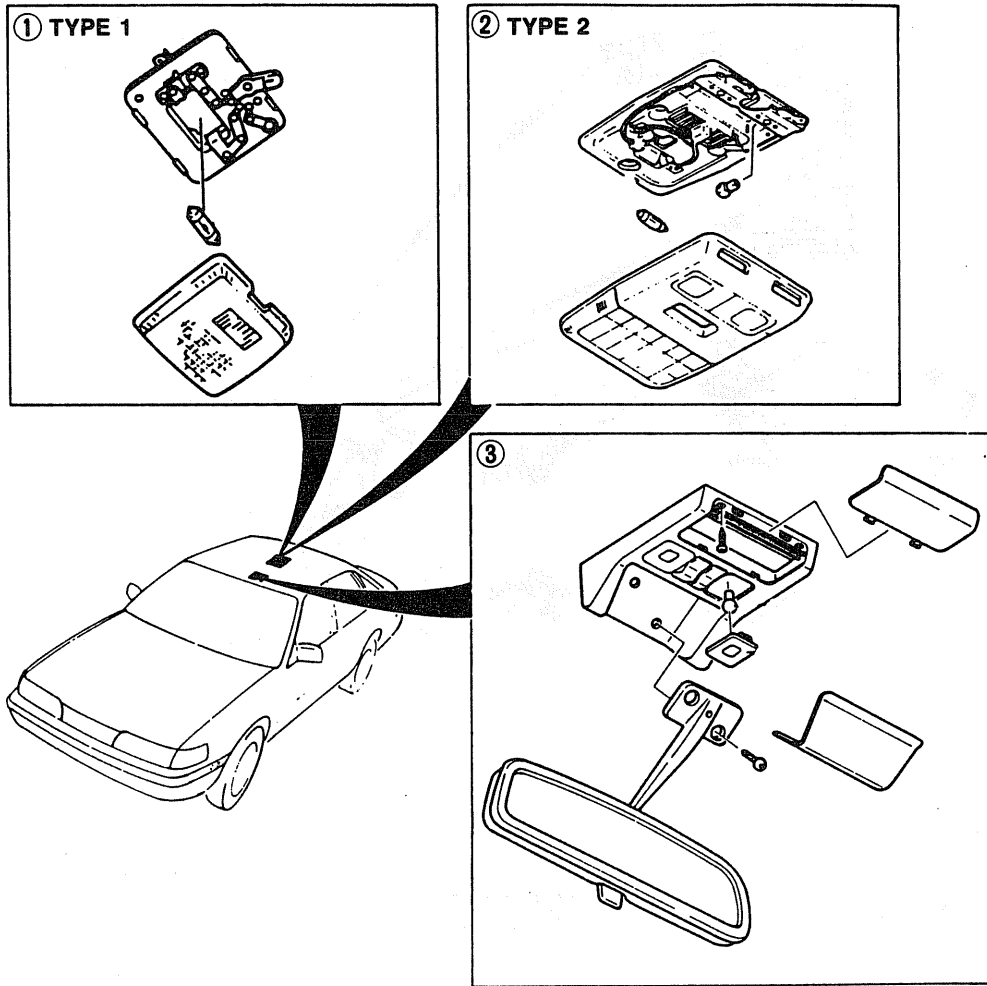


06U0TX-005

1. Turn signal light	
Troubleshooting	page T-29
Inspection	page T-31
Removal / Installation	page T-39
2. Stop and taillight	
Troubleshooting	page T-32
Inspection	page T-34
Removal / Installation	page T-39
3. Side marker light	
Removal / Installation	page T-39

4. Back-up light	
Removal / Installation	page T-39
5. License plate light	
Removal / Installation	page T-42
6. High mounted stoplight (with spoiler)	
Removal / Installation	page T-43
7. High mounted stoplight (without spoiler)	
Removal / Installation	page T-43
8. Luggage compartment light	
Removal / Installation	page T-42

INTERIOR LAMP

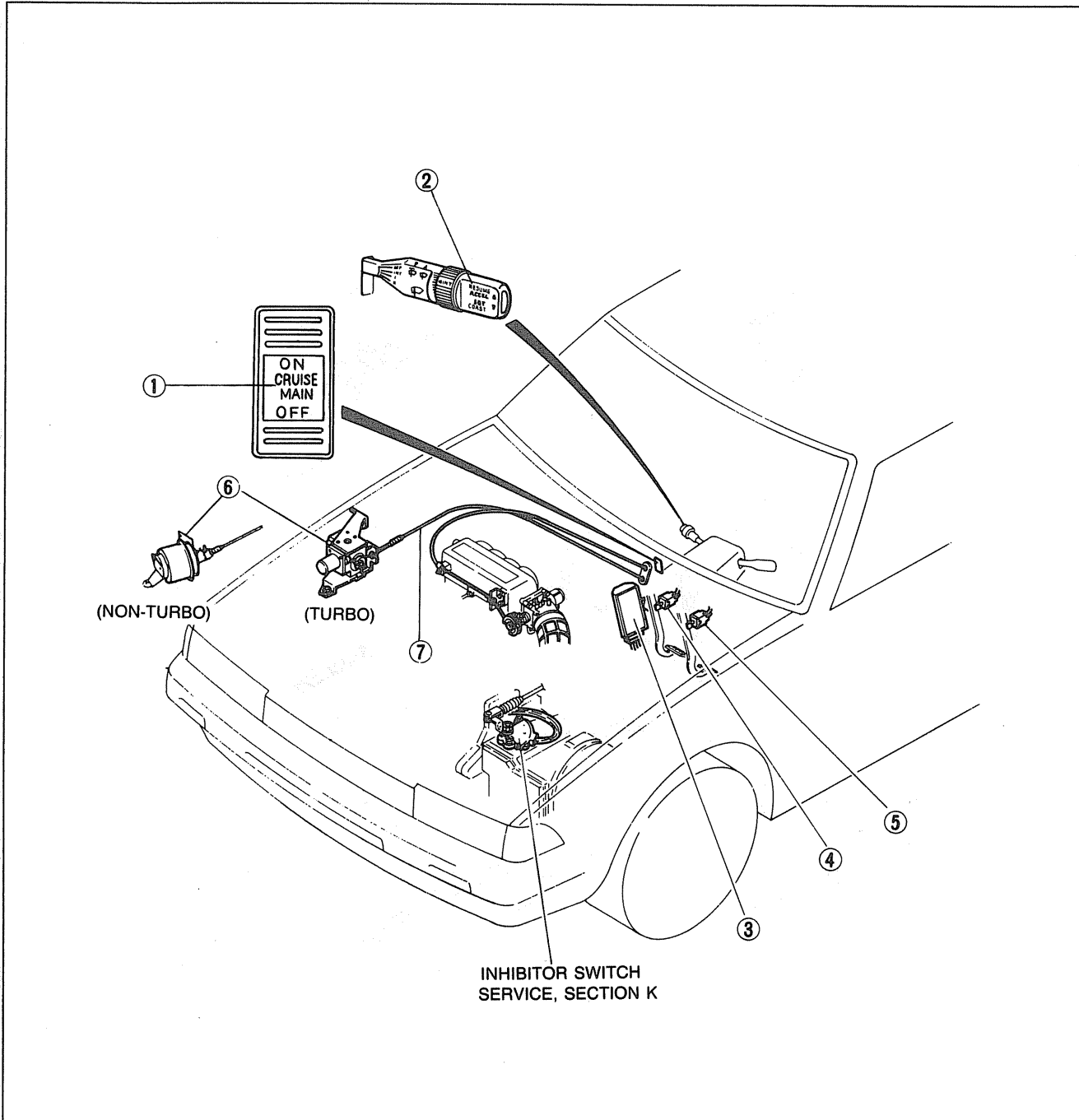


16U0TX-006

- 1. Interior lamp (Type 1)
Removal / Installation page T-44
- 2. Interior lamp (Type 2)
Removal / Installation page T-44

- 3. Map lamp
Removal / Installation page T-44

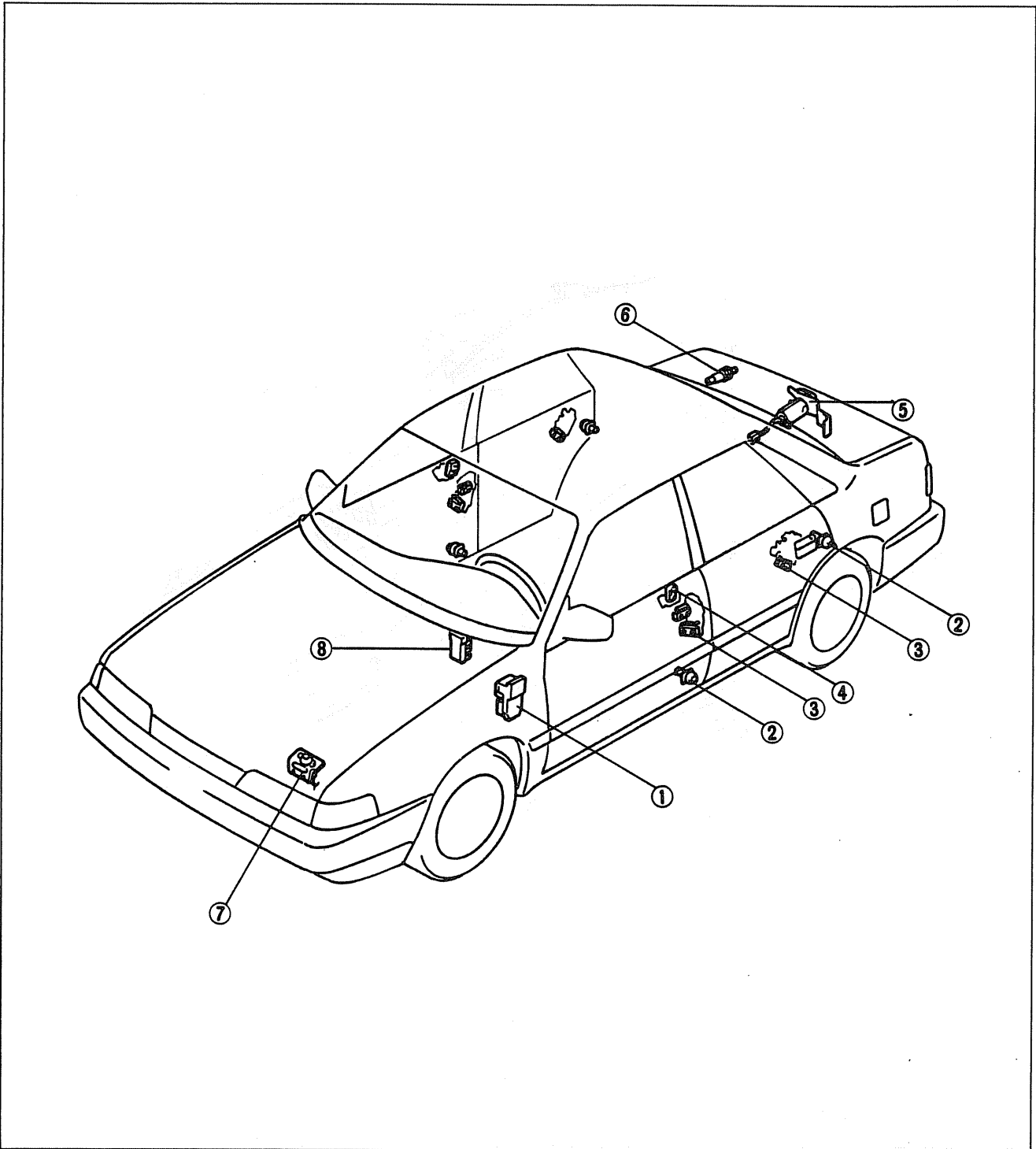
CRUISE CONTROL SYSTEM



06U0TX-007

1. Cruise control main switch		5. Clutch switch	
Inspection	page T-81	Removal	page T-80
2. Cruise control switch		Installation	page T-80
Inspection	page T-81	Adjustment	page T-80
3. Cruise control unit		Inspection	page T-80
Removal	page T-78	6. Actuator	
Installation	page T-78	Inspection	page T-78
Inspection	page T-78	Removal	page T-78
4. Brake switch (for cruise control)		Installation	page T-78
Removal	page T-80	7. Actuator cable	
Installation	page T-80	Removal	page T-79
Adjustment	page T-80	Installation	page T-79
Inspection	page T-80	Adjustment	page T-80

THEFT-DETERRENT SYSTEM

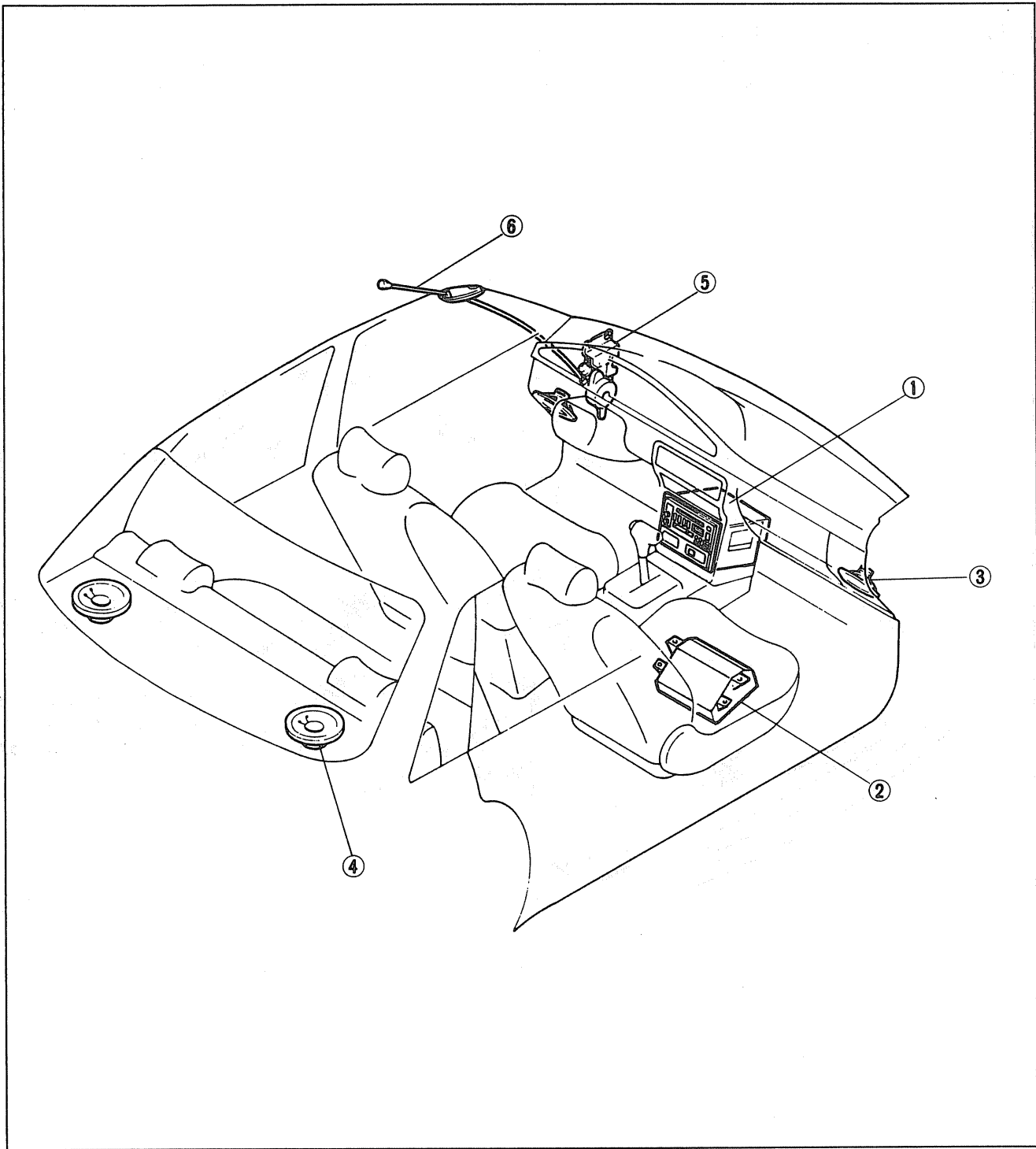


T

16U0TX-007

1. Control unit (in CPU)		5. Back door key cylinder switch	
Removal / Installation	page T-68	Inspection	page T-89
On-vehicle inspection.....	page T-68	6. Back door switch	
2. Door switch		Inspection	page T-61
Inspection	page T-61	7. Hood switch	
3. Lock link switch		Inspection	page T-89
Inspection	page T-89	8. Starter cut relay	
4. Door key cylinder switch		Inspection	page T-90
Inspection	page T-89	9. Headlight relay	
		Inspection	page T-89

AUDIO SYSTEM



16U0TX-008

1. Audio unit	
Removal / Installation	page T-111
2. 3D woofer	
Removal / Installation	page T-112
3. Front speaker	
Removal / Installation	page T-112
Inspection	page T-112
4. Rear speaker	
Removal / Installation	page T-112
Inspection	page T-112

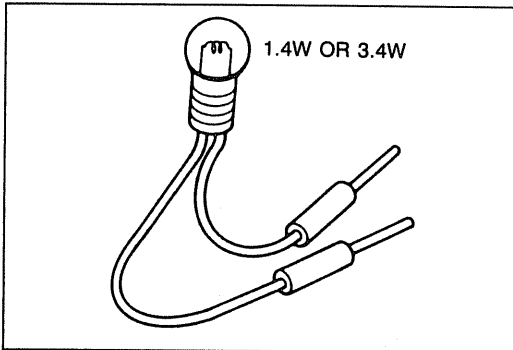
5. Power antenna motor	
Disassembly / Assembly	page T-113
Inspection	page T-114
Removal	page T-116
Installation	page T-117
6. Antenna mast	
Disassembly / Assembly	page T-113
Removal	page T-116
Installation	page T-117

OUTLINE

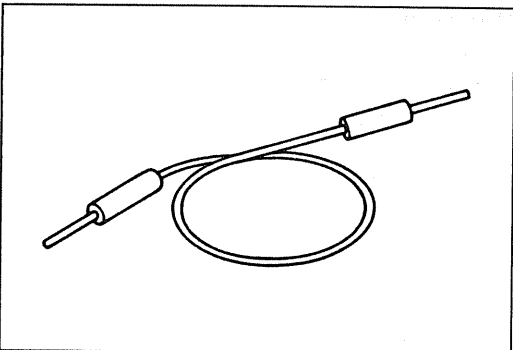
HOW TO USE THIS SECTION

Information regarding removal and installation of electrical equipment is given in **SECTION S**. Understanding will be easier if this section is used in conjunction with the **WIRING DIAGRAMS**.

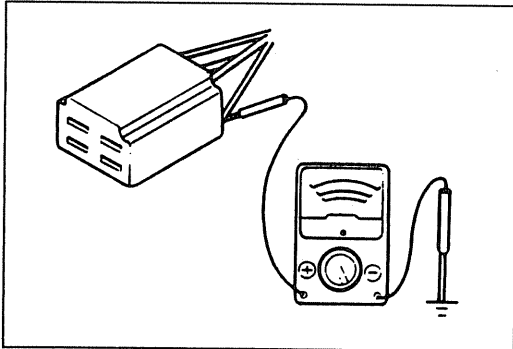
06U0TX-010



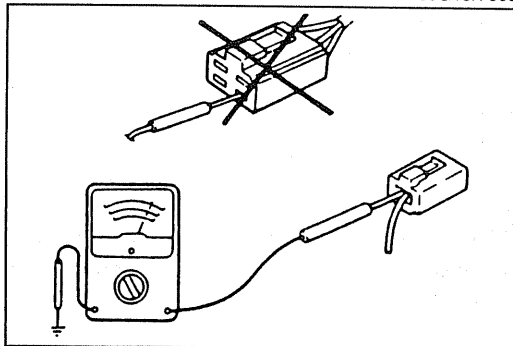
96U15X-002



16U0TX-061



69G15X-003



63U15X-005

ELECTRICAL TROUBLESHOOTING TOOLS

Test Light

The test light, as shown in the figure, uses a 12V bulb. The two leads should be connected to probes. The test light is used for simple voltage checks and to check for short circuits.

Caution

- When checking a control unit, never use a bulb over 3.4W.

Jumper Wire

The jumper wire is used for testing by short-circuiting switch terminals and to verify the condition of ground connections.

Caution

- Do not connect the jumper wire between a power source and body ground, because this may cause burning or other damage to harnesses or electronic components.

Voltmeter

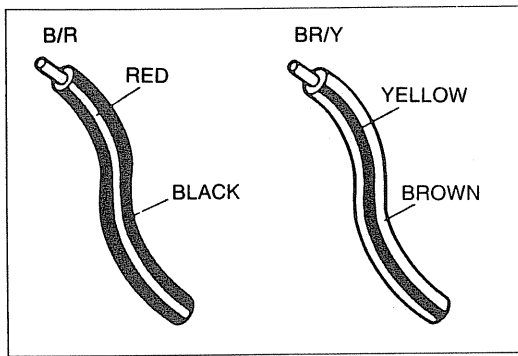
The DC voltmeter is used for measurement of circuit voltage. A voltmeter with a range of 15V or more is used. It is used by connecting the positive (+) probe (red lead) to the point where voltage is to be measured and connecting the negative (-) probe (black lead) to the body ground.

Ohmmeter

The ohmmeter is used to measure the resistance between two points in a circuit, and is also used to check for continuity and diagnosis of short circuits.

Caution

- Do not attempt to connect the ohmmeter to any circuit to which voltage is applied, because doing so may burn or otherwise damage the ohmmeter.

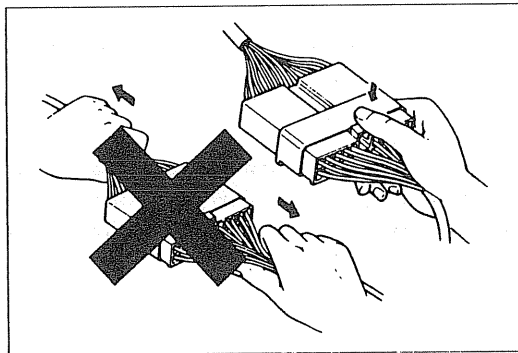


96U15X.190

PRECAUTION
Wiring Color Code

Two-color wires are indicated by a 2-letter symbol. The first letter indicates the base color of the wire and the second indicates the color of the stripe.

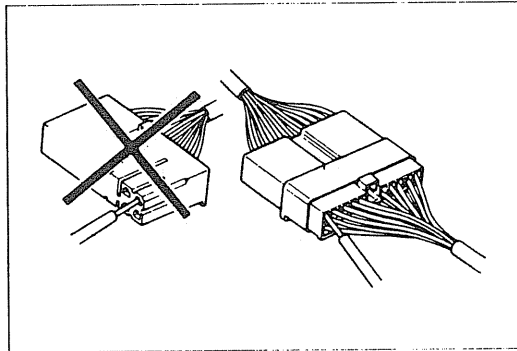
CODE	COLOR
B	BLACK
BR	BROWN
G	GREEN
L	BLUE
LB	LIGHT BLUE
LG	LIGHT GREEN
O	ORANGE
R	RED
Y	YELLOW
W	WHITE
GY	GRAY
P	PINK



69G15X-004

Bulkhead-Type Connector

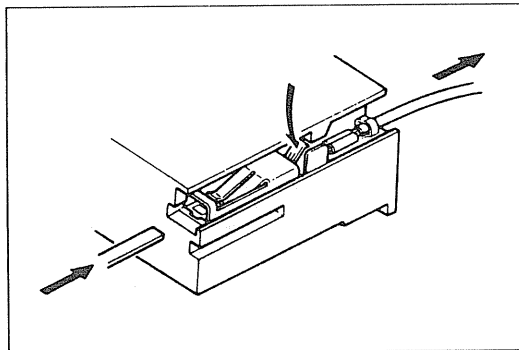
This connector can be separated by pressing the lock lever. Do not pull the wire when removing the connector; be careful to hold the connector itself when disconnecting.



69G15X-005

Inspection note

When checking the continuity or voltage with a circuit tester, insertion of the test probe into the receptacle connector may open the fitting of the connector and result in poor contact. Therefore, insert the test probe only from the wire harness side.



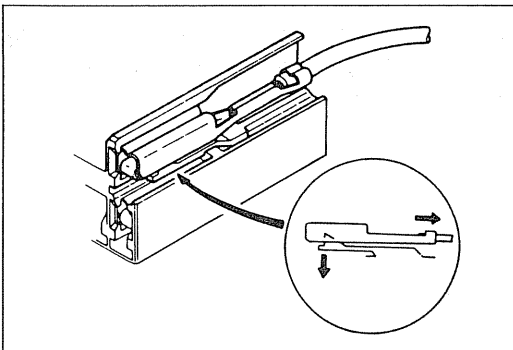
5BU15X-003

Replacement of Terminal

Use the appropriate tools to remove the terminal, as shown in the figure. When installing a terminal, be sure to press it in until it locks securely.

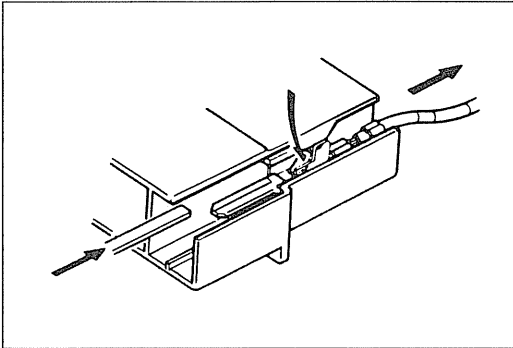
< Female Type No.1 >

Insert a push-tool or thin piece of metal from the terminal side of the connector, and then, with the locking tabs of the terminal pressed down, pull the terminal out from the rear side.



5BU15X-004

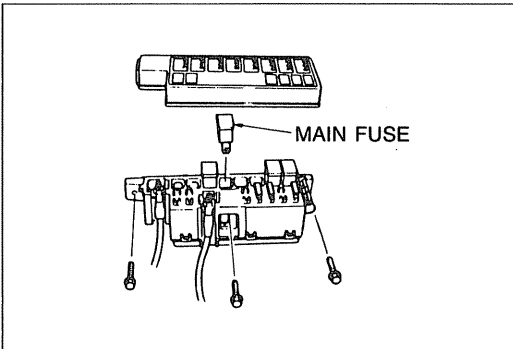
< Female Type No.2 >



47U15X-012

< Male Type >

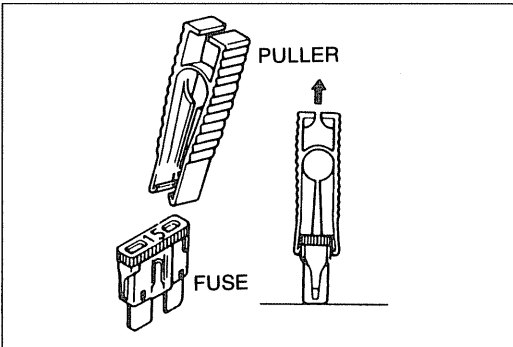
Same as the female type.



69G15X-006

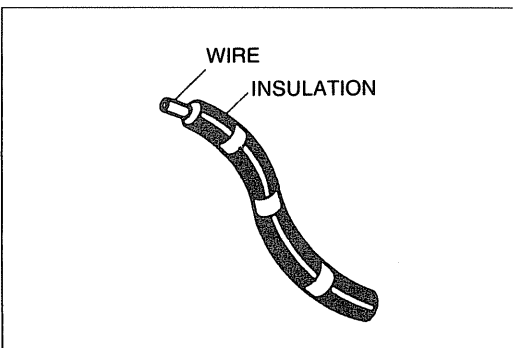
Replacement of Fuse

1. When replacing a fuse, be sure to replace it with one of the specified capacity.
If, after a fuse has been replaced, it fails again, there is probably a short in the circuit, and the wiring should be checked.
2. Be sure the negative battery terminal is disconnected before replacing a main fuse.



4BG15X-003

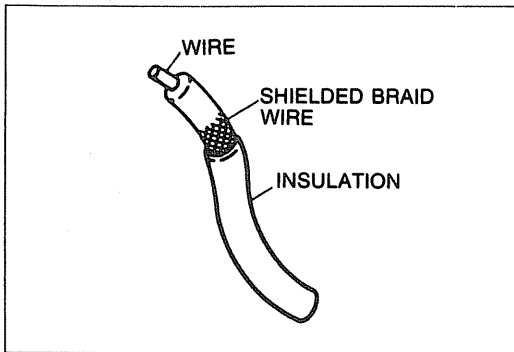
3. When replacing a fuse, use the supplied fuse puller in the fuse box cover.



69G15X-007

Thin Insulation Wire

To reduce the weight of the wiring harness, a thin coating of high resistance insulation material is used.



69G15X-008

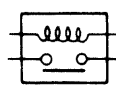
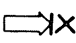
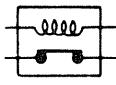
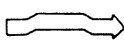
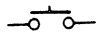
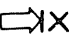

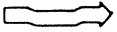
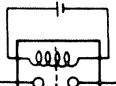

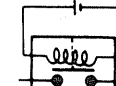
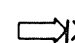
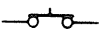
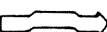

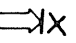
Shielded braid wire

This wire is used to prevent a malfunction in important circuits that are susceptible to outside signals or interference, such as the ignition coil and oxygen sensor.

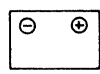
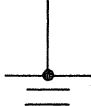
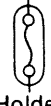



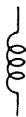

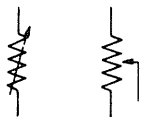
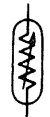

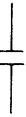

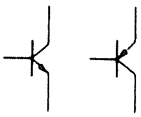
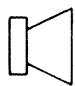


ELECTRICAL SYMBOLS

Switches and Relays

There is an NC (normally closed) and NO (normally open) indication for switches and relays; this indicates the condition when there has been no change of operating conditions.

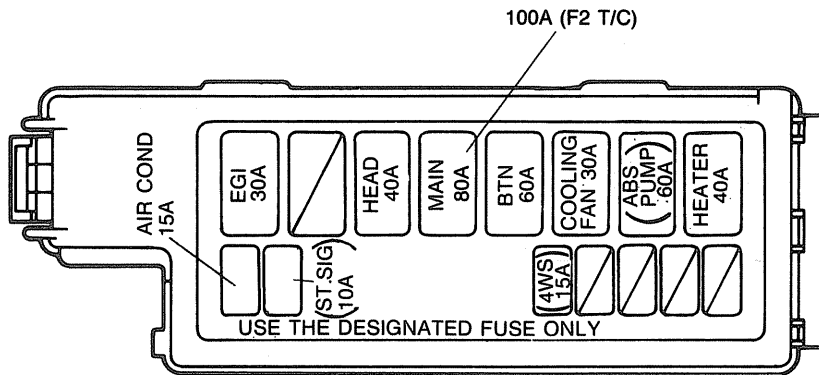
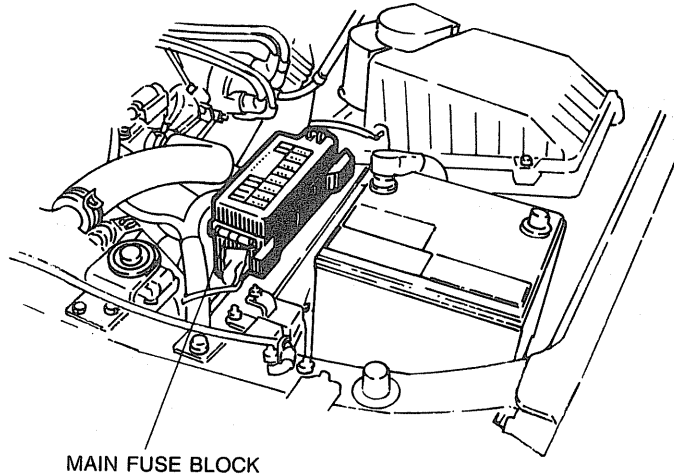
	Relay		Switch	
	NO type relay	NC type relay	NO switch	NC switch
Not in operation (No power supply)	  Stop	  Flow	  Stop	  Flow
In operation (Power supply)	  Flow	  Stop	  Flow	  Stop

Other Electrical Symbols

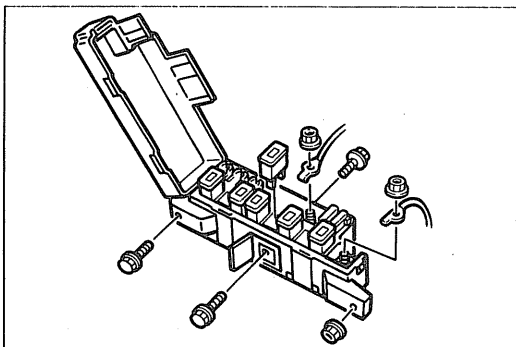
		 Holder	 Box	
BATTERY	BODY GROUND	FUSE	FUSIBLE LINK	
				
MOTOR	COIL, SOLENOID	RESISTOR	VARIABLE RESISTOR	
				
THERMISTER	DIODE	CONDENSER	LIGHT	
				
TRANSISTOR	SPEAKER	CIGARETTE LIGHTER	HEATER	

MAIN FUSE BLOCK

STRUCTURAL VIEW



86U15X-004



06U0TX-011

REPLACEMENT

Disconnect the negative battery terminal.

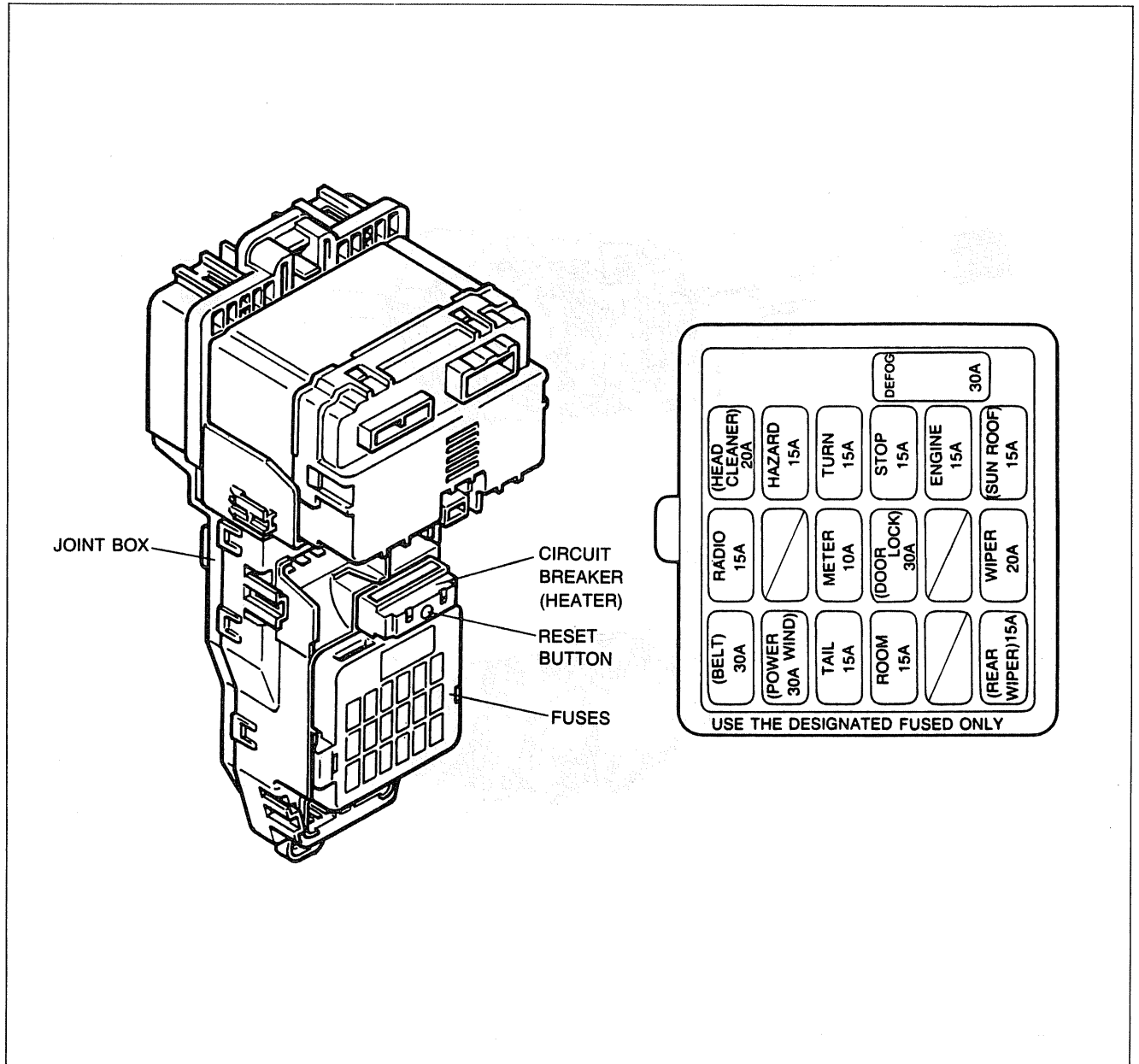
30, 40, and 60A fuses: Pull out and push in a new fuse.

80A and 100A fuse :

1. Remove the main fuse box.
2. Open the cover.
3. Unscrew the terminals.
4. Pull out and push in a new fuse.

JOINT BOX AND FUSE

STRUCTURAL VIEW

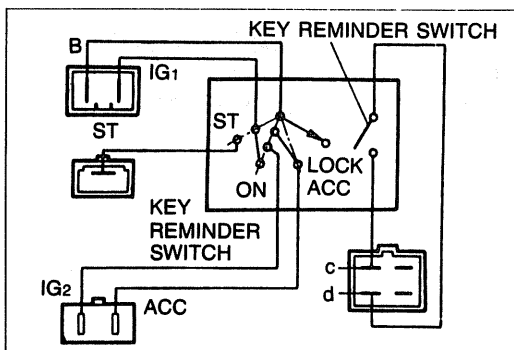


86U15X-006

IGNITION SWITCH

INSPECTION

1. Use an ohmmeter to check continuity of the terminals of the switch.
2. If continuity is not as specified, replace the switch.



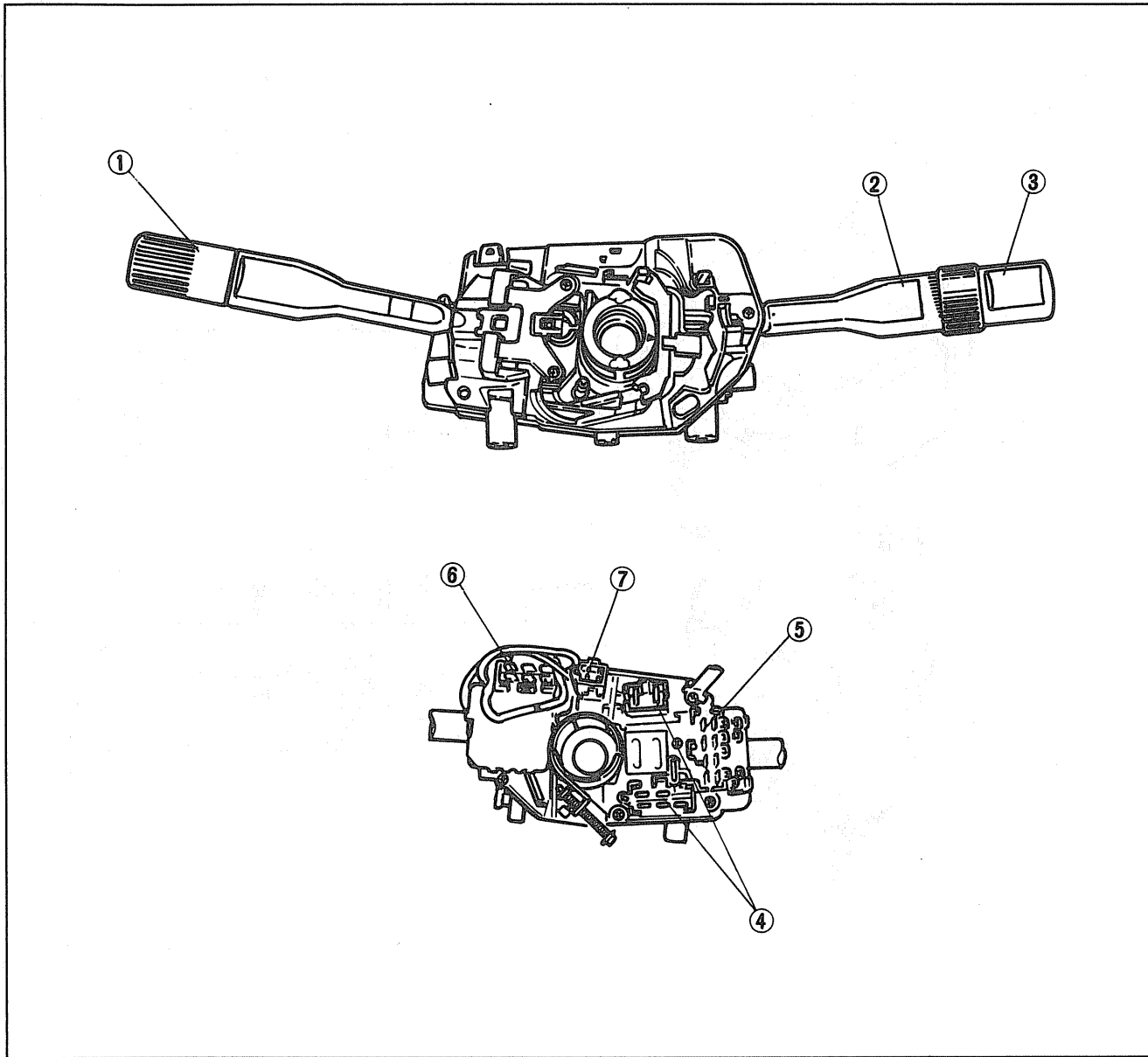
69G15X-014

Position		Terminal						
		B	ACC	IG2	IG1	ST	c	d
LOCK	Remove							
	Insert						○—○	○—○
ACC		○—○					○—○	○—○
ON		○—○	○—○	○—○			○—○	○—○
ST		○—○			○—○	○—○	○—○	○—○

○—○: Indicates continuity

SWITCH

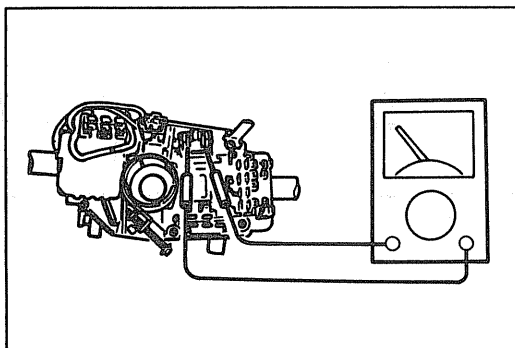
COMBINATION SWITCH



16U0TX-009

1. Light and turn signal switch lever
2. Windshield wiper and washer switch lever
3. Cruise control switch
4. Light switch connectors

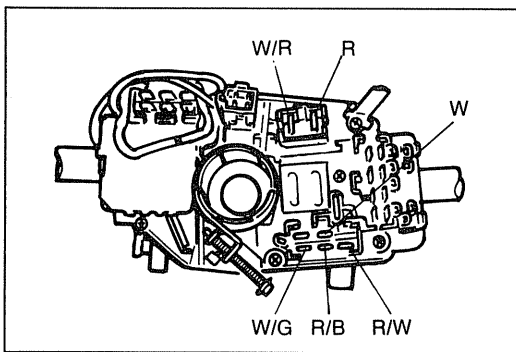
5. Turn signal switch connector
6. Windshield wiper and washer switch connector
7. Cruise control switch connector



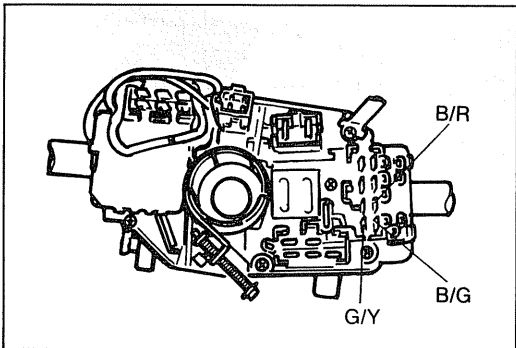
16U0TX-010

Inspection

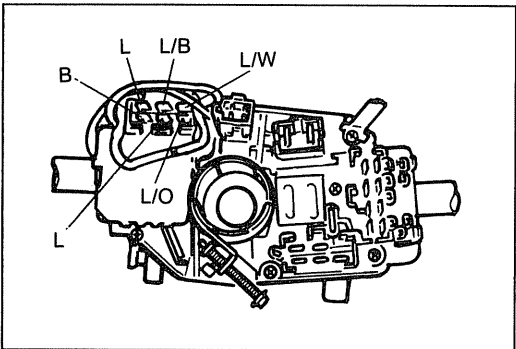
1. Check for continuity or the resistance between the terminals in each position with an ohmmeter.
2. If the continuity or resistance is not as specified, replace the switch.



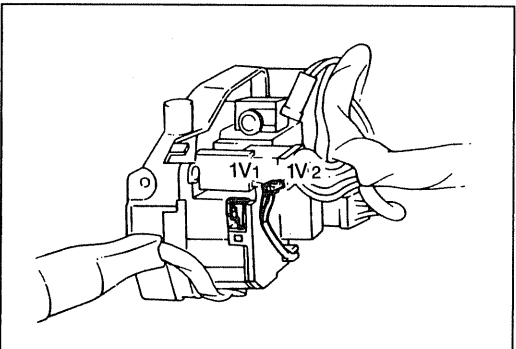
96U15X-006



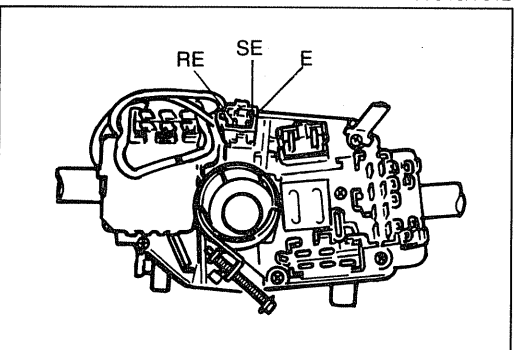
86U15X-010



86U15X-011



86U15X-012



06U0TX-012

Light, dimmer, and passing switch

Position		Terminal					
		W	R/B	R/W	R	W/R	W/G
Headlight	Low beam	○—○			○	○—○	
	High beam	○—○		○	○	○—○	
Passing light				○—○			
Tail, parking light						○—○	

○—○: Indicates continuity

Turn signal switch

Position		Terminal		
		B/G	G/Y	B/R
Left		○—○	○	
Right		○		○—○

○—○: Indicates continuity

Windshield wiper and washer switch

Position		Terminal						
		One touch	L/B	L	L/W	L/R	B	L/O
Wiper switch	OFF	OFF	○		○			
		ON			○		○	
	INT			○		○		
	I (Low)			○		○		
	II (High)					○	○	
Washer switch		ON					○—○	

○—○: Indicates continuity

Variable speed intermittent wiper timer control resistance

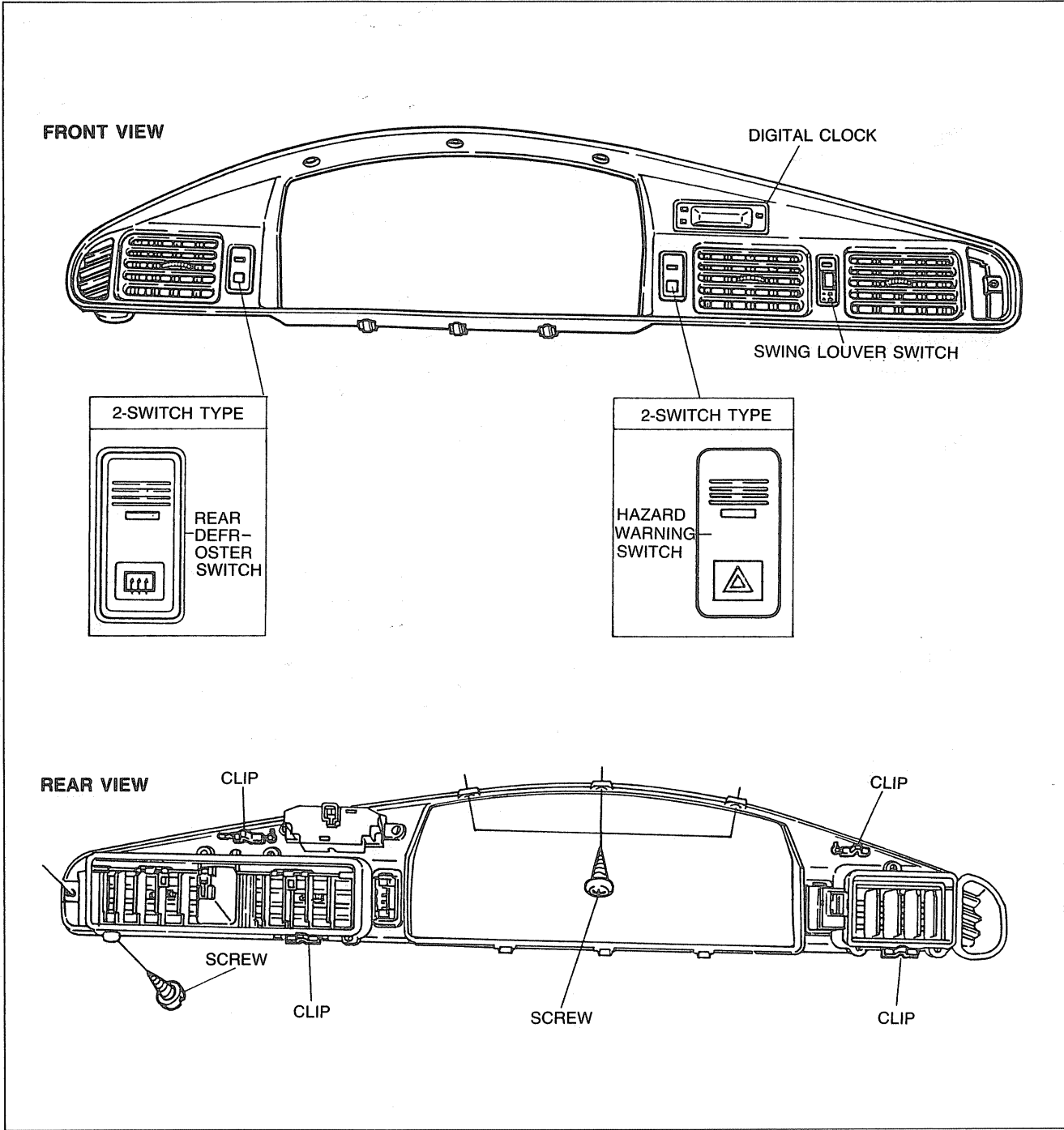
Position		Terminal
		IV1 — IV2
Slow		0 — 1 kΩ
Fast		40 — 60 kΩ

Cruise control switch

Switch	Terminal		
	SE	RE	E
SET/COAST	○		○
RESUME/ACCEL		○	○

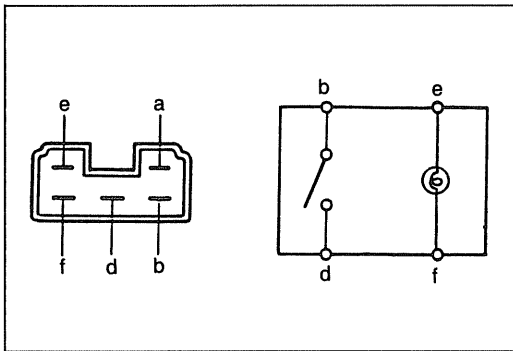
○—○: Indicates continuity

CLUSTER SWITCH
Structural View

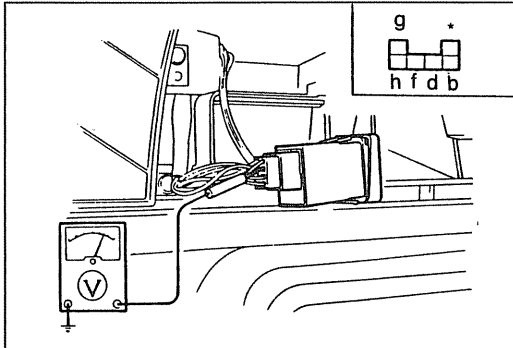


16U0TX-011

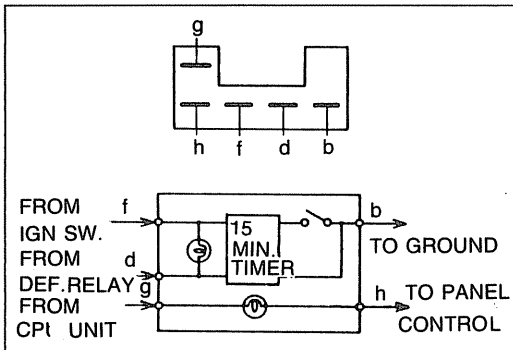
Type	Switch	Switch Type	Model	
			MX-6	Sedan
Two-switch type	Rear window defroster switch	Rocker	*	*
	Hazard warning switch	Rocker	*	*



16U0TX-012



16U0TX-013



96U15X-013

Inspection (Two-Switch Type)

Hazard warning switch

1. Check for continuity between the terminals in each position with an ohmmeter.

Terminal	a	b	d	e	f
Position OFF				○—○	○—○
Position ON		○—○	○—○	○—○	○—○

○—○: Indicates continuity

2. If continuity is not as specified, replace the switch or replace the bulb(s).

Rear defroster switch

1. Turn the ignition switch ON.
2. Push the defroster switch to ON, and verify whether the indicator lamp is on.
3. If not, replace the bulb.
4. Check that the switch goes off after 15 minutes.
5. Check the voltage between each terminal and a body ground.

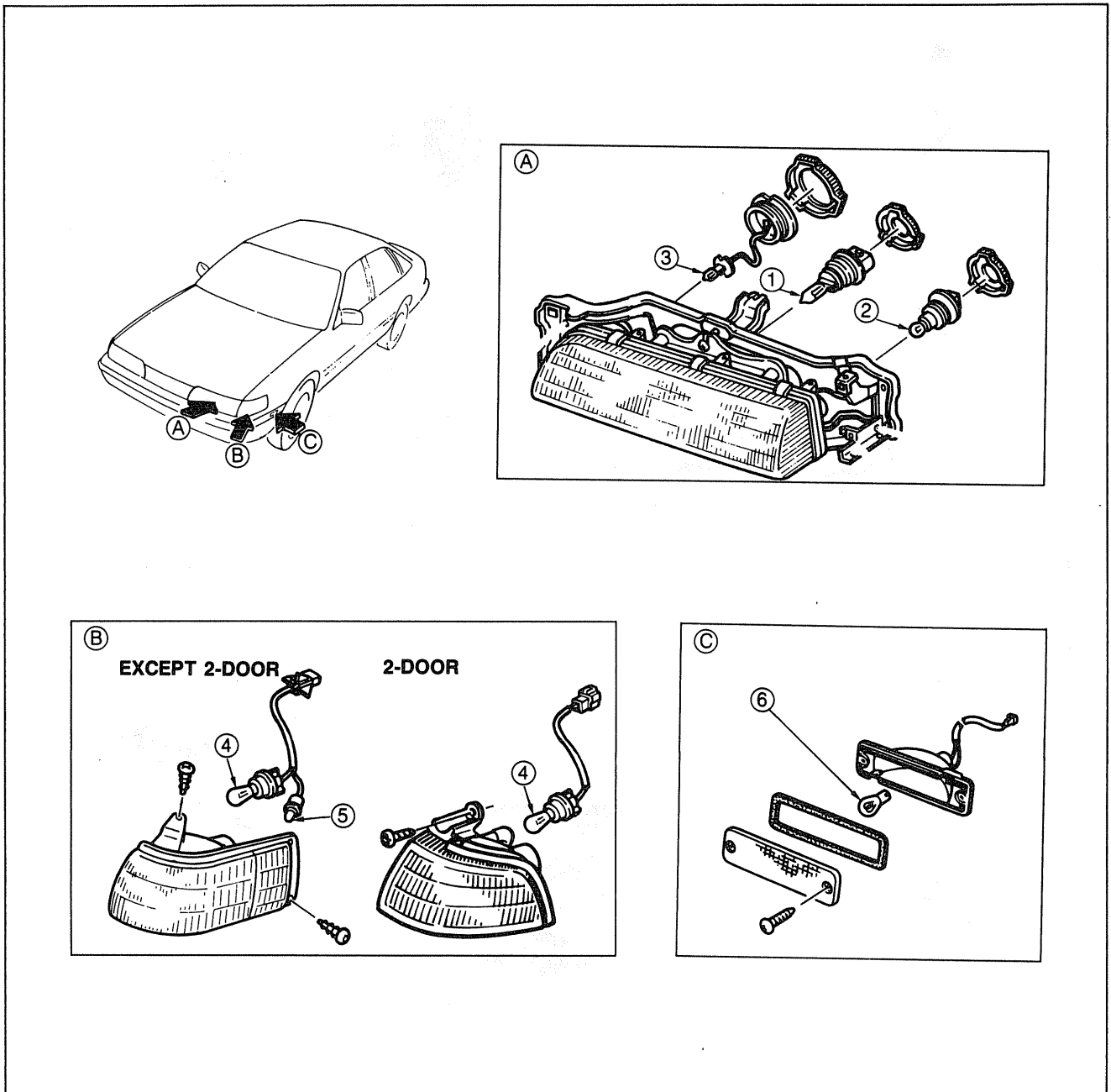
Position	Terminal voltage (V)				
	b	d	f	g	h
OFF	0	12	12	0	12
ON	0	0	12	0	12
ON (headlight switch ON)	0	0	12	2-12	12
OFF (headlight switch ON)	0	12	12	2-12	12

6. If the voltage of "d" terminal is 12V with the switch off but not 0V with the switch on, replace the defroster switch. If the voltage of "d" terminal is not 12V with the switch off, check the defroster relay and harness. If the voltages of the other terminals are not correct, trouble is in the other parts or in the harness.

T

EXTERIOR LIGHTS

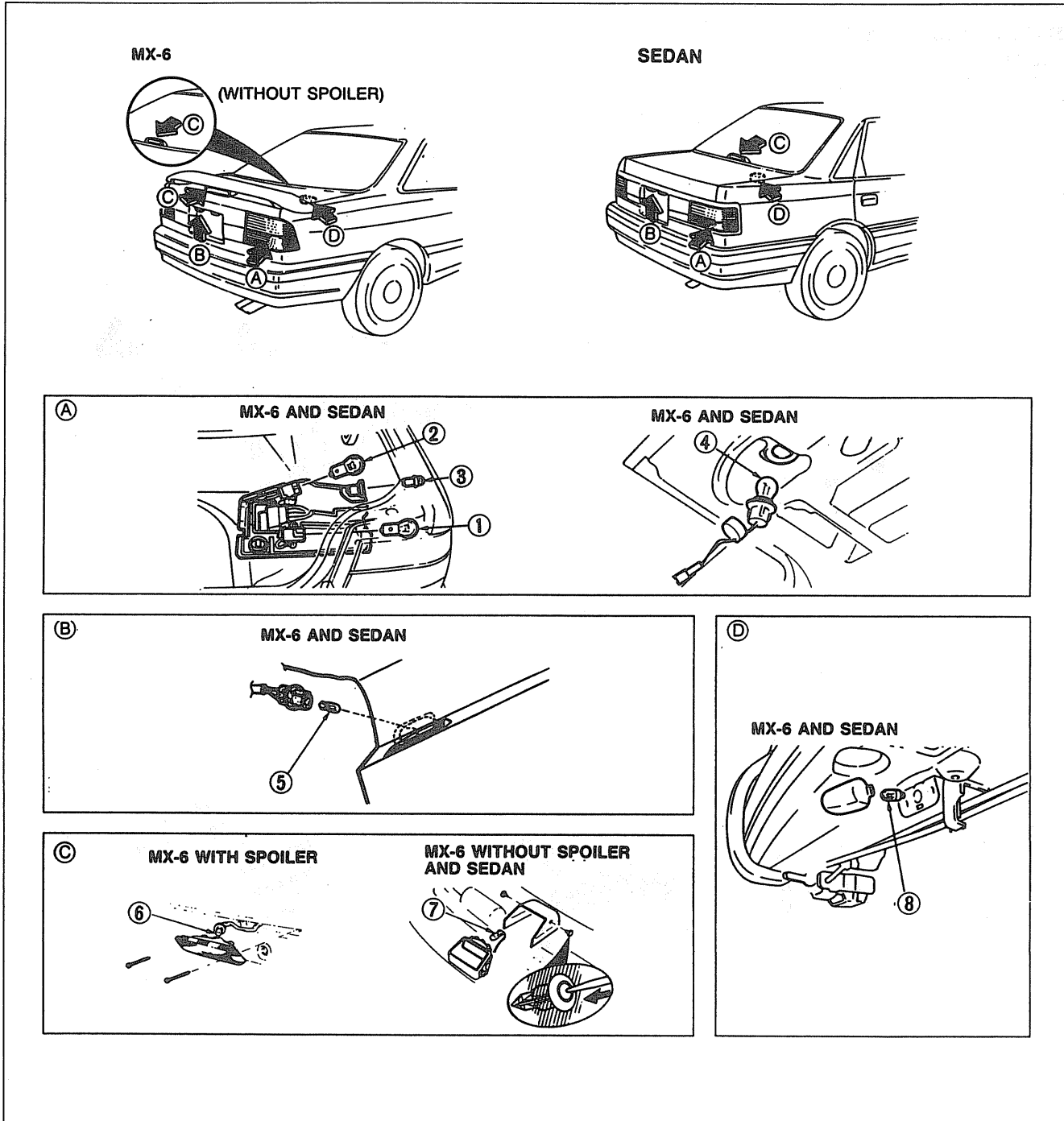
STRUCTURAL VIEW
Front



16U0TX-015

- | | |
|---|---|
| <p>1. Headlight
 Troubleshooting page T-25
 Inspection page T-28
 Removal / Installation page T-35,36
 Aiming..... page T-37</p> <p>2. Parking light
 Removal / Installation page T-35</p> <p>3. Parking light (Sedan)
 Removal / Installation page T-35
 Fog light (MX-6)
 Removal / Installation page T-35
 Aiming..... page T-38</p> | <p>4. Turn signal light
 Troubleshooting page T-29
 Inspection page T-31
 Removal / Installation page T-35</p> <p>5. Side marker light (Sedan)
 Removal / Installation page T-36</p> <p>6. Side marker light (MX-6)
 Removal / Installation page T-35</p> |
|---|---|

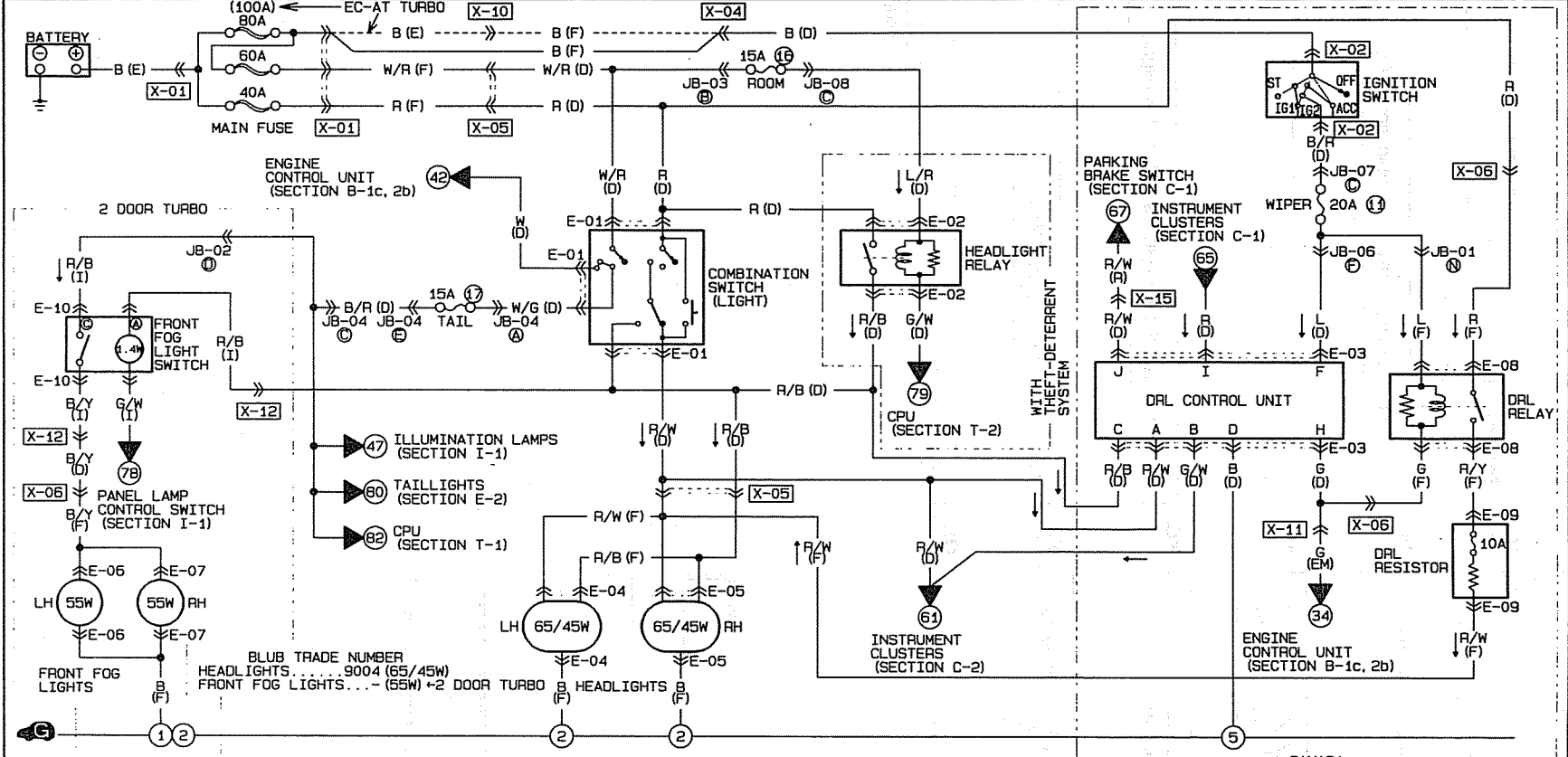
Rear



06U0TX-014

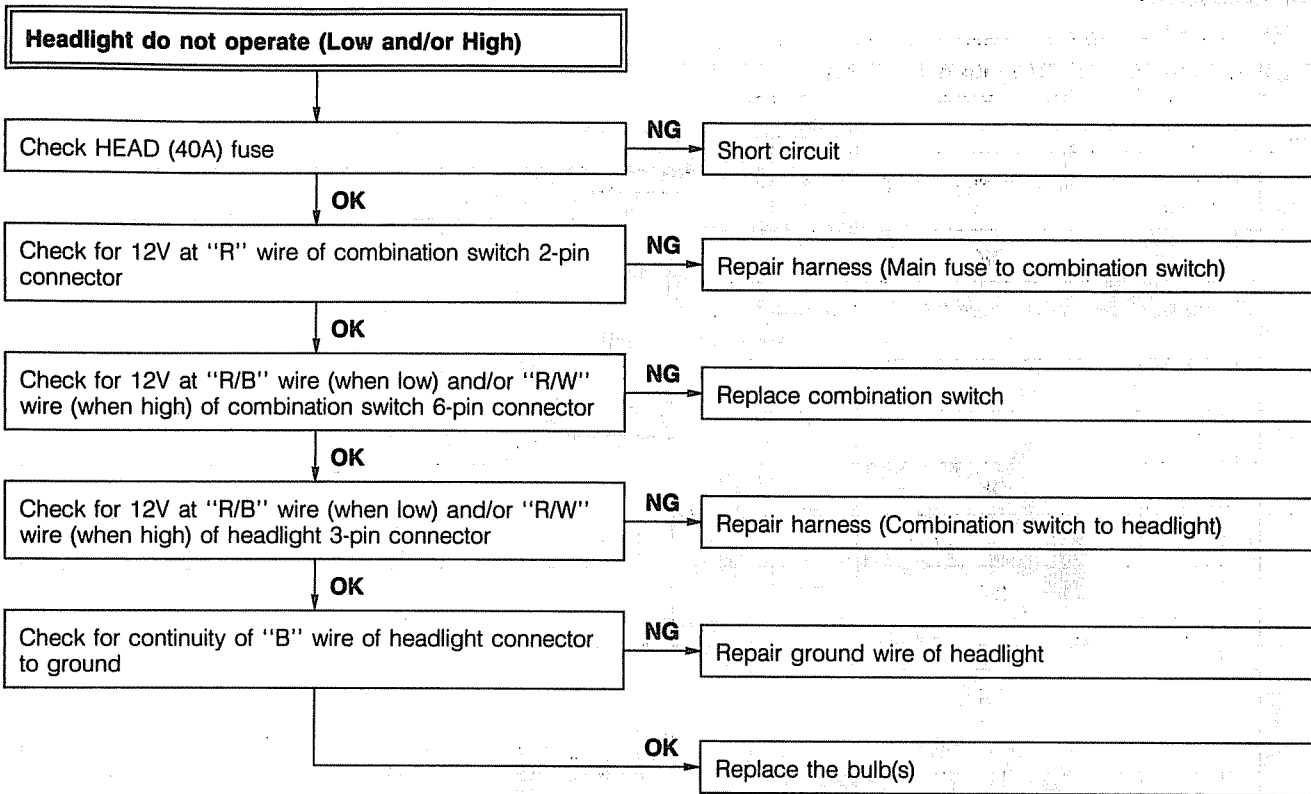
- | | |
|--|--|
| <p>1. Turn signal light
 Troubleshooting page T-29
 Inspection page T-31
 Removal / Installation page T-39</p> <p>2. Stop and taillight
 Troubleshooting page T-32
 Inspection page T-34
 Removal / Installation page T-39</p> <p>3. Side marker light
 Removal / Installation page T-39</p> <p>4. Back-up light
 Removal / Installation page T-39</p> | <p>5. License plate light
 Removal / Installation page T-42</p> <p>6. High mounted stoplight (with spoiler)
 Removal / Installation page T-43</p> <p>7. High mounted stoplight (without spoiler)
 Removal / Installation page T-43</p> <p>8. Luggage compartment light
 Removal / Installation page T-42</p> |
|--|--|

HEADLIGHTS ■ FRONT FOG LIGHTS (2 DOOR TURBO)
 ■ DAY TIME RUNNING LIGHT (DRL) CONTROL SYSTEM (CANADA) E-1

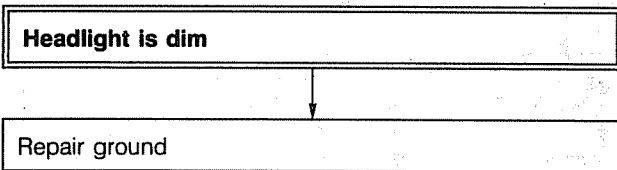


<p>E-01 COMBINATION SWITCH (LIGHT) (D)</p>	<p>E-02 HEADLIGHT RELAY (D)</p>	<p>E-03 DRL CONTROL UNIT (D)</p>	<p>E-04 HEADLIGHT LH (F)</p>	<p>E-05 HEADLIGHT RH (F)</p>	<p>E-06 FRONT FOG LIGHT LH (F)</p>
<p>E-07 FRONT FOG LIGHT RH (F)</p>	<p>E-08 DRL RELAY (F)</p>	<p>E-09 DRL RESISTOR (F)</p>	<p>E-10 FRONT FOG LIGHT SWITCH (I)</p>		

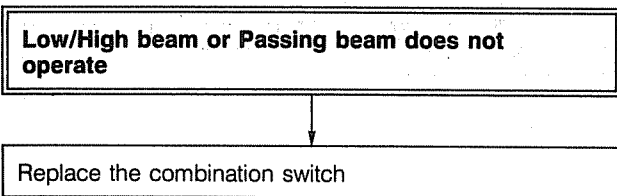
EXTERIOR LIGHTS



06U0TX-016

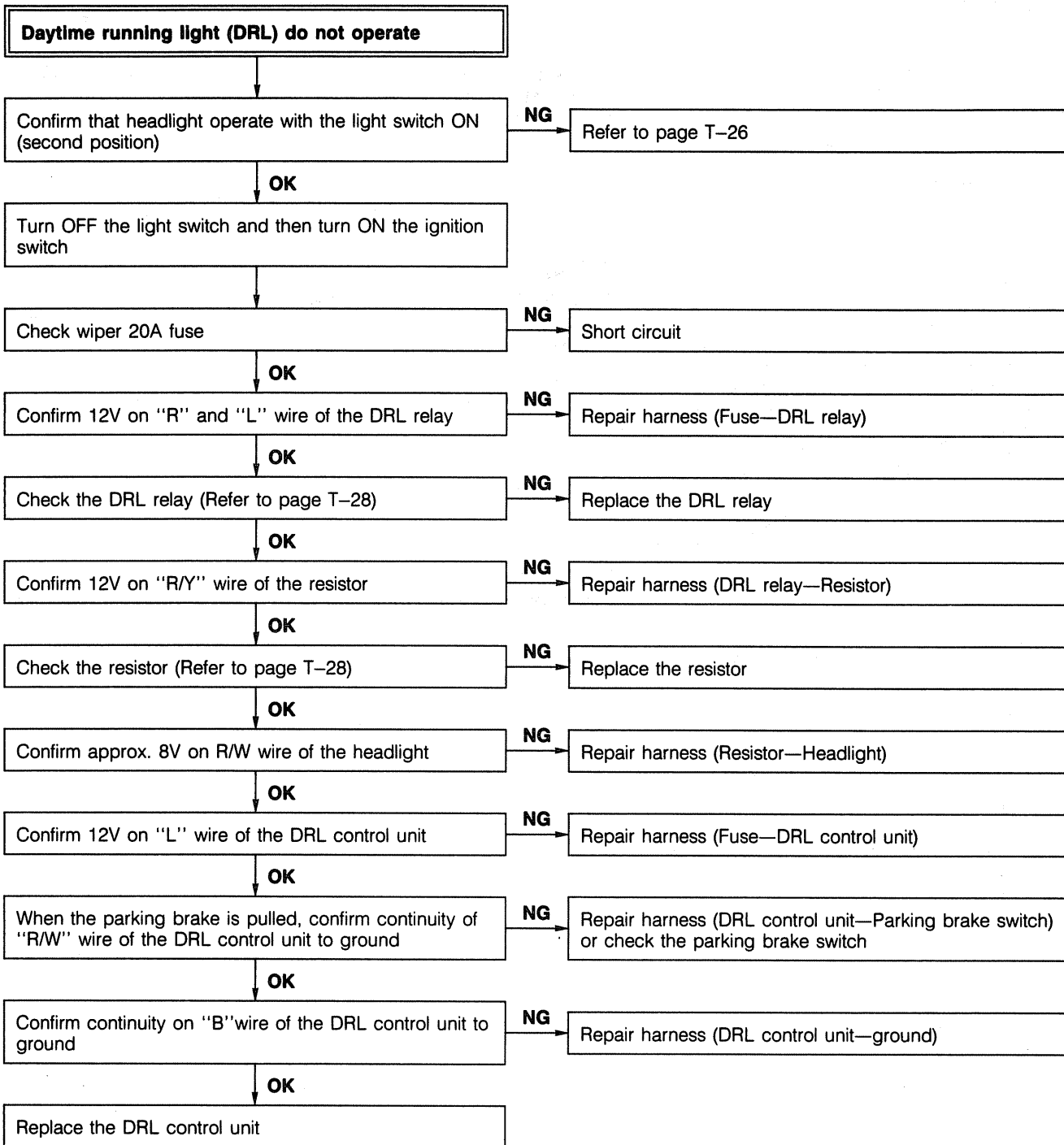


96U15X-071

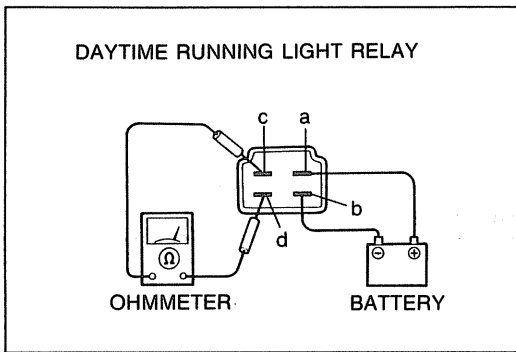


96U15X-72

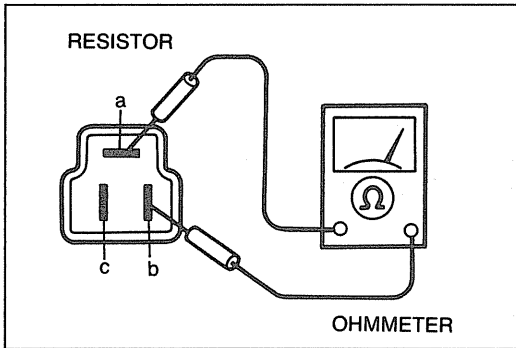
(For CANADA)



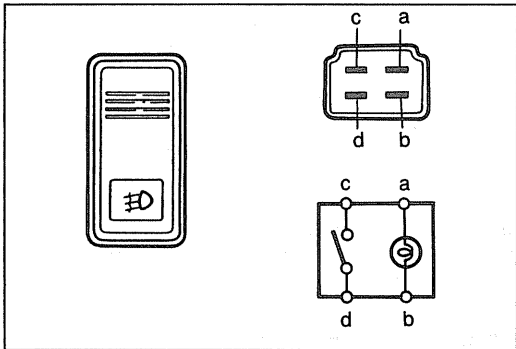
06U0TX-017



06U0TX-018



06U0TX-019



06U0TX-020

Inspection

Daytime Running Light Relay (for Canada)

1. Connect the daytime running light relay, battery and an ohmmeter as shown in the figure.
2. First check that there is continuity, then disconnect the battery and check that there is no continuity.
3. If the continuity is not specified, replace the relay.

Resistor (for Canada)

1. Check for resistance with an ohmmeter.

Resistance: approximately 0.6Ω

2. If the resistance is not specified, replace the resistor.

Front Fog Light Switch

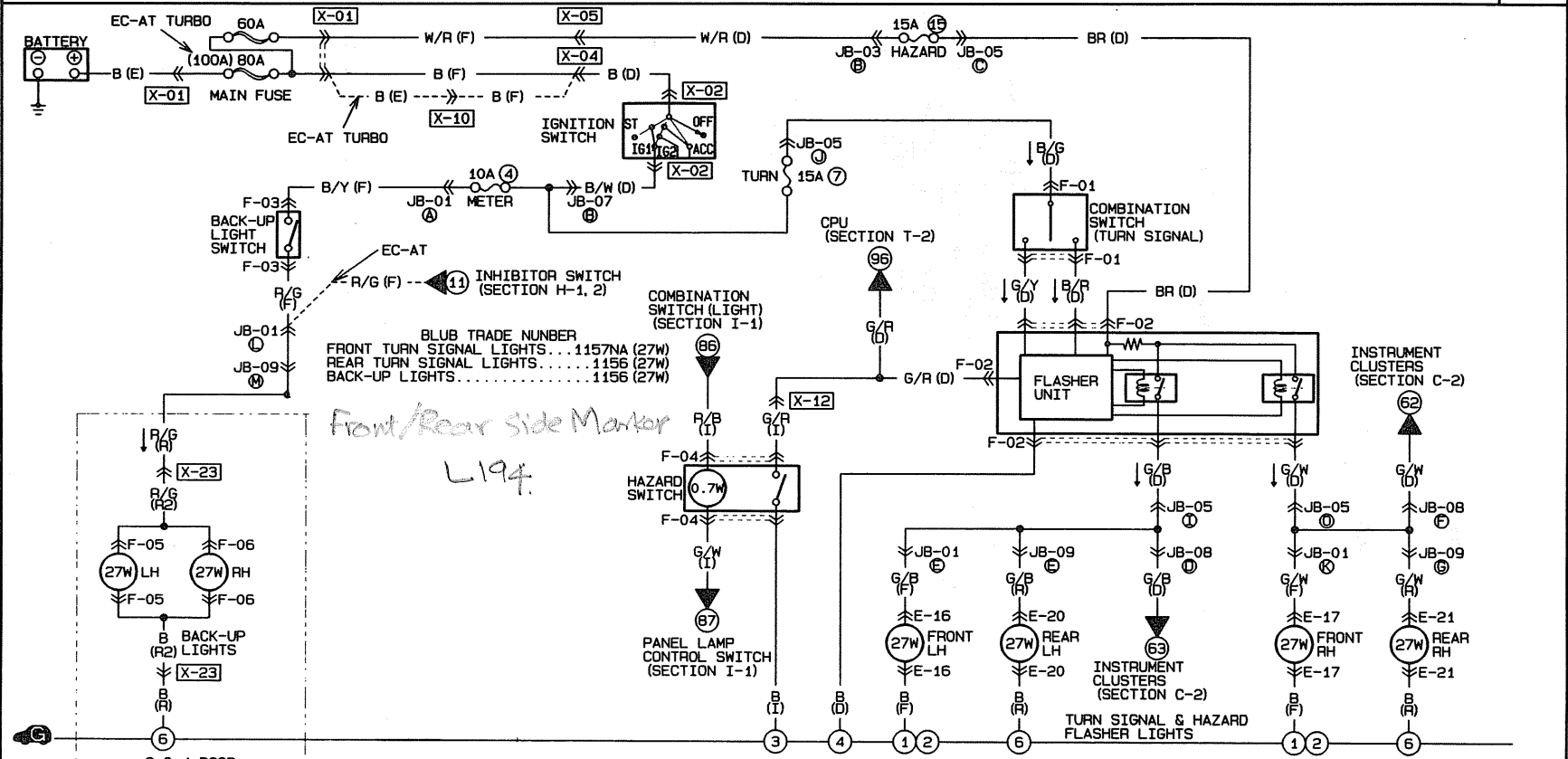
1. Check for continuity between the terminals using an ohmmeter.

Terminal	a	b	c	d
Position OFF			○—○	○—○
Position ON	○—○	○—○		

○—○: Indicates continuity

2. If continuity is not as specified, replace the switch.

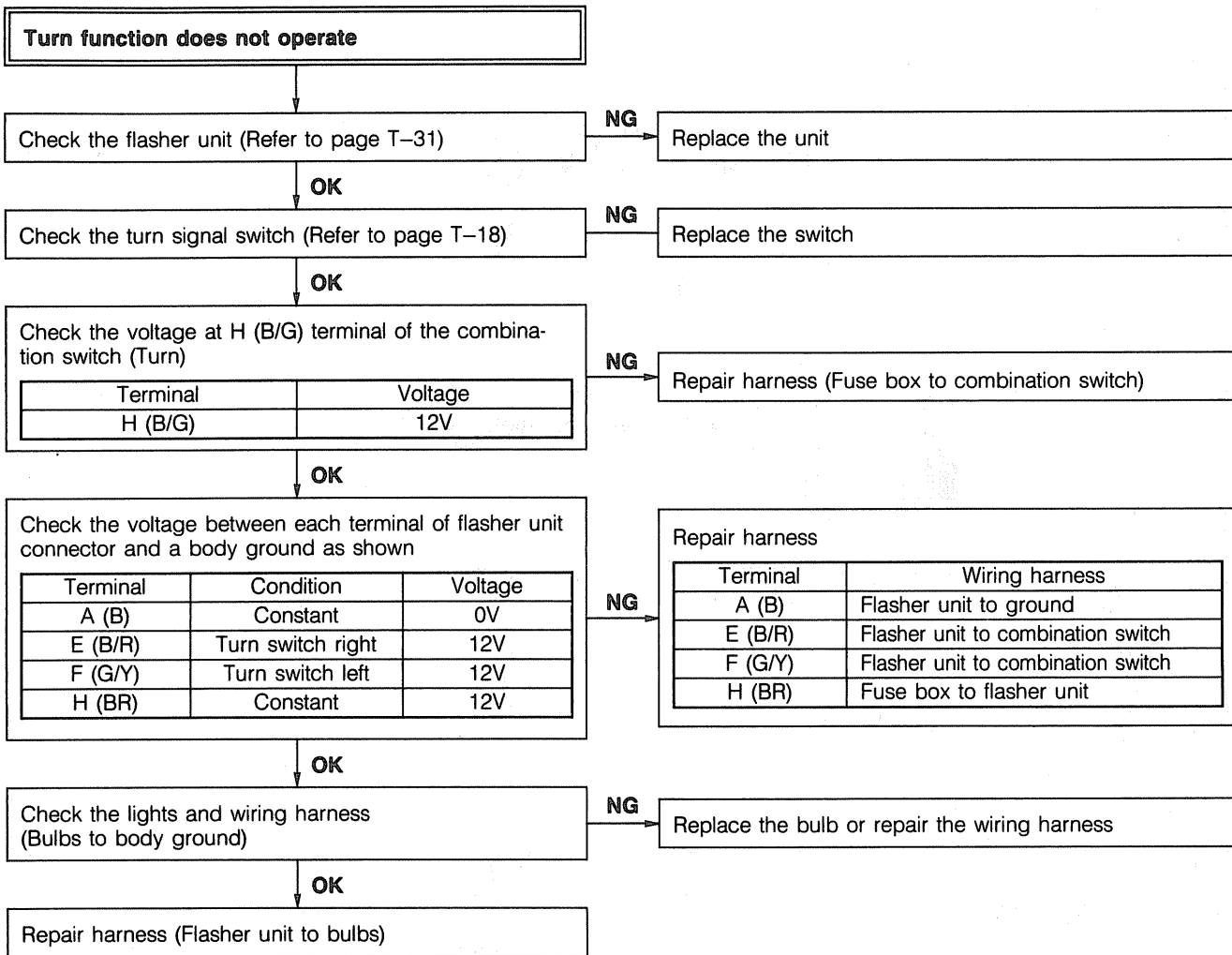
■ TURN SIGNAL & HAZARD FLASHER LIGHTS ■ BACK-UP LIGHTS F-1



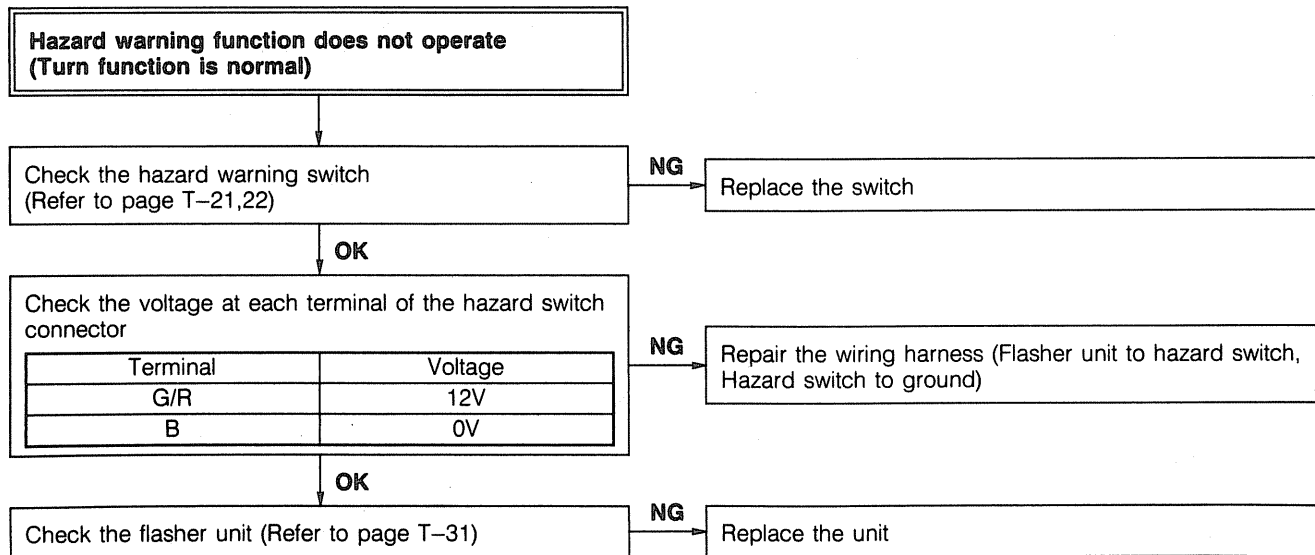
<p>F-01 COMBINATION SWITCH (TURN SIGNAL) (D)</p> <table border="1"> <tr><td>G/Y</td><td>*</td><td>*</td><td>*</td></tr> <tr><td>B/G</td><td>B/R</td><td>*</td><td>*</td></tr> </table>	G/Y	*	*	*	B/G	B/R	*	*	<p>F-02 FLASHER UNIT (D)</p> <table border="1"> <tr><td>G/W</td><td>B/R</td><td>G/R</td><td>B</td></tr> <tr><td>BR</td><td>G/Y</td><td>G/B</td><td>*</td></tr> </table>	G/W	B/R	G/R	B	BR	G/Y	G/B	*	<p>F-03 BACK-UP LIGHT SWITCH (F)</p> <table border="1"> <tr><td>B/Y</td><td>*</td><td>MTX</td></tr> <tr><td>R/G</td><td>*</td><td></td></tr> </table>	B/Y	*	MTX	R/G	*		<p>F-04 HAZARD SWITCH (I)</p> <table border="1"> <tr><td>R/B</td><td>*</td></tr> <tr><td>G/W</td><td>B</td><td>G/R</td></tr> </table> <p>2 & 4 DOOR</p>	R/B	*	G/W	B	G/R	<p>F-05 BACK-UP LIGHT LH (R)</p> <table border="1"> <tr><td>B</td><td>R/G</td></tr> </table> <p>2 & 4 DOOR</p>	B	R/G	<p>F-06 BACK-UP LIGHT RH (R)</p> <table border="1"> <tr><td>B</td><td>R/G</td></tr> </table> <p>2 & 4 DOOR</p>	B	R/G	<p>E-16 FRONT TURN SIGNAL LIGHT LH (F)</p> <table border="1"> <tr><td>R/B</td></tr> <tr><td>B</td><td>G/B</td></tr> </table>	R/B	B	G/B
G/Y	*	*	*																																					
B/G	B/R	*	*																																					
G/W	B/R	G/R	B																																					
BR	G/Y	G/B	*																																					
B/Y	*	MTX																																						
R/G	*																																							
R/B	*																																							
G/W	B	G/R																																						
B	R/G																																							
B	R/G																																							
R/B																																								
B	G/B																																							
<p>E-17 FRONT TURN SIGNAL LIGHT RH (F)</p> <table border="1"> <tr><td>R/B</td></tr> <tr><td>B</td><td>G/W</td></tr> </table>	R/B	B	G/W	<p>E-20 REAR COMBINATION LIGHT LH (R)</p> <table border="1"> <tr><td>R/B</td><td>*</td><td>G/B</td></tr> <tr><td>B</td><td>W/L</td><td>G</td></tr> </table>	R/B	*	G/B	B	W/L	G	<p>E-21 REAR COMBINATION LIGHT RH (R)</p> <table border="1"> <tr><td>R/B</td><td>*</td><td>G/W</td></tr> <tr><td>B</td><td>W/L</td><td>G</td></tr> </table>	R/B	*	G/W	B	W/L	G																							
R/B																																								
B	G/W																																							
R/B	*	G/B																																						
B	W/L	G																																						
R/B	*	G/W																																						
B	W/L	G																																						

Note

- Check the TURN 15A and HAZARD 15A fuses in the fuse box before troubleshooting.



06U0TX-022



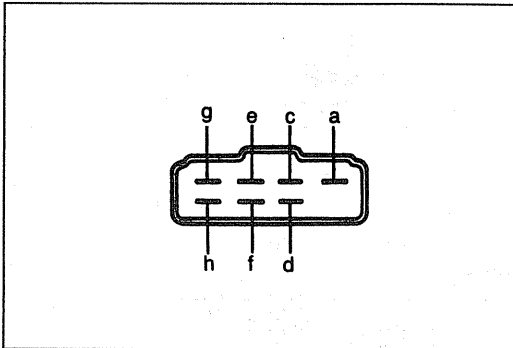
06U0TX-023

Rapid flashing



Check the bulbs and wiring harness between bulbs and a body ground (rapid flashing side)

96U15X-064



06U0TX-024

Inspection Flasher Unit

1. Check for continuity between terminals of the flasher unit.

Terminal	Continuity	Terminal	Continuity	Terminal	Continuity
a-c	X	d-e	X	f-g	X
a-d	X	d-f	X	f-h	X
a-e	○	d-g	X	g-a	X
a-f	○	d-h	X	g-c	X
a-g	X	e-a	X	g-d	X
a-h	X	e-c	X	g-e	X
c-a	○	e-d	X	g-f	X
c-d	○	e-f	X	g-h	X
c-e	○	e-g	X	h-a	○
c-f	○	e-h	X	h-c	○
c-g	○	f-a	X	h-d	○
c-h	○	f-c	X	h-e	○
d-a	X	f-d	X	h-f	○
d-c	X	f-e	X	h-g	○

○: Indicates continuity X: No continuity

Note

- Set the ohmmeter to x1000Ω range.

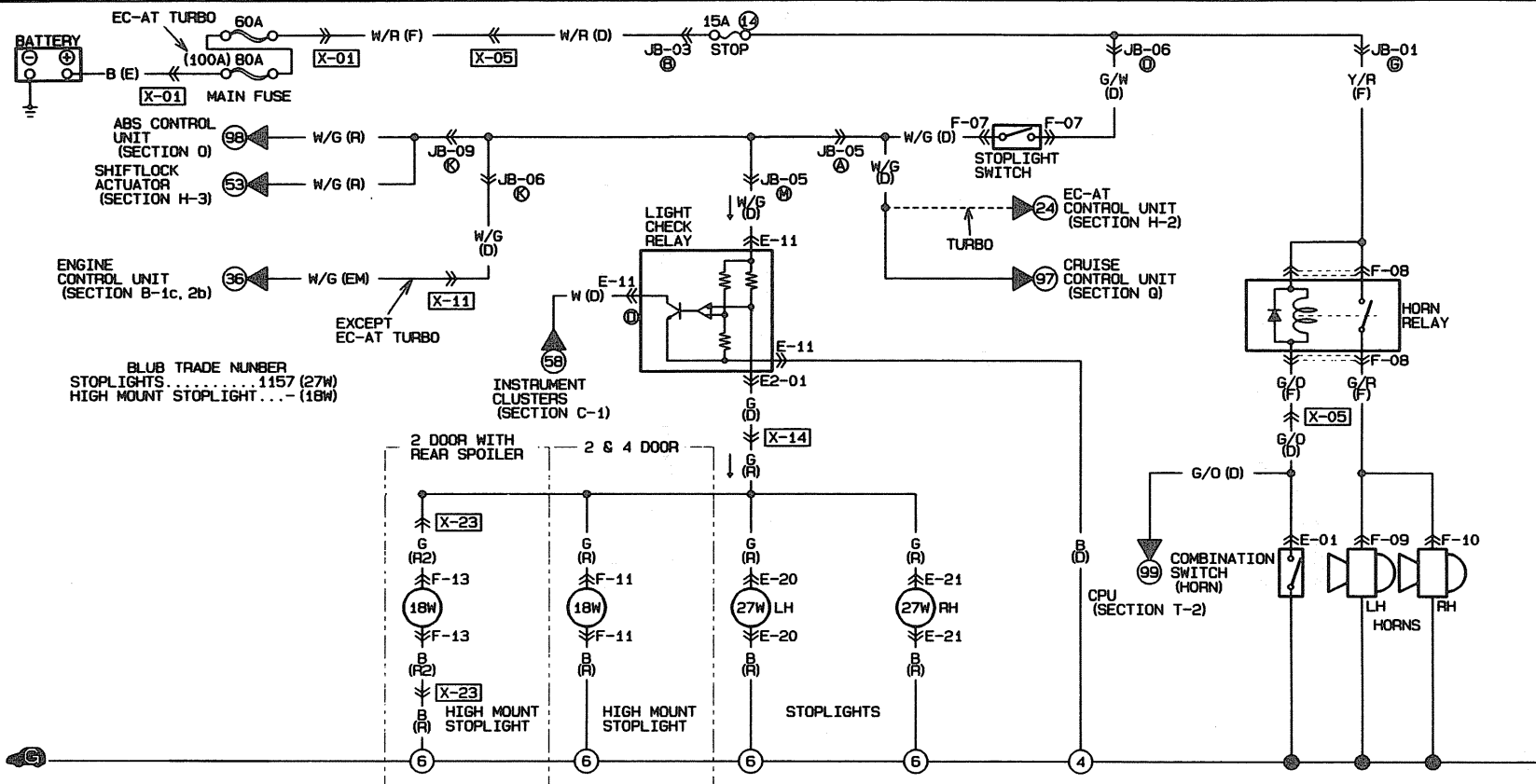
2. If continuity is not as specified, replace the switch.

■ STOPLIGHTS ■ HIGH MOUNT STOPLIGHT ■ HORNS

F-2

STOPLIGHT
Troubleshooting

EXTERIOR LIGHTS

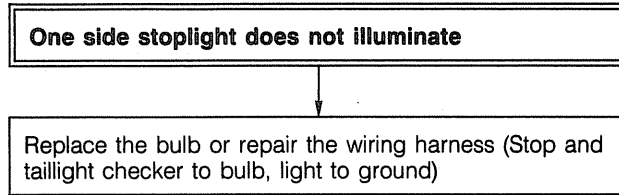


BLUB TRADE NUMBER
STOPLIGHTS...1157 (27W)
HIGH MOUNT STOPLIGHT... (18W)

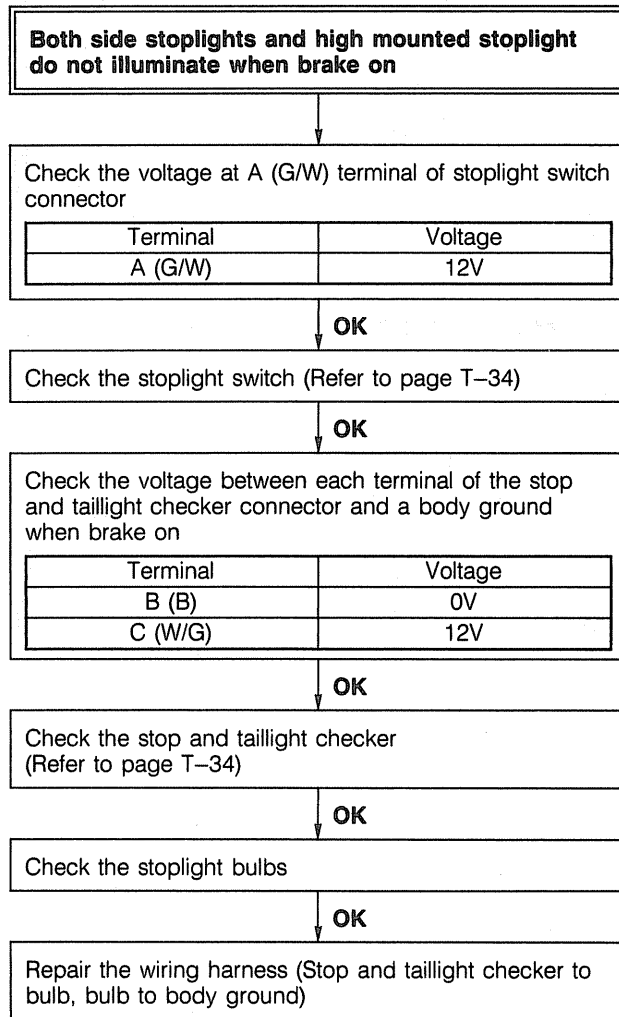
<p>F-07 STOPLIGHT SWITCH (D)</p>	<p>F-08 HORN RELAY (F)</p>	<p>F-09 HORN LH (F)</p>	<p>F-10 HORN RH (F)</p>	<p>F-11 HIGH MOUNT STOPLIGHT (R)</p>	
<p>F-13 HIGH MOUNT STOPLIGHT (R2)</p>	<p>E-01 COMBINATION SWITCH (HORN) (D)</p>	<p>E-11 LIGHT CHECK RELAY (D)</p>	<p>E-20 STOPLIGHT LH (R)</p>	<p>E-21 STOPLIGHT RH (R)</p>	

Note

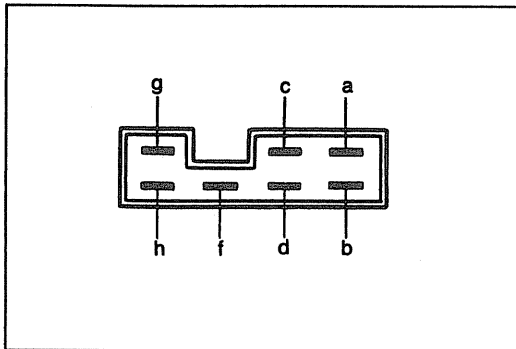
- Check the STOP 15A fuse in the fuse box before troubleshooting



96U15X-067



06U0TX-026



06U0TX-027

Inspection
Stop And Taillight Checker

1. Check for continuity between terminals of the stop- and taillight checker.

Terminal		Continuity	Terminal		Continuity	Terminal		Continuity
+	-		+	-		+	-	
a	b	○	c	d	X	f	g	X
a	c	○	c	f	○	f	h	○
a	d	X	c	g	X	g	a	○
a	f	○	c	h	○	g	b	○
a	g	X	d	a	○	g	c	○
a	h	○	d	b	○	g	d	X
b	a	○	d	c	○	g	f	○
b	c	○	d	f	○	g	h	○
b	d	X	d	g	X	h	a	○
b	f	○	d	h	○	h	b	○
b	g	X	f	a	○	h	c	○
b	h	○	f	b	○	h	d	X
c	a	○	f	c	○	h	f	○
c	b	○	f	d	X	h	g	X

○: Indicates continuity X: No continuity

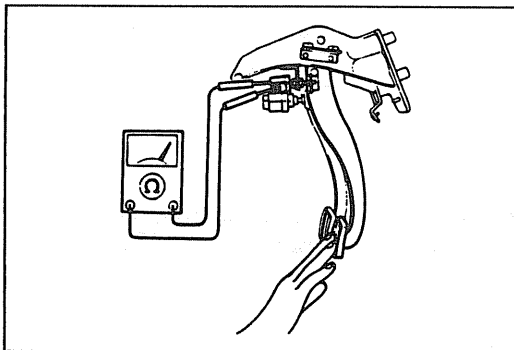
Note

- Set the tester to x1000Ω range.

2. If continuity is not as specified, replace the checker.

Stoplight Switch (For stoplight)

1. Disconnect the stoplight switch connector.
2. Check for continuity between terminals of the switch.



06U0TX-028

Position	Terminal	
	a	b
Pedal depressed	○ — ○	○ — ○
Pedal released		

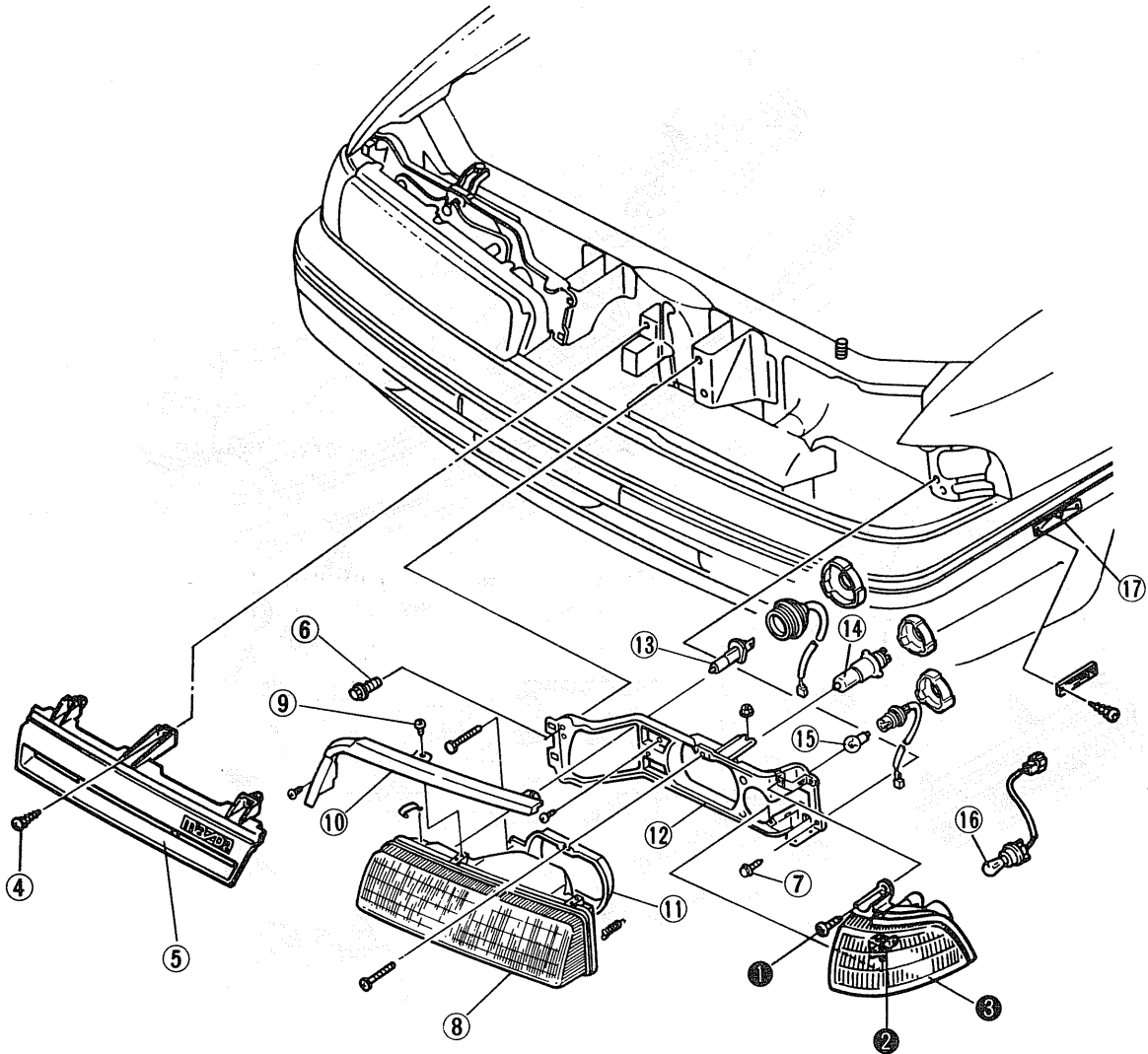
○ — ○ : Indicates continuity

REMOVAL / INSTALLATION

Headlight and combination light

1. Disconnect the negative battery cable.
2. Remove in the sequence shown in the figure, referring to removal note for the specially marked parts.
3. Install in the reverse order of removal.

MX-6



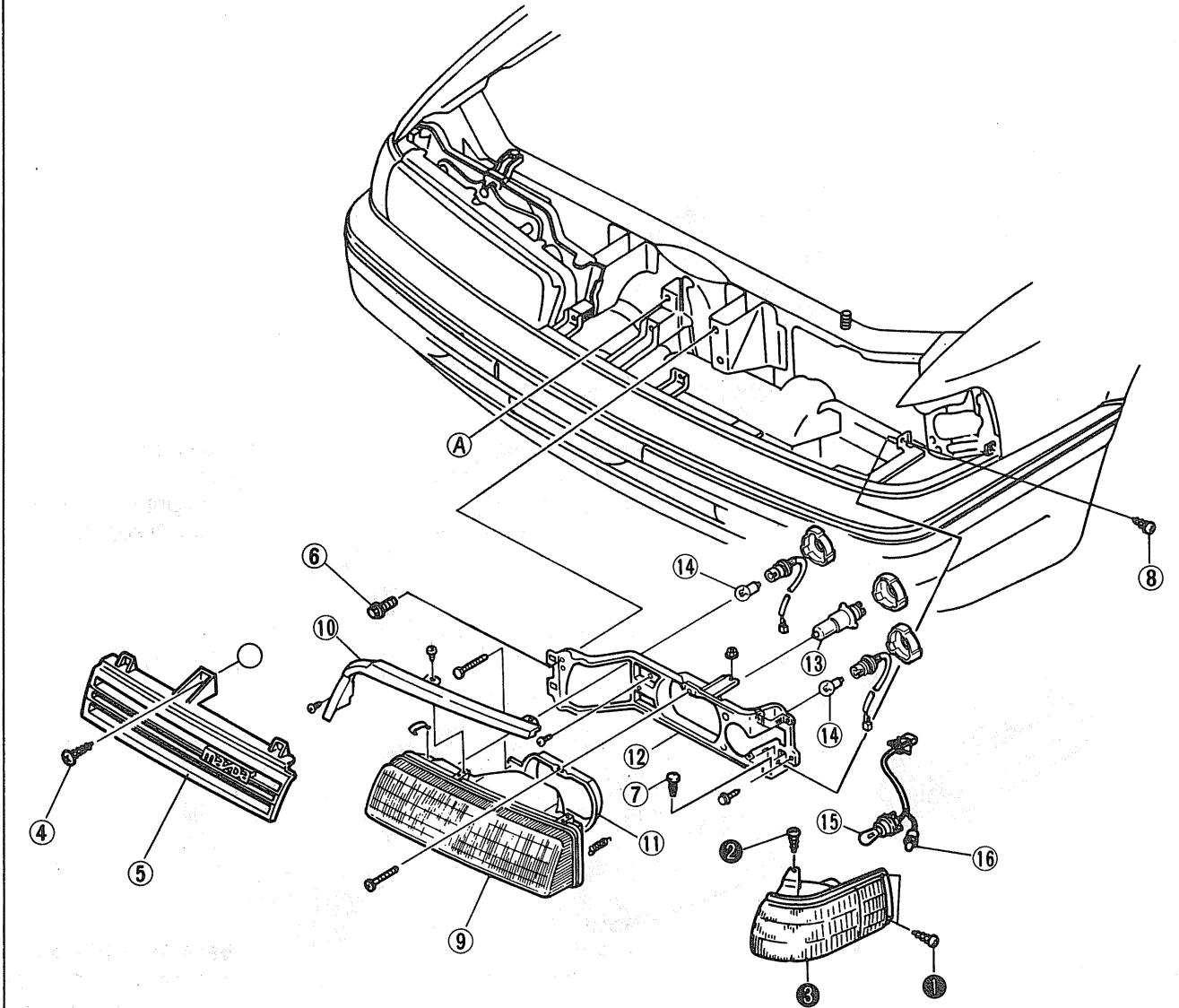
06U0TX-029

1. Screw
2. Screw
3. Turn signal light assembly
4. Screw
5. Radiator grille
6. Bolt

7. Bolts
8. Headlight unit
9. Screws
10. Light garnish
11. Headlight mounting ring
12. Housing

13. Fog light bulb 55W
14. Headlight bulb 65/45W (9004)
15. Parking light bulb 8W (67)
16. Turn signal light bulb 27/8 (1157 NA)
17. Side marker light bulb 3.8W

SEDAN

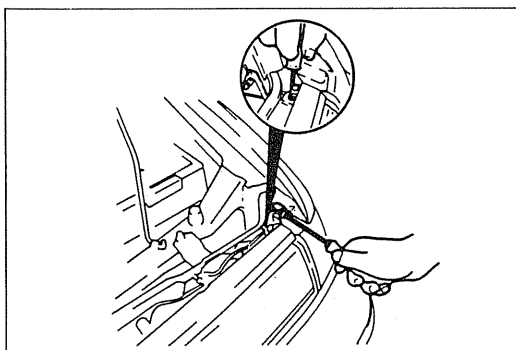


96U14X-005

- 1. Screw
- 2. Screw
- 3. Turn signal light assembly
- 4. Screw
- 5. Radiator grille
- 6. Bolts

- 7. Fastener
- 8. Screw
- 9. Headlight unit
- 10. Light garnish
- 11. Headlight mounting ring
- 12. Housing

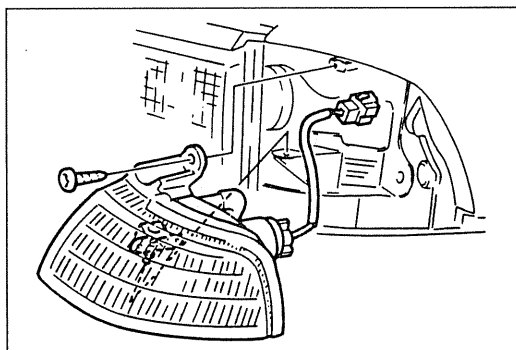
- 13. Headlight bulb 65/45W (9004)
- 14. Parking light bulb 8W (67)
- 15. Turn signal light bulb 27/8 (1157 NA)
- 16. Side marker light bulb 5W



86U14X-069

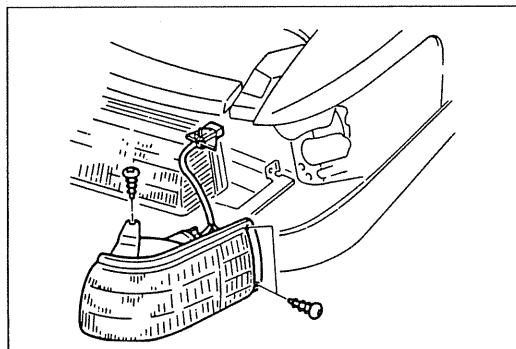
Removal Note Turn signal light (MX-6)

1. Remove the screws shown in the figure.
2. Disconnect the turn signal light connector.



86U14X-070

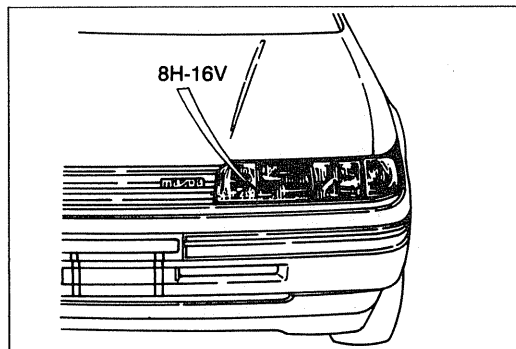
3. Remove the turn signal light assembly.



86U14X-071

Turn signal light (sedan and touring sedan)

1. Remove the screws shown in the figure.
2. Disconnect the turn signal and parking light connector.
3. Remove the turn signal and parking light assembly.



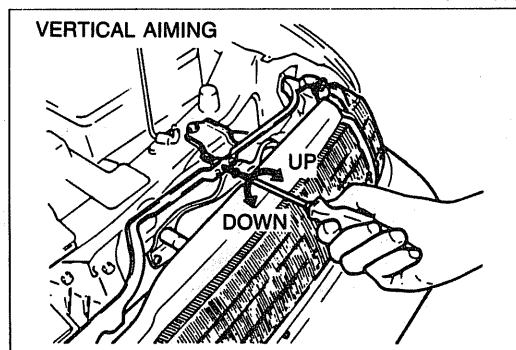
96U14X-006

AIMING Headlight

1. Adjust the tire air pressure to specification.
2. Position the unloaded vehicle on a flat, level surface.

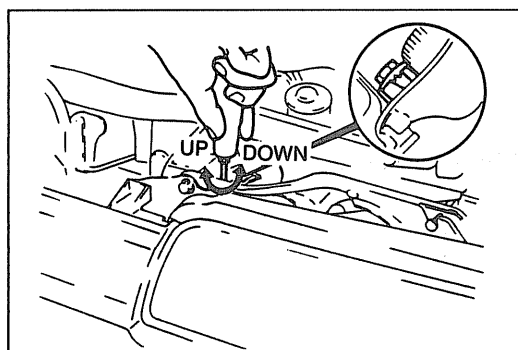
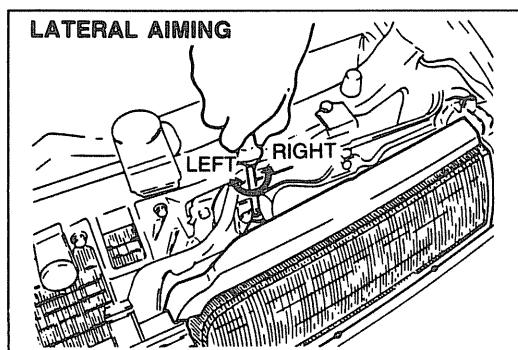
Note

- Adjust, using specification numbers 8H-16V (found on headlight lens) with a "HOPPY" brand aimer or equivalent.



86U14X-074

3. Adjust the headlights to meet local regulations.
To adjust, turn the two adjusting screws.

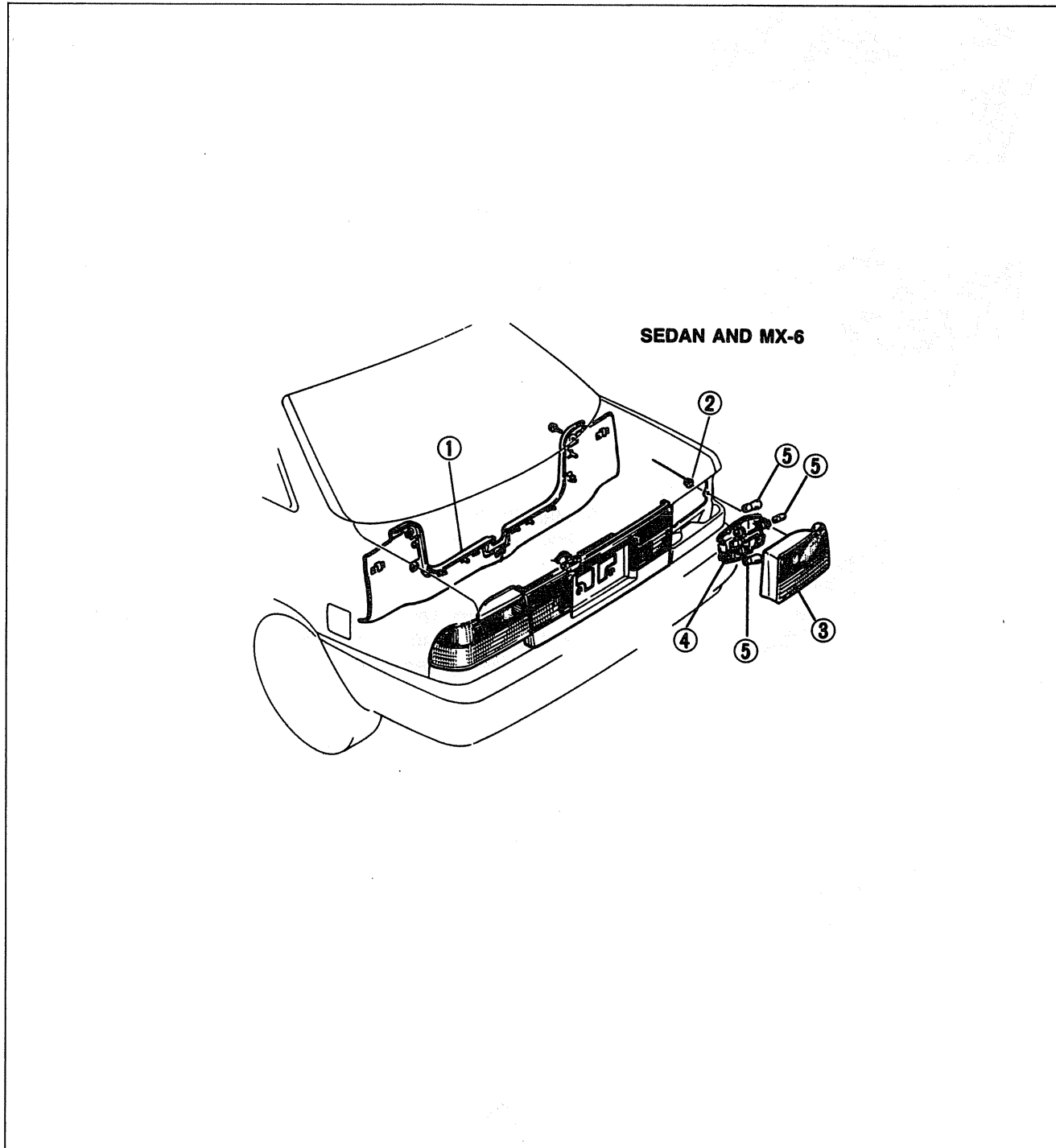


Fog light (MX-6)
To adjust, turn the adjusting screw.

86U14X-075

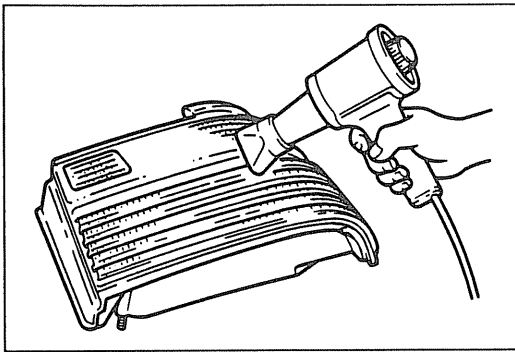
Rear Combination Light

1. Disconnect the negative battery cable.
2. Remove in the sequence shown in the figure.
3. Install in the reverse order of removal.

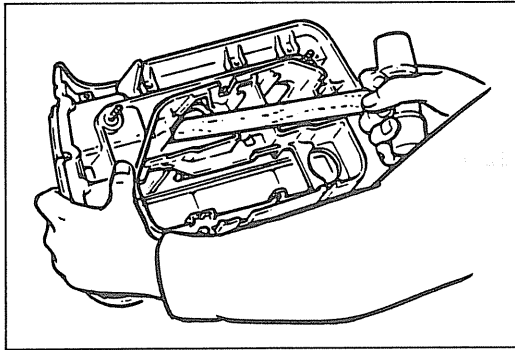


Sedan and MX-6

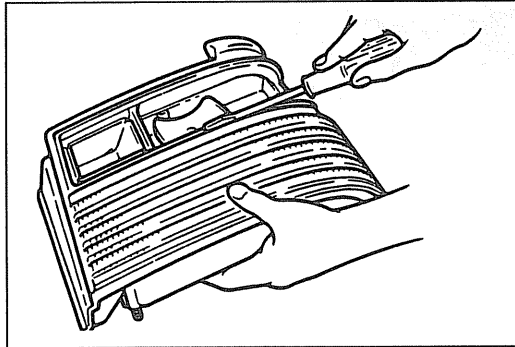
1. End trim
2. Nuts
3. Lens and body
4. Cover
5. Bulb: Turn signal light 27W (1156)
 Stoplight and taillight 27/8W (1157)
 Side marker light 5W (168)



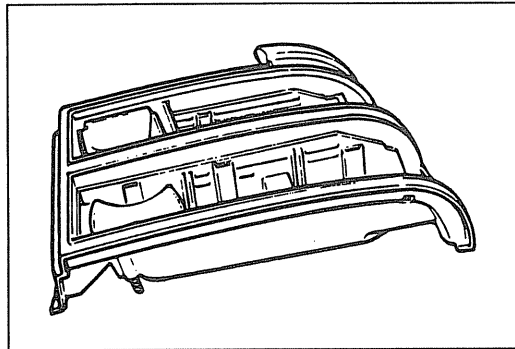
86U14X-077



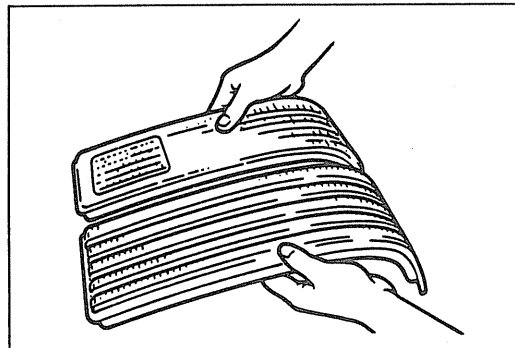
76U14X-034



86U14X-078



86U14X-079



86U14X-080

REPLACEMENT OF REAR COMBINATION LIGHT LENS

1. Use a hot air blower to soften the "hot melt" (bonding agent) around the lens.

2. Remove the lens from the light housing by pushing the rear of the lens with a hammer handle or round bar.

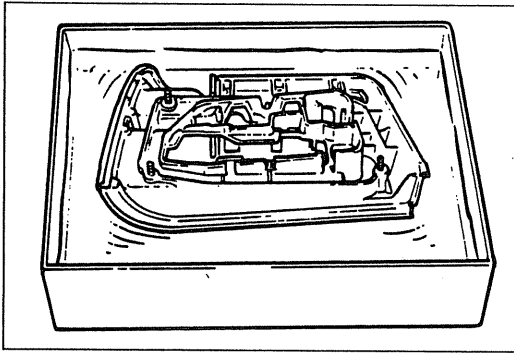
3. Heat the light housing, and remove the "hot melt" and any fragments of the lens.

Note

- The "hot melt" should be reused if possible.
- If the "hot melt" can be reused, the following step is unnecessary.

4. Put **Uni-sealer** (8531 77 739) adhesive in the light housing groove.

5. Fit the new lens onto the light housing. Press the lens firmly so that it will adhere.

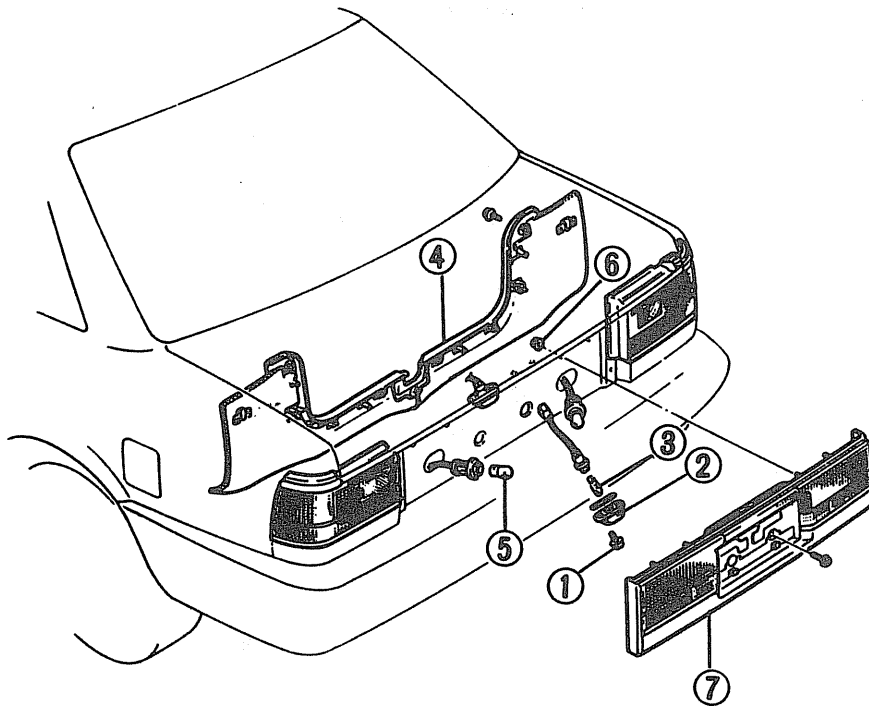


06U0TX-124

6. Immerse the combination light in water to check for leaks.

License Plate Light and Luggage Compartment Light

1. Disconnect the negative battery cable.
2. Remove in the sequence shown in the figure.
3. Install in the reverse order of removal.

SEDAN AND MX-6

06U0TX-031

Sedan and MX-6
License plate light

1. Screws
2. Lens
3. Bulb 5W x 2

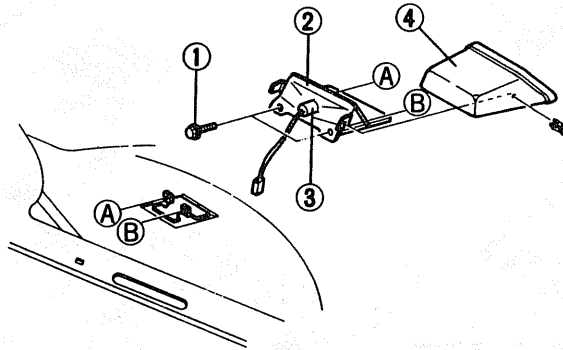
Back-up light

4. End trim
5. Bulb 27W (1156)
6. Nuts
7. Rear finisher

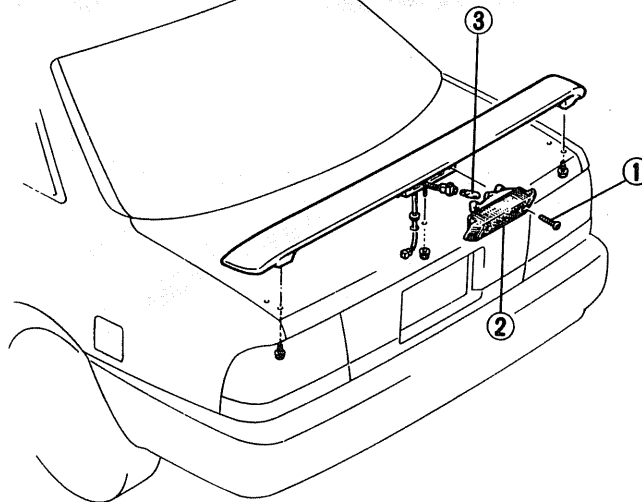
High Mounted Stoplight

1. Disconnect the negative battery cable.
2. Remove in the sequence shown in the figure.
3. Install in the reverse order of removal.

SEDAN AND MX-6



MX-6



1. Screw
2. Lens

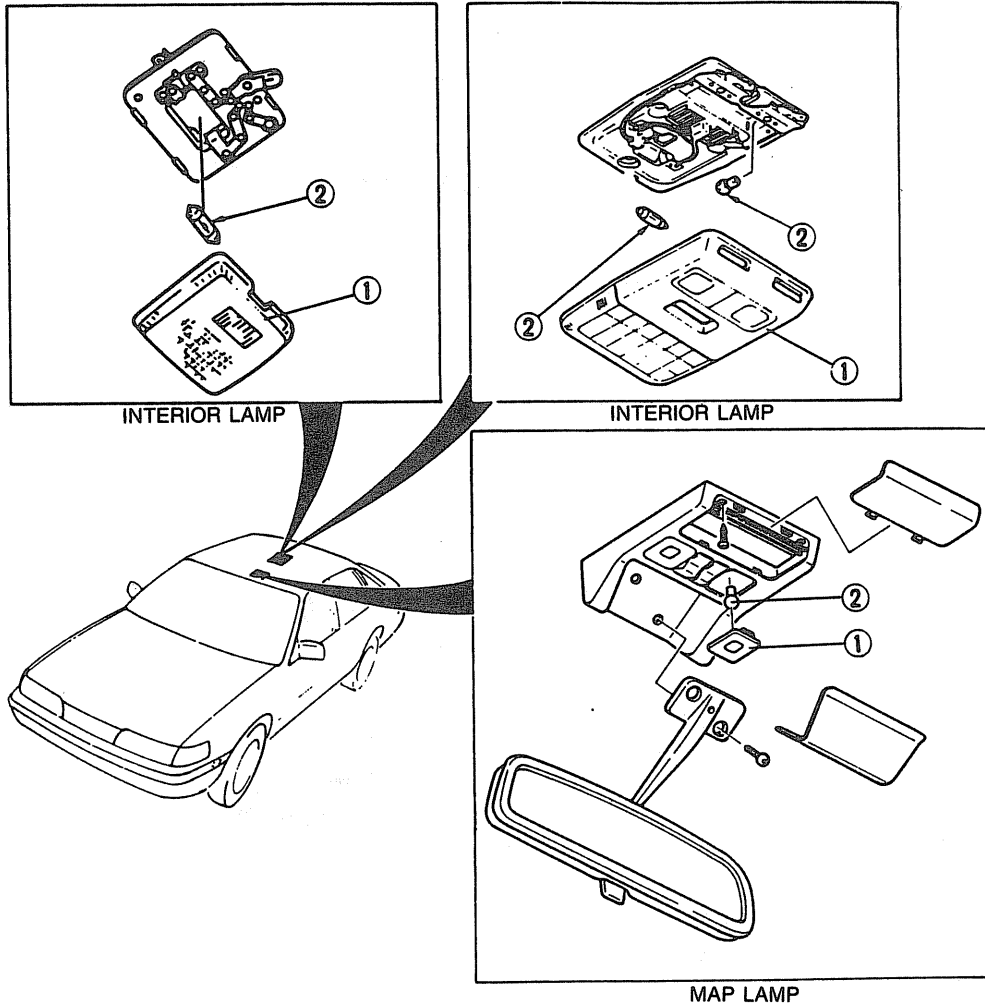
3. Bulb 18W
4. Cover

06U0TX-032

INTERIOR LAMP

REMOVAL / INSTALLATION

1. Disconnect the negative battery cable.
2. Remove in the sequence shown in the figure.
3. Install in the reverse order of removal.



16U0TX-016

Interior Lamp

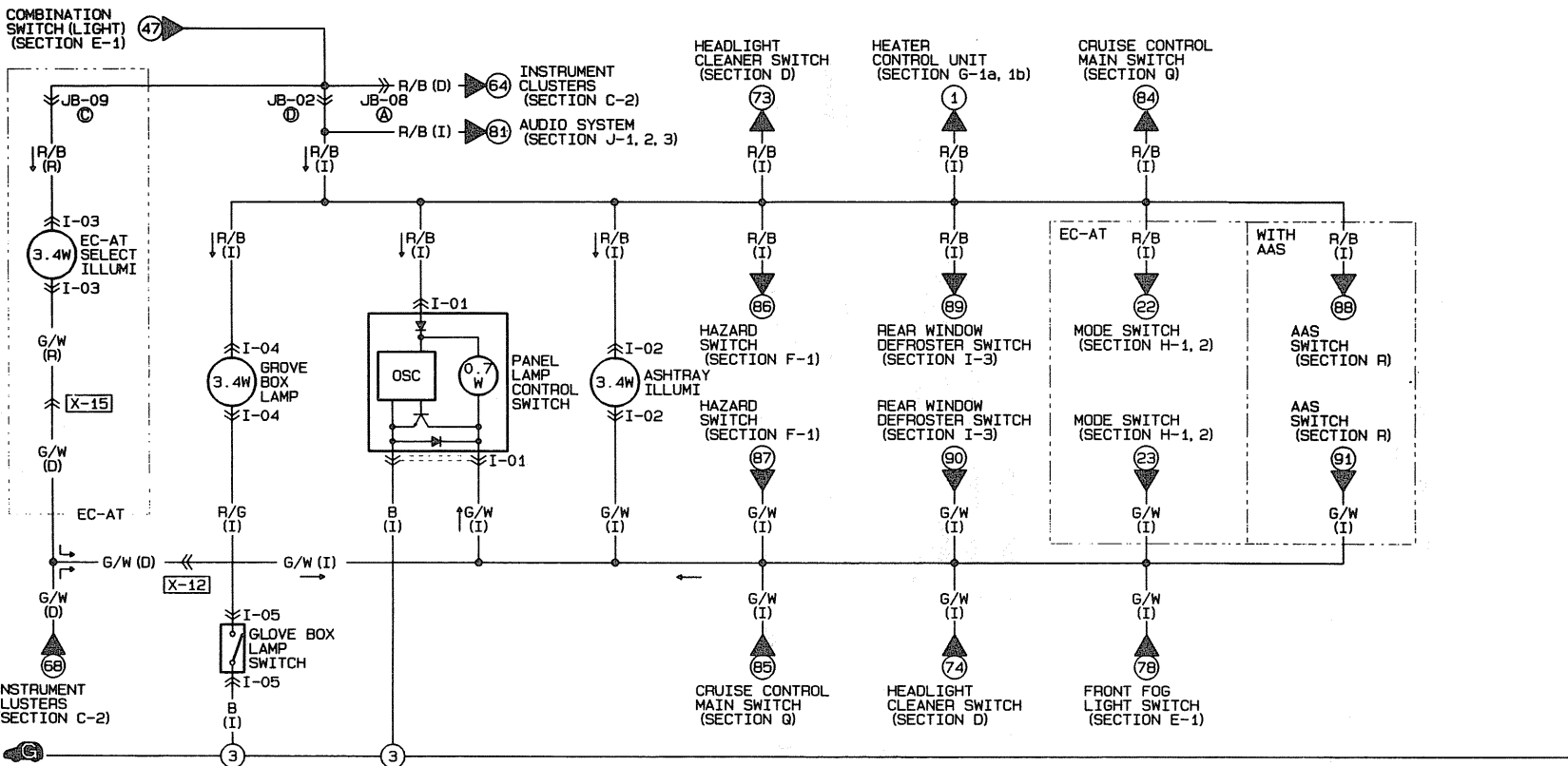
1. Lens
2. Bulb 10W

Map Lamp

1. Lens
2. Bulb 8W

ILLUMINATION LAMPS CONTROL SYSTEM

I-1



<p>I-01 PANEL LAMP CONTROL SWITCH (I)</p>	<p>I-02 ASHTRAY ILLUMI (I)</p>	<p>I-03 EC-AT SELECT ILLUMI (R)</p>	<p>I-04 GLOVE BOX LAMP (I)</p>	<p>I-05 GLOVE BOX LAMP SWITCH (I)</p>		

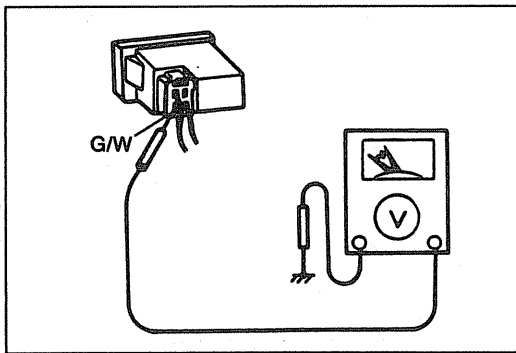
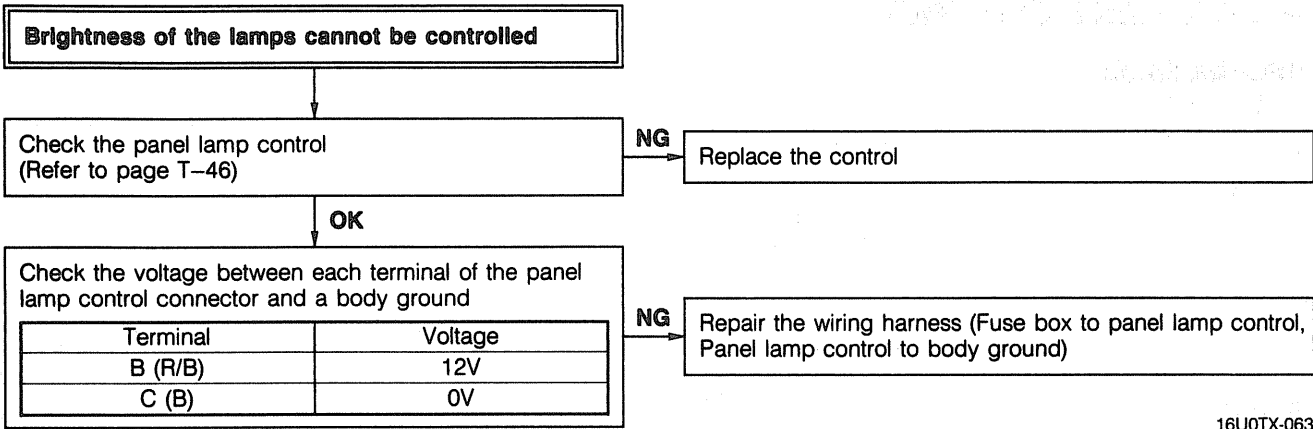
TROUBLESHOOTING

PANEL LAMP CONTROL

PANEL LAMP CONTROL

T

PANEL LAMP CONTROL



INSPECTION

Panel Lamp Control

1. Remove the panel lamp control.
2. Check the voltage at D (G/W) terminal of the panel lamp control.

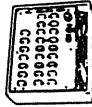
Panel light control	Voltage
Min.	10V
Max.	0V

INSTRUMENT CLUSTER

PREPARATION SST

49 0839 285

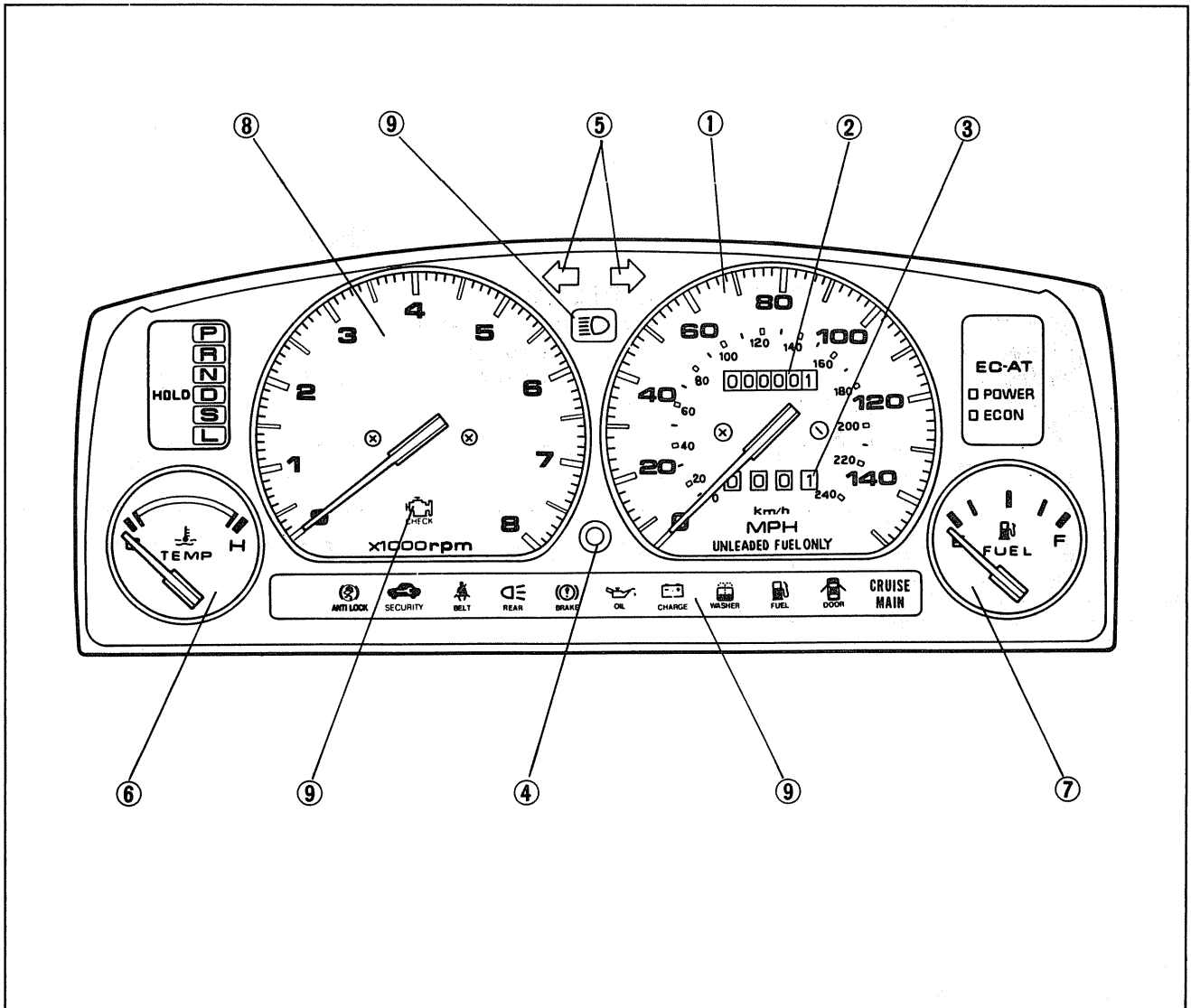
Checker, fuel and
thermometer



For
check fuel and
thermometer

16U0TX-017

STRUCTURAL VIEW

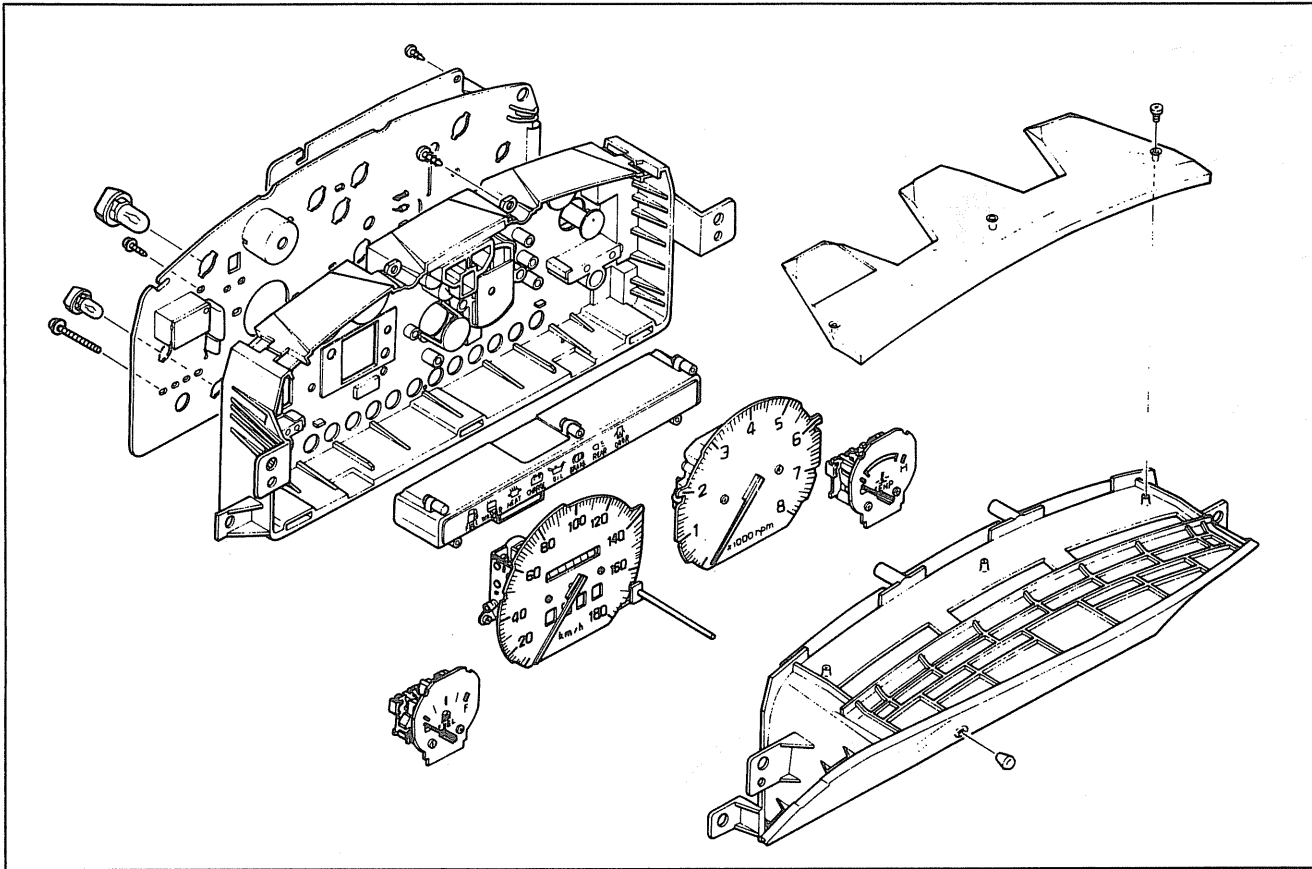


16U0TX-065

- 1. Speedometer
Inspection page T-50
- 2. Odometer
- 3. Tripmeter
- 4. Tripmeter reset knob
- 5. Turn signal and hazard warning flasher
indicator

- 6. Water temperature gauge
Inspection page T-51
- 7. Fuel gauge
Inspection page T-50
- 8. Tachometer
Inspection page T-50
- 9. Warning and indicator
Troubleshooting page T-52

DISASSEMBLY / ASSEMBLY

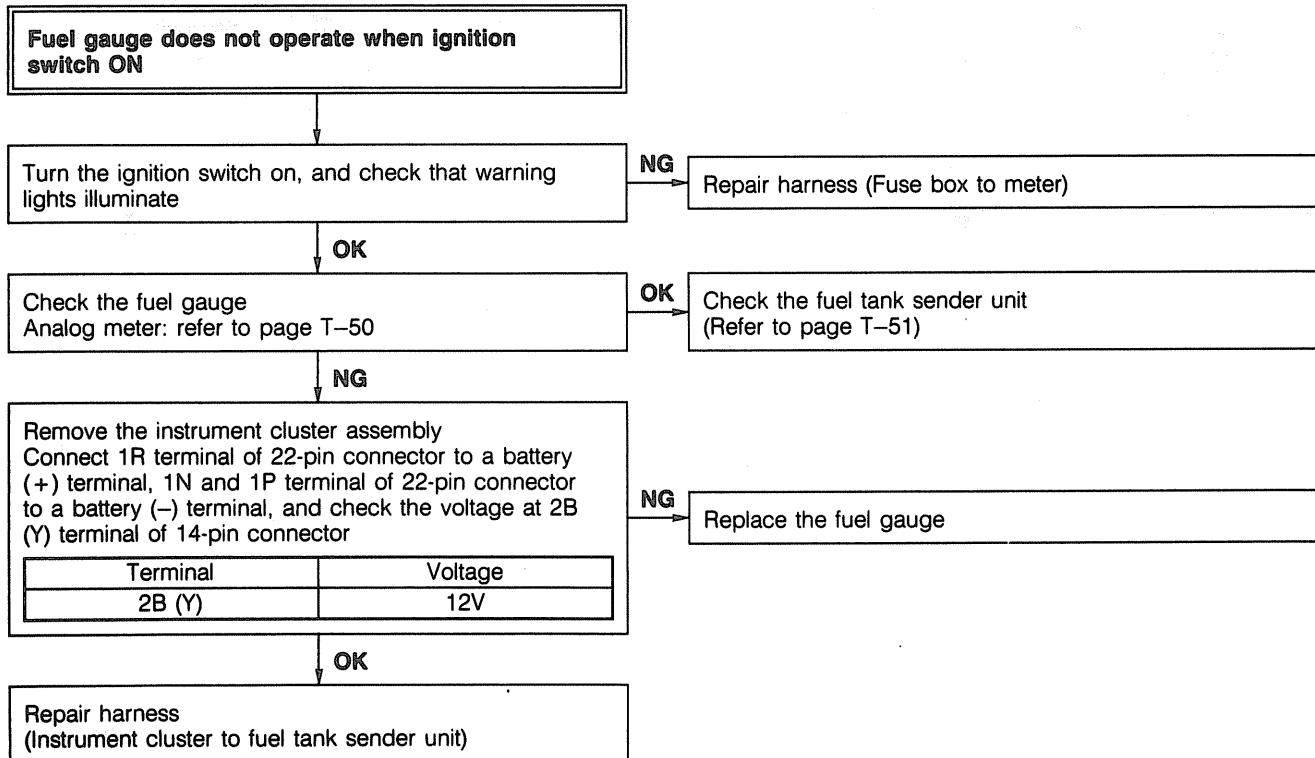


06U0TX-038

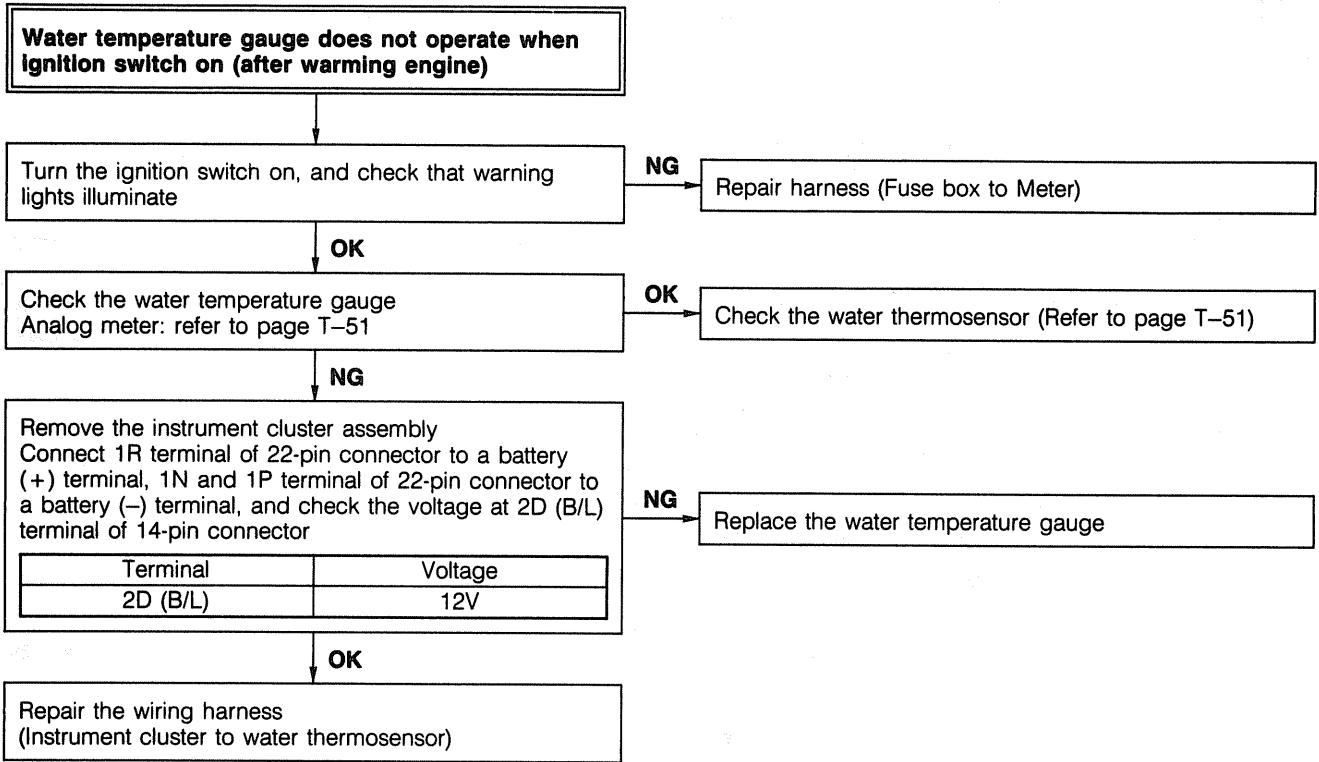
TROUBLESHOOTING

Note

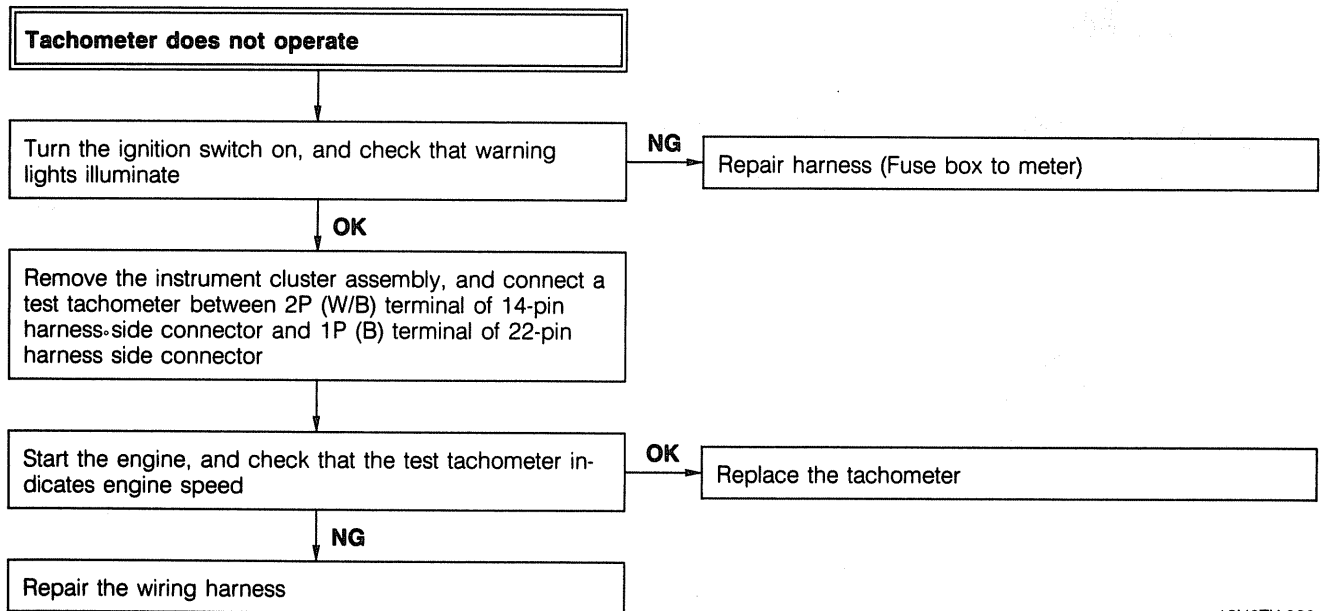
- Check the condition of the METER 15A fuse in the fuse box before troubleshooting.



16U0TX-018



16U0TX-019



16U0TX-020

Standard indication (km/h)	Allowable range (km/h)
40	40— 43
80	50— 84
120	120—126

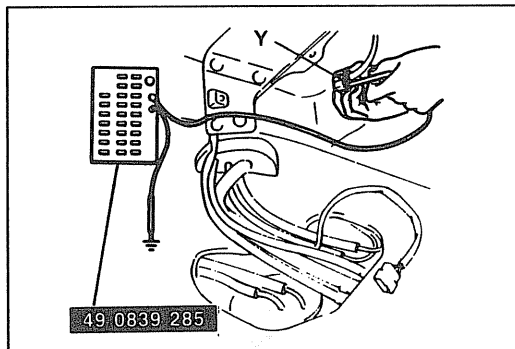
Standard indication (mph)	Allowable range (mph)
30	30—32
50	50—53
80	80—84

16U0TX-021

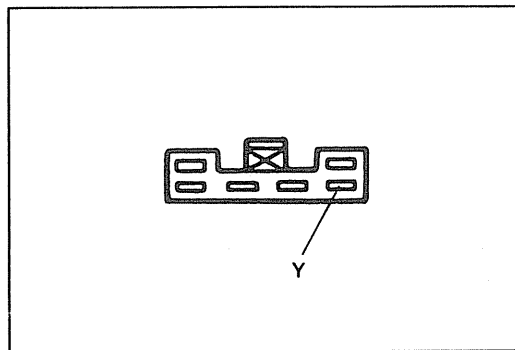
Standard indication (rpm)	Allowable range (rpm)
1,000	880—1060
2,000	1880—2120
3,000	2850—3150
4,000	3820—4180
5,000	4790—5210
6,000	5760—6240

20°C (68°F)

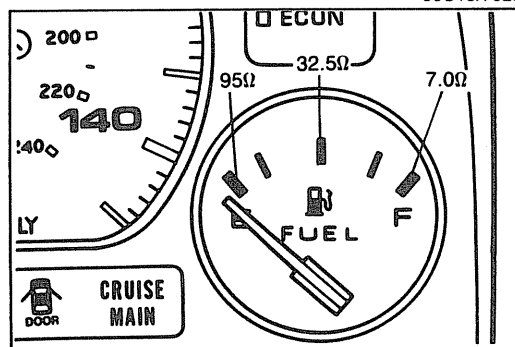
96U15X-021



96U15X-022



96U15X-023



96U15X-024

Inspection of Analog Meter Speedometer

1. Using a speedometer tester, check the speedometer for allowable indication error, and check the operation of the odometer. Replace if necessary.
2. Check the speedometer for fluctuation or abnormal noise.

Caution

- If significant fluctuation occurs, or the speedometer does not move at all, inspect the speedometer cable. If normal, replace the speedometer assembly.
- Tire wear and improper inflation will increase speedometer error.

Tachometer

1. Connect a test tachometer to the engine, and start the engine.
2. Check the tachometer for allowable indicator error. Replace if necessary.

Caution

- When removing or installing the tachometer, be careful not to drop it.

Fuel gauge

1. Disconnect the connector from the fuel tank sender unit.

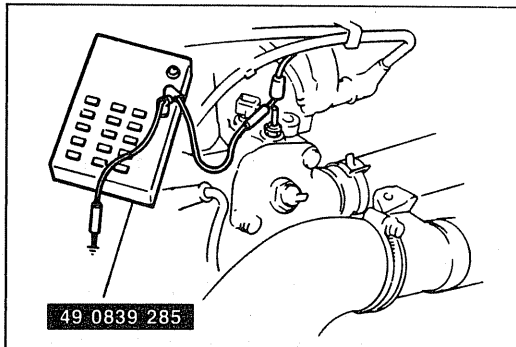
2. Connect the red lead of the SST to terminal Y, and the black lead to a body ground.

3. Set the SST to the resistance values shown in the figure.
4. Turn the ignition switch ON, and check that the indicator displays the correct values.

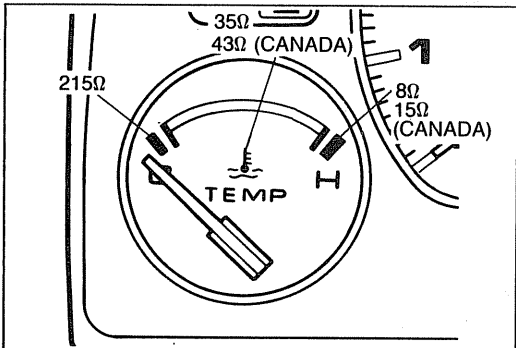
If the needle displays correctly, check the fuel tank sender unit. If not, replace the fuel gauge in the meter or repair the wiring harness.

Caution

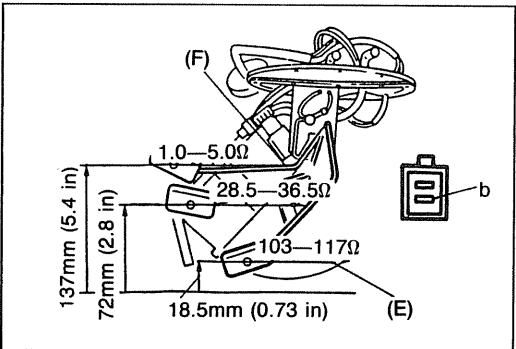
- Perform the above checks for at least two minutes each to correctly judge the condition.
- The allowable indication error is twice the width of the needle.



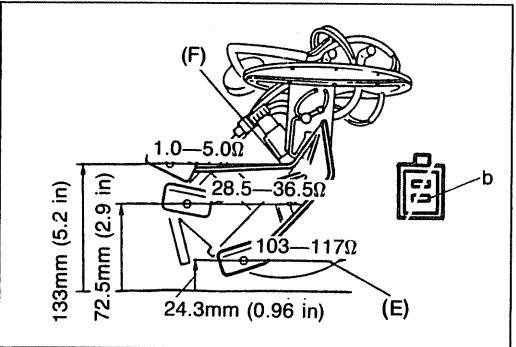
86U15X-034



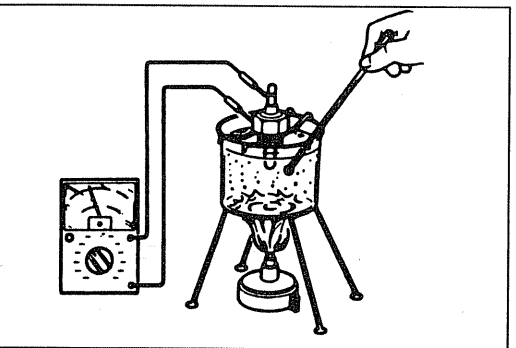
96U15X-025



16U0TX-022



16U0TX-023



96U15X-036

Water temperature gauge

1. Disconnect the connector from the water thermosensor.
2. Connect the red lead of the **SST** to the connector and the black lead to a body ground.

3. Set the **SST** to the resistance values shown in the figure.
4. Turn the ignition switch ON, and check that the indicator displays the correct values.
If the needle displays the correct values, the problem is in the gauge sender unit (water thermosensor); if not, the problem is in the meter or the wiring harness.

Caution

- Perform the above checks for at least two minutes each to correctly judge the condition.
- The allowable indication error is twice the width of the needle.

Inspection of Meter Sender

Fuel tank sender unit (Beginning with JM1 of the VIN)

1. Disconnect the connector from the fuel tank sender unit.
2. Disconnect 4-pin connector of the fuel pump and sender unit assembly.
3. Connect an ohmmeter between "b" terminal of the sender unit side connector and fuel tank sender unit body.
4. Move the arm slowly from point (F) to point (E), and read the resistance values. If not as specified, replace the sender unit.

Fuel tank sender unit (Beginning with 1YV of the VIN)

1. Disconnect the connector from the fuel tank sender unit.
2. Disconnect 4-pin connector of the fuel pump and sender unit assembly.
3. Connect an ohmmeter between "b" terminal of the sender unit side connector and fuel tank sender unit body.
4. Move the arm slowly from point (F) to point (E), and read the resistance values. If not as specified, replace the sender unit.

Water Thermosensor

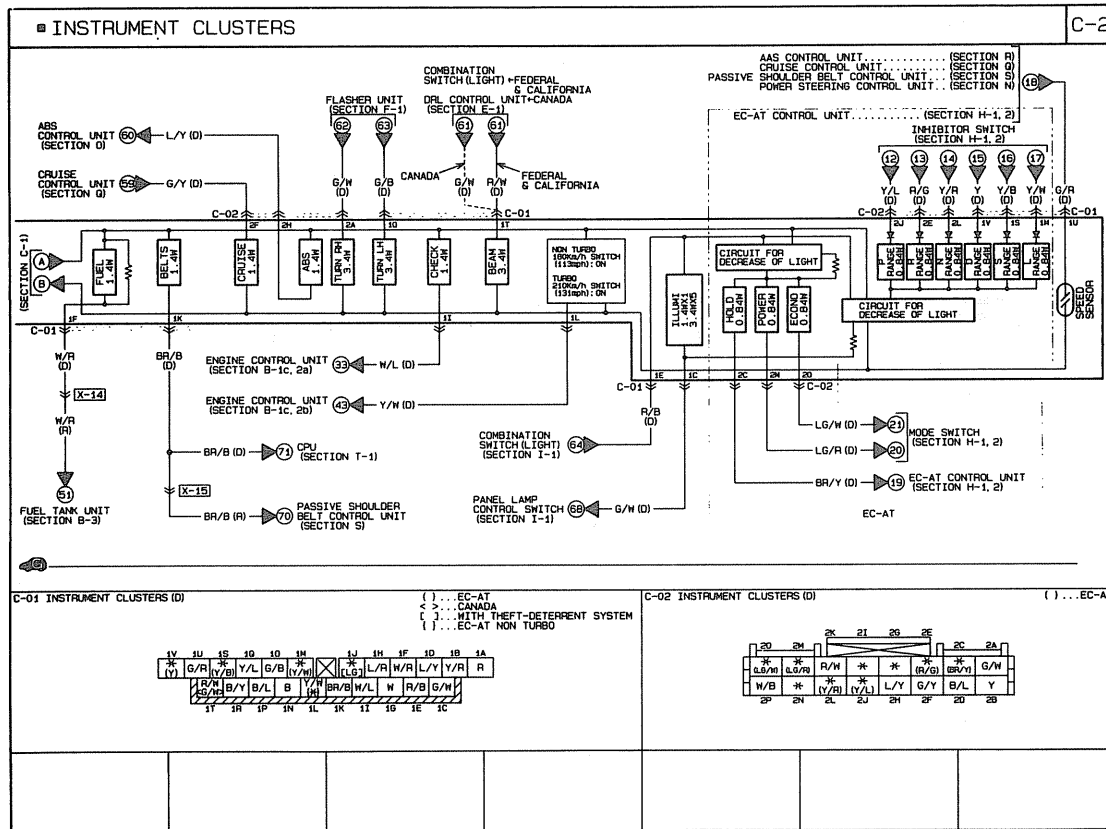
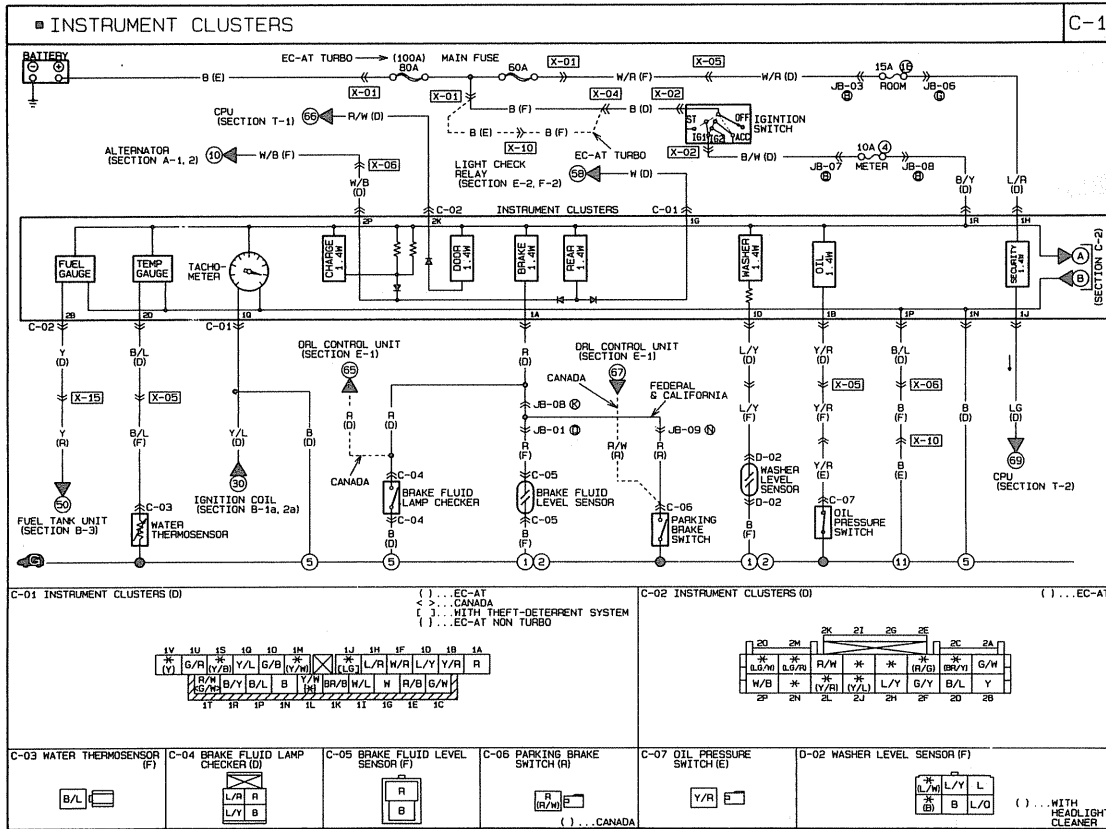
1. Remove the sensor.
2. Place the sensor in water along with a thermometer.
3. Heat the water gradually, and check the resistance of the sensor with an ohmmeter.

Water temperature	Resistance
80°C (176°F)	49.3—57.7Ω

WARNING LIGHTS AND SENDERS

TROUBLESHOOTING

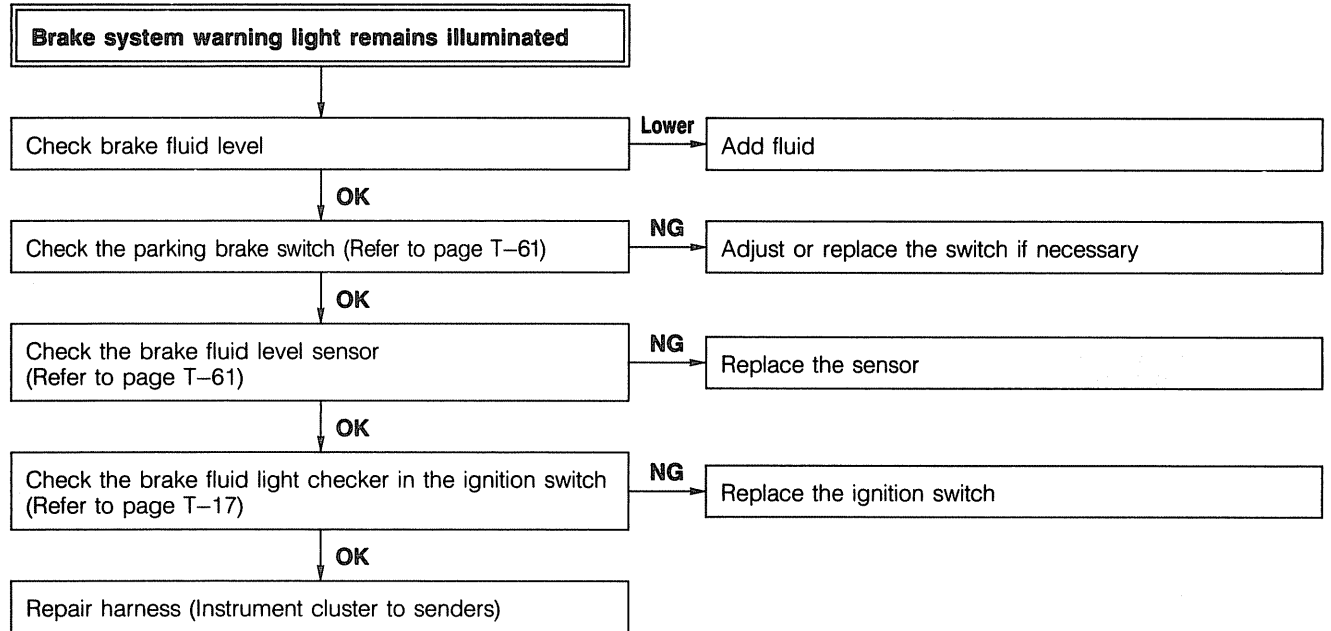
CIRCUIT DIAGRAM



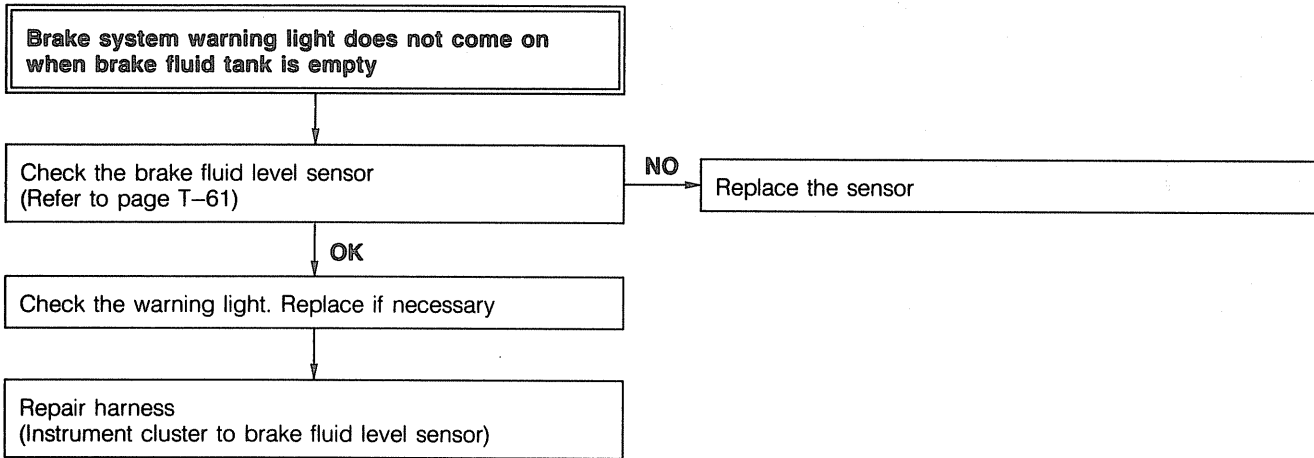
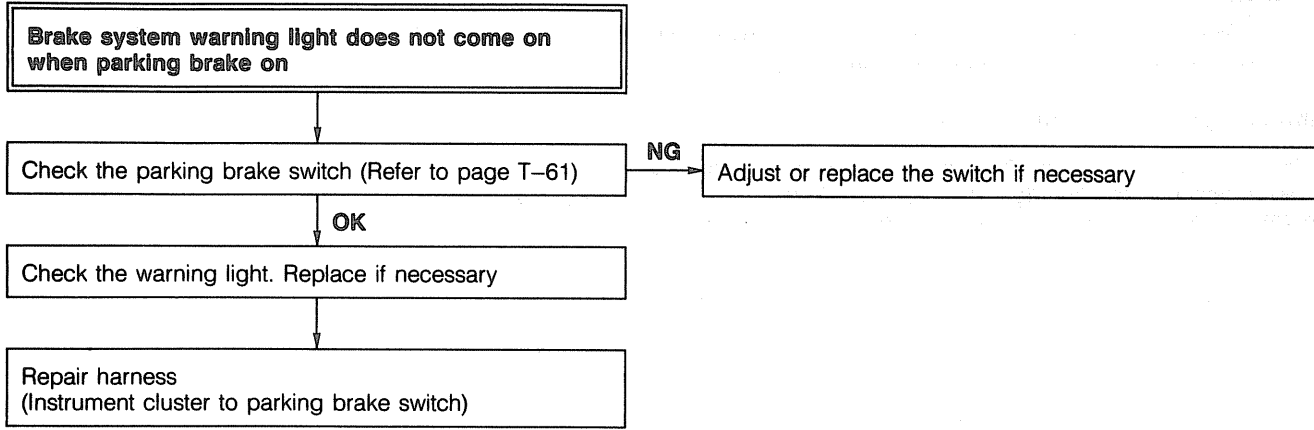
Note

- Check the "Meter 10A" fuse in the fuse box before troubleshooting. If normal, refer to the following troubleshooting chart.

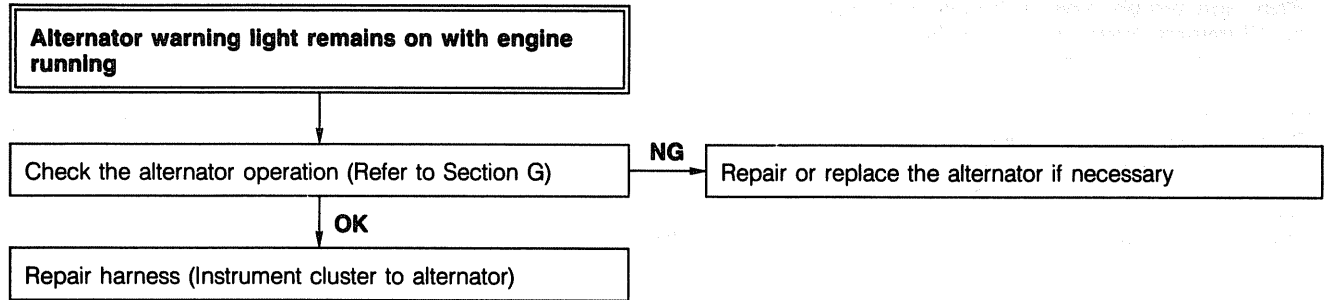
Brake System Warning Light



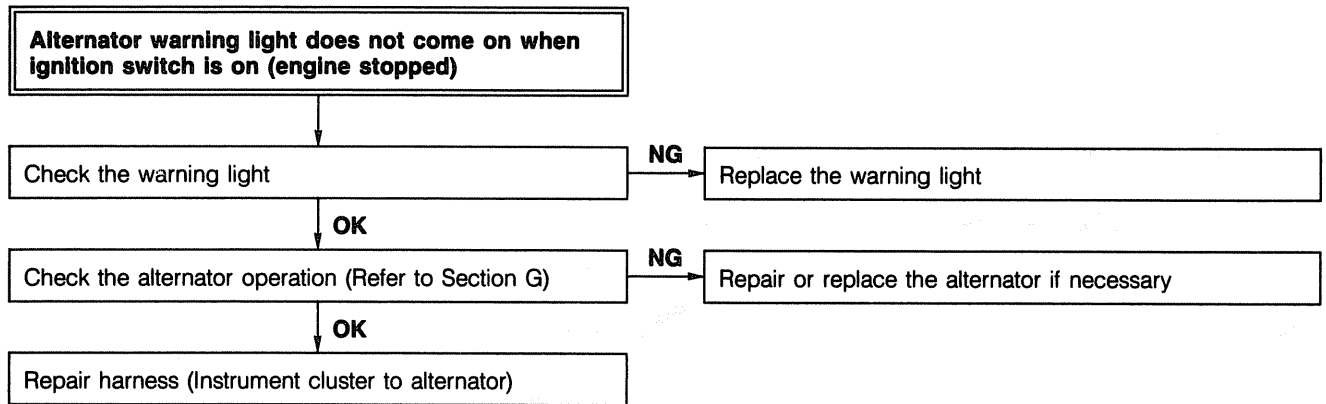
16U0TX-024



Alternator Warning Light

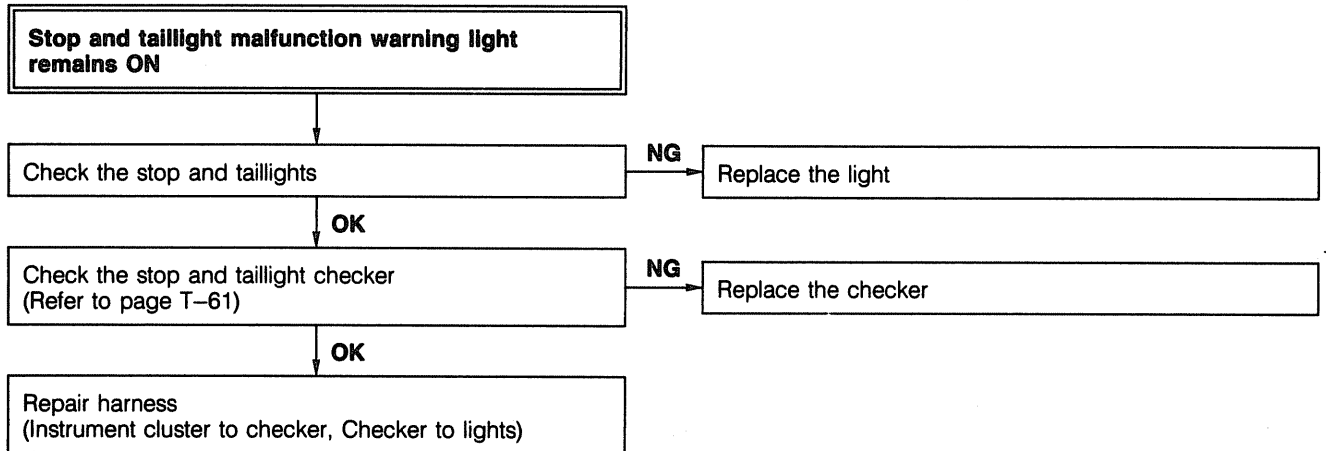


16U0TX-027

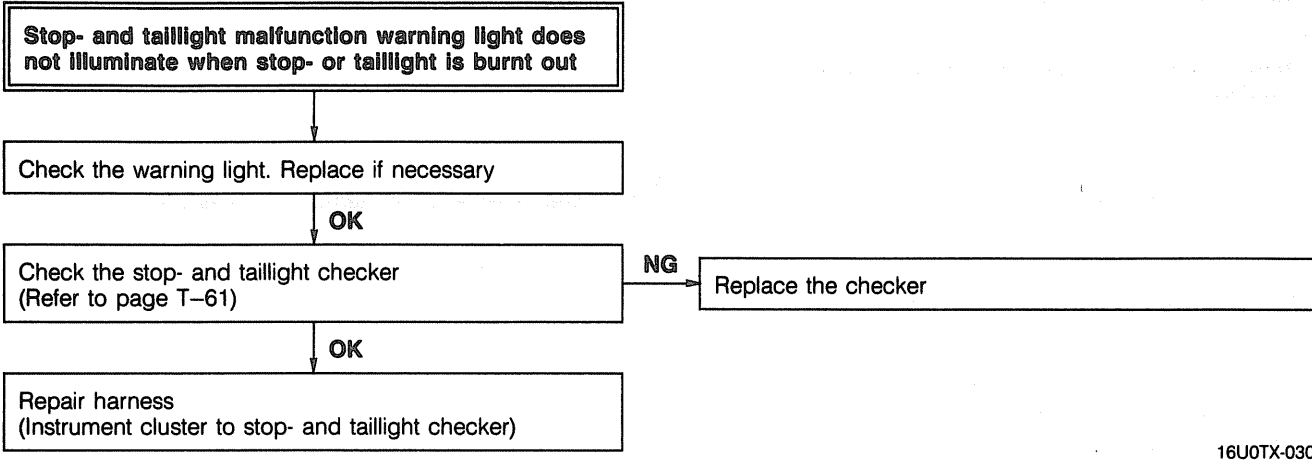


16U0TX-028

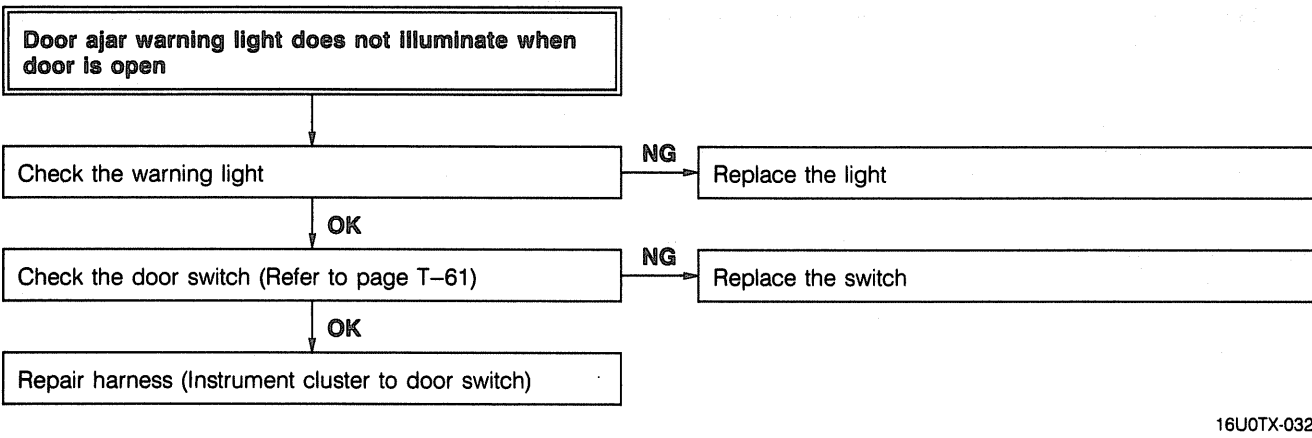
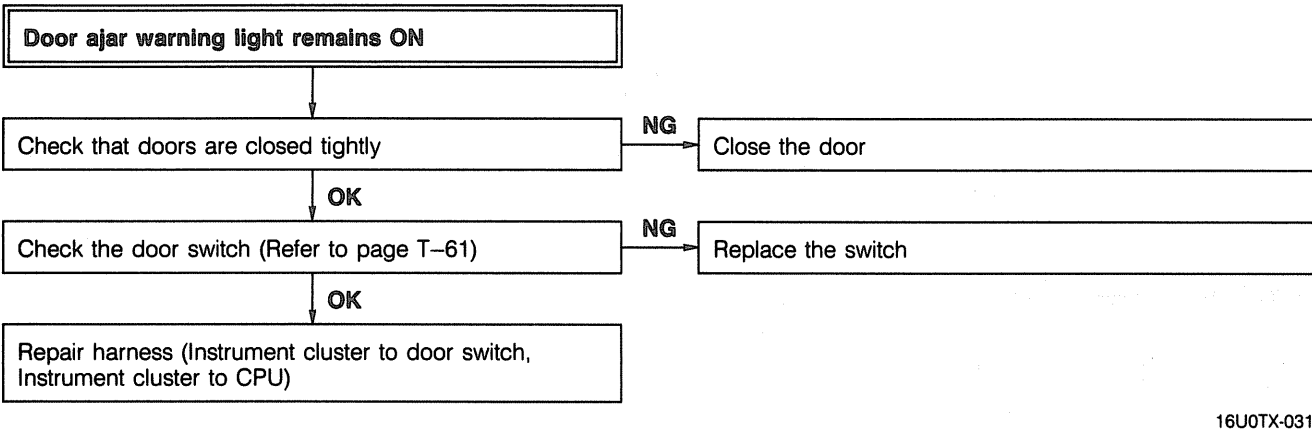
Stop and Taillight Malfunction Warning Light



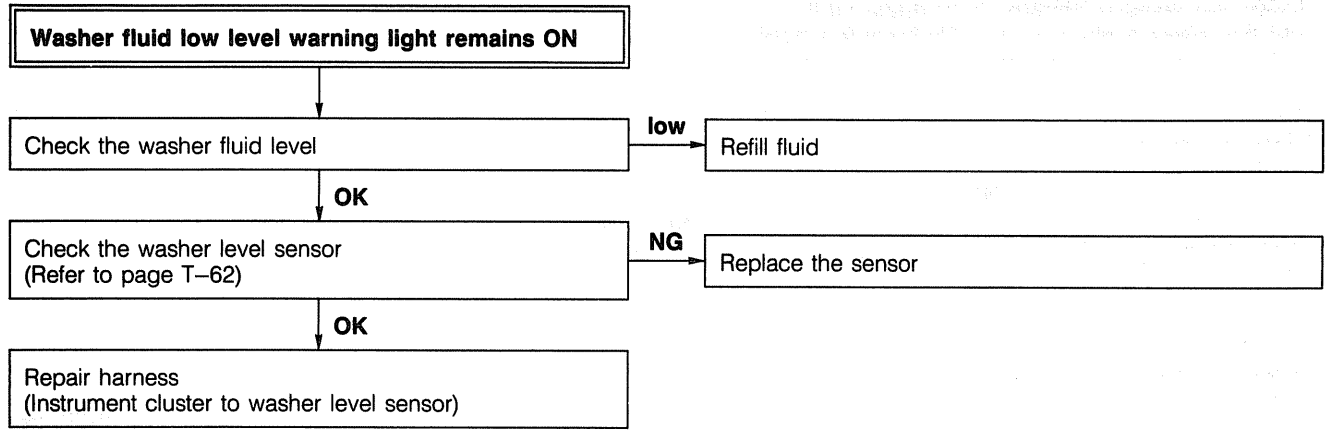
16U0TX-029



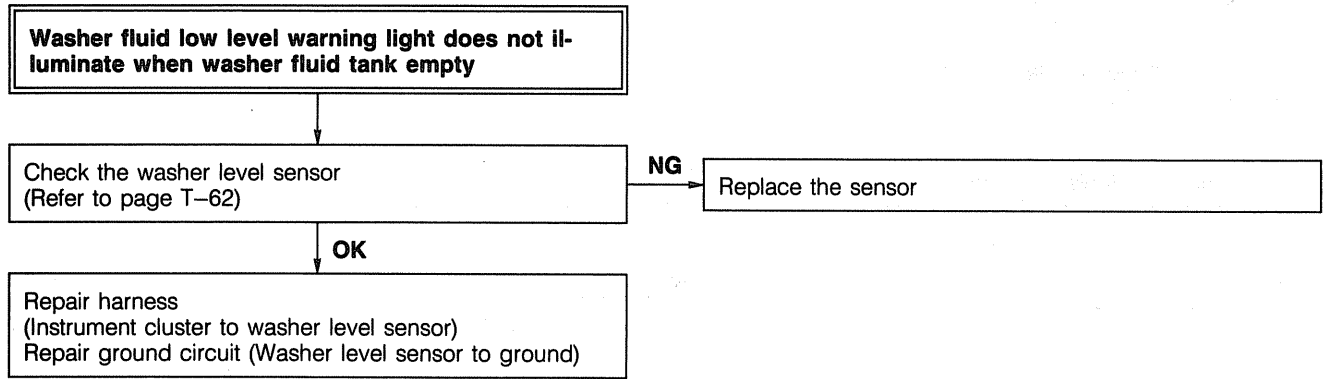
Door Ajar Warning Light



Washer Fluid Low Level Warning Light

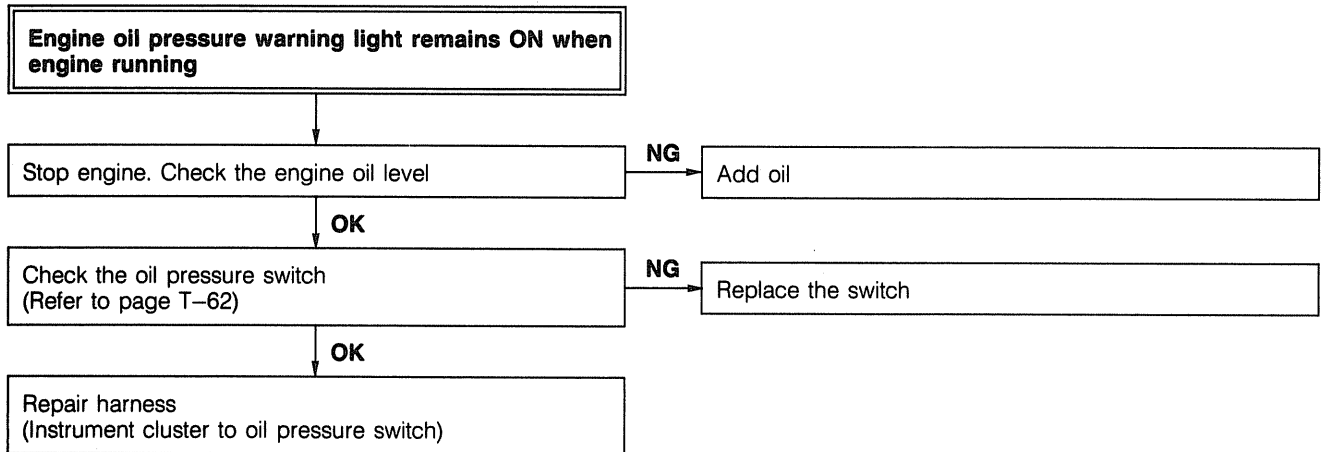


16U0TX-033

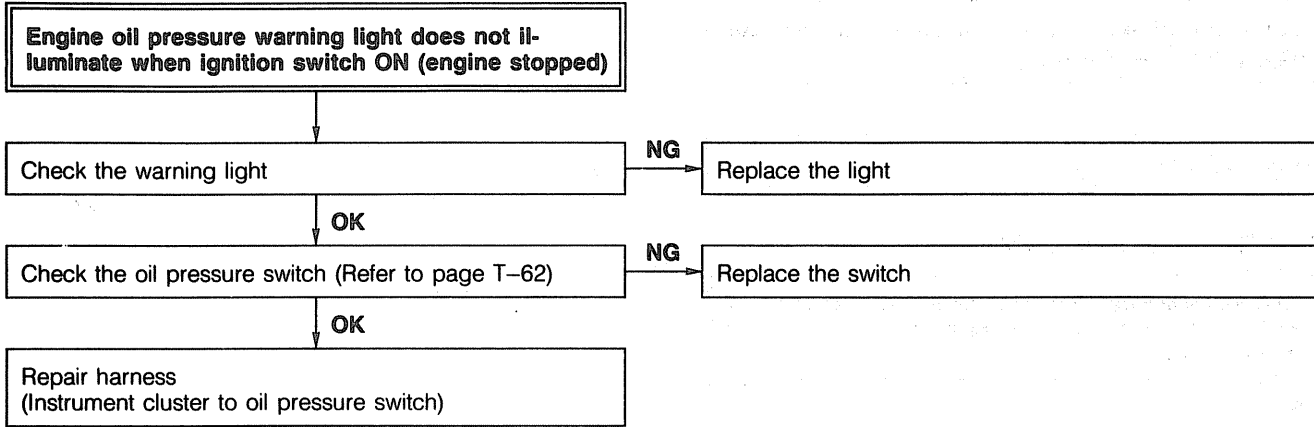


16U0TX-034

Engine Oil Pressure Warning Light

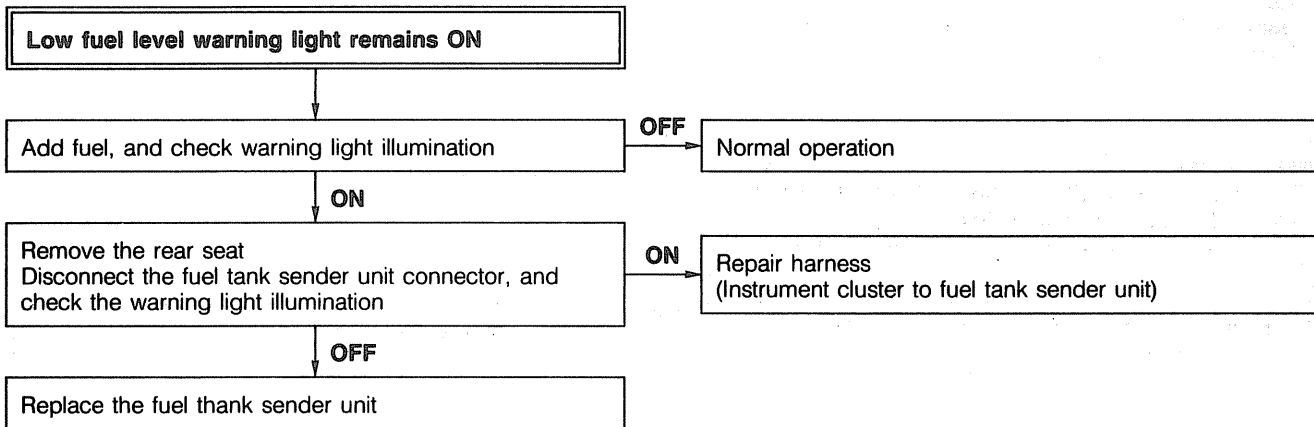


16U0TX-035



16U0TX-036

Low Fuel Level Warning Light



16U0TX-0337

Low fuel level warning light illuminates before fuel gauge indicates low fuel

Refer to Section F

06U0TX-057

Seat Belt Warning Light

Seat belt warning light remains ON six seconds after ignition switch ON (except passive shoulder belt model)

Check that the seat belt warning light comes on when turning the ignition switch ON with seat belt unfastened

OK → Normal operation

NG

Repair harness (Instrument cluster to CPU) or replace CPU

16U0TX-039

Seat belt warning light remains ON with seat belt fastened (passive shoulder belt model)

Check the warning switch (Refer to Section S)

NG → Adjust or replace the switch

OK

Disconnect the passive shoulder belt control unit connector, and check the voltage at K (BR/B) terminal of harness side connector with ignition switch ON

Terminal	Voltage
K (BR/B)	12V

NG → Replace harness (Instrument cluster to control unit)

OK

Replace the control unit

16U0TX-040

EC-AT Mode Indicator Light

POWER and ECONO indicator lights do not illuminate

Check the hold switch (Refer to Section K)

NG → Replace the switch

OK

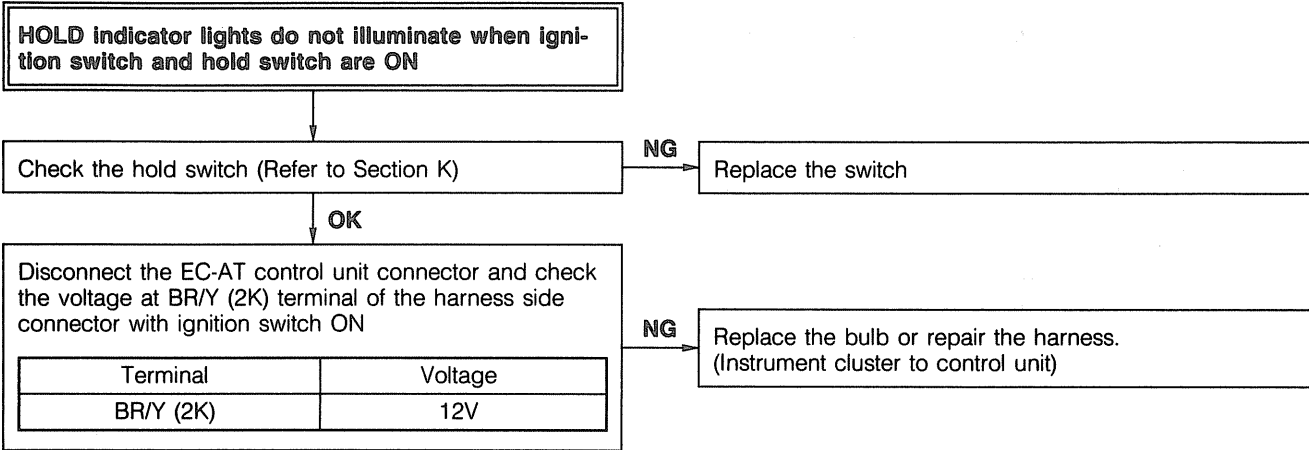
Check the mode switch (Refer to Section K)

NG → Replace the switch

OK

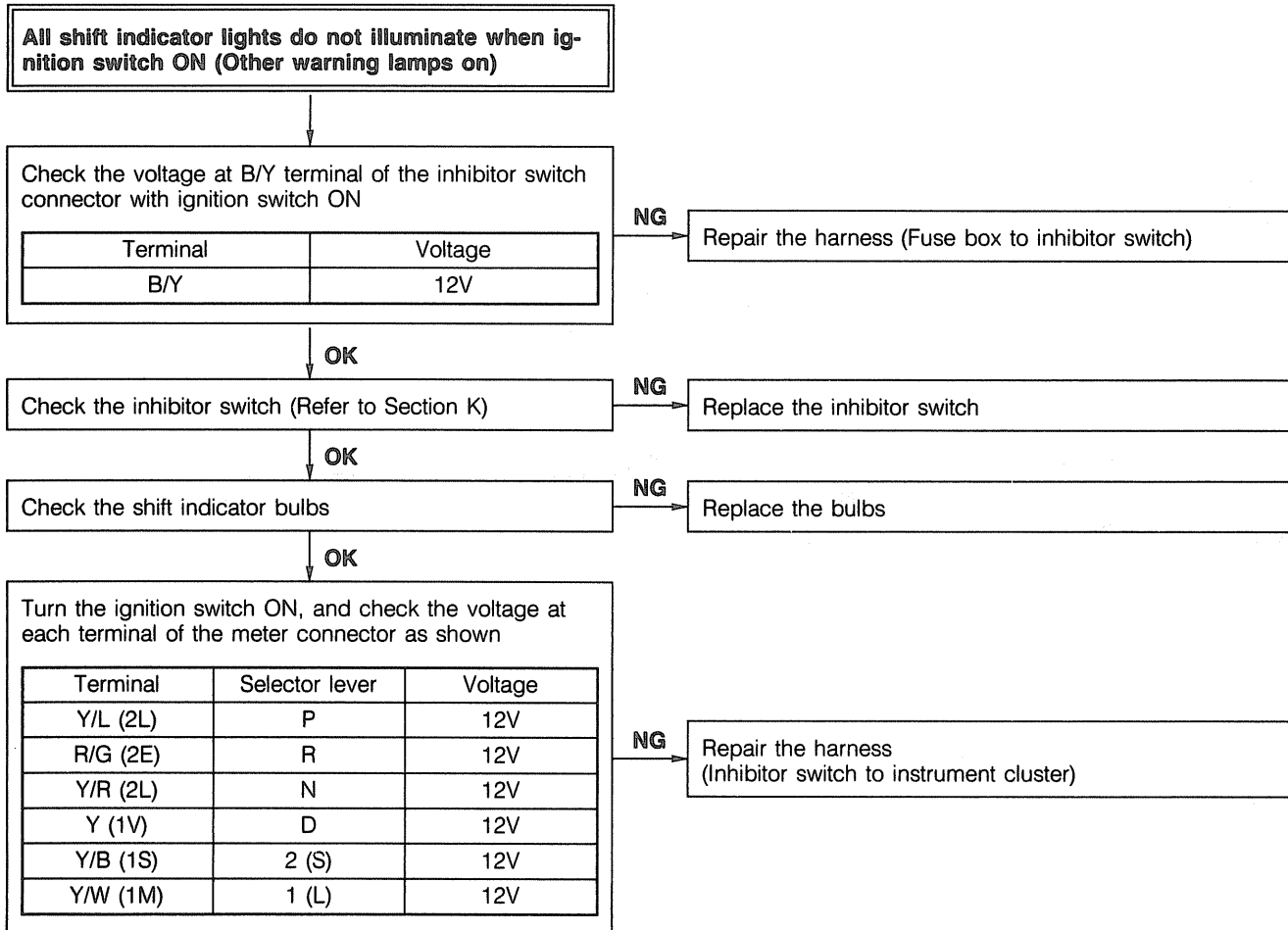
Replace the bulb or repair the harness (Instrument cluster to mode switch, EC-AT switch to control unit)

16U0TX-041

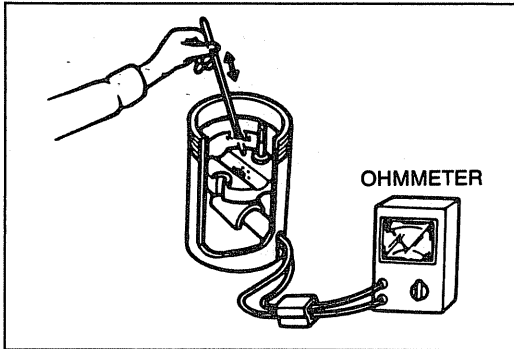


16U0TX-042

Shift Indicator Light



16U0TX-043



86U15X-065

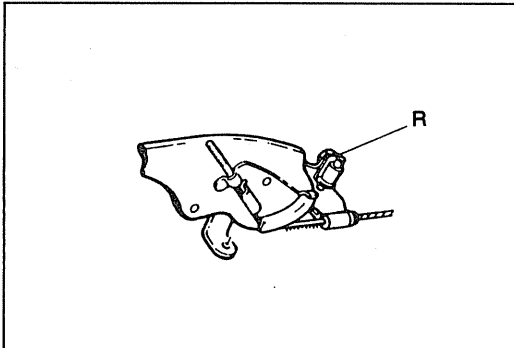
INSPECTION

Brake Fluid Level Sensor

1. Check for continuity of the sensor with an ohmmeter.

Float level	Continuity
Below MIN	Yes
Above MIN	No

2. If continuity is not as specified, replace the sensor.



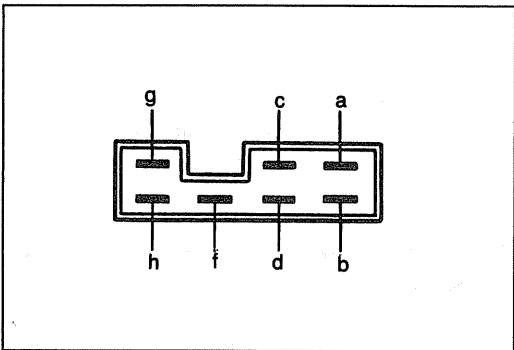
96U15X-191

Parking Brake Switch

1. Check for continuity between (R) terminal and a body ground with an ohmmeter.

Lever	Continuity
Pulled one notch	Yes
Released	No

2. If continuity is not as specified, adjust or replace the switch.



96U15X-057

Stop and Taillight Checker

1. Check for continuity between the terminals of the stop and taillight checker.

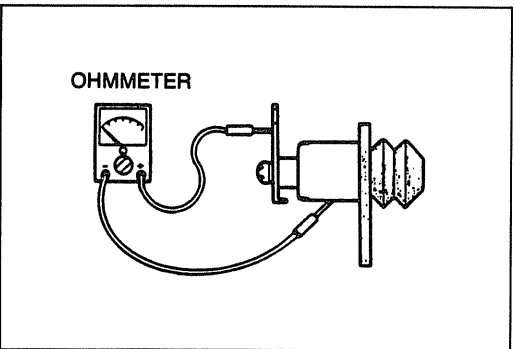
Terminal		Continuity	Terminal		Continuity	Terminal		Continuity
+	-		+	-		+	-	
a	b	○	c	d	X	f	g	X
a	c	○	c	f	○	f	h	○
a	d	X	c	g	X	g	a	○
a	f	○	c	h	○	g	b	○
a	g	X	d	a	○	g	c	○
a	h	○	d	b	○	g	d	X
b	a	○	d	c	○	g	f	○
b	c	○	d	f	○	g	h	○
b	d	X	d	g	X	h	a	○
b	f	○	d	h	○	h	b	○
b	g	X	f	a	○	h	c	○
b	h	○	f	b	○	h	d	X
c	a	○	f	c	○	h	f	○
c	b	○	f	d	X	h	g	X

○: Indicates continuity X: No continuity

Note

- Set the ohmmeter to x1000Ω range.

2. If continuity is not as specified, replace the checker.



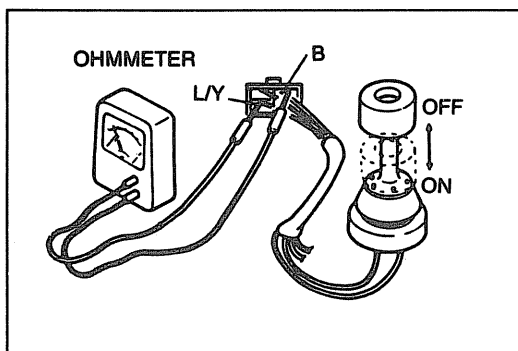
86U15X-068

Door Switch

1. Check for continuity of the switch with an ohmmeter.

Switch	Continuity
Pushed	No
Released	Yes

2. If continuity is not as specified, replace the switch.



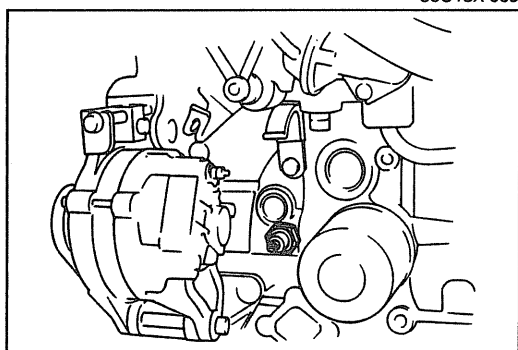
86U15X-069

Washer Level Sensor

1. Check for continuity between C (L/Y) terminal and D (B) terminal of the washer level sensor connector.

Terminals	Float level	Continuity
C (L/Y)—D (B)	Bottom	Yes
	Above bottom	No

2. If continuity is not as specified, replace the sensor.

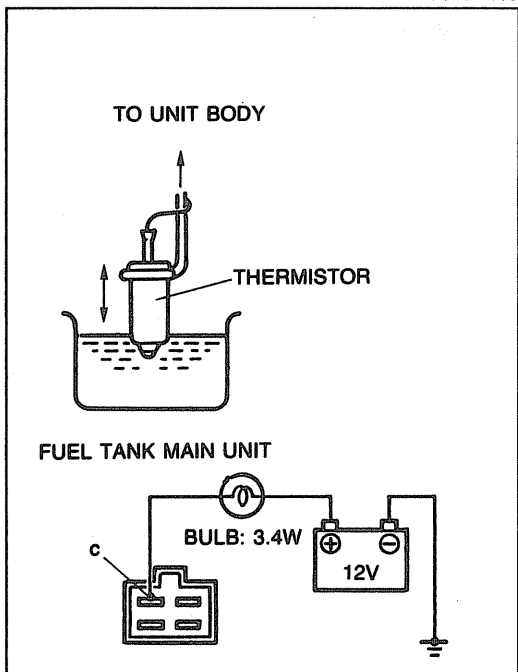


96U15X-058

Oil Pressure Switch

1. Disconnect the connector from the oil pressure switch.
2. Check for continuity between the switch and a body ground as shown.

Engine	Continuity
Running	No
Stopped	Yes



96U15X-059

Fuel Level Sensor

1. Remove the fuel tank main unit and fuel tank transfer unit.
2. Connect the 12V (with 3.4W bulb) and ground to the unit side connector as shown in the figure.
3. Verify that the bulb illuminates when the thermistor of the unit is immersed into, or taken out of, the water container.

Note

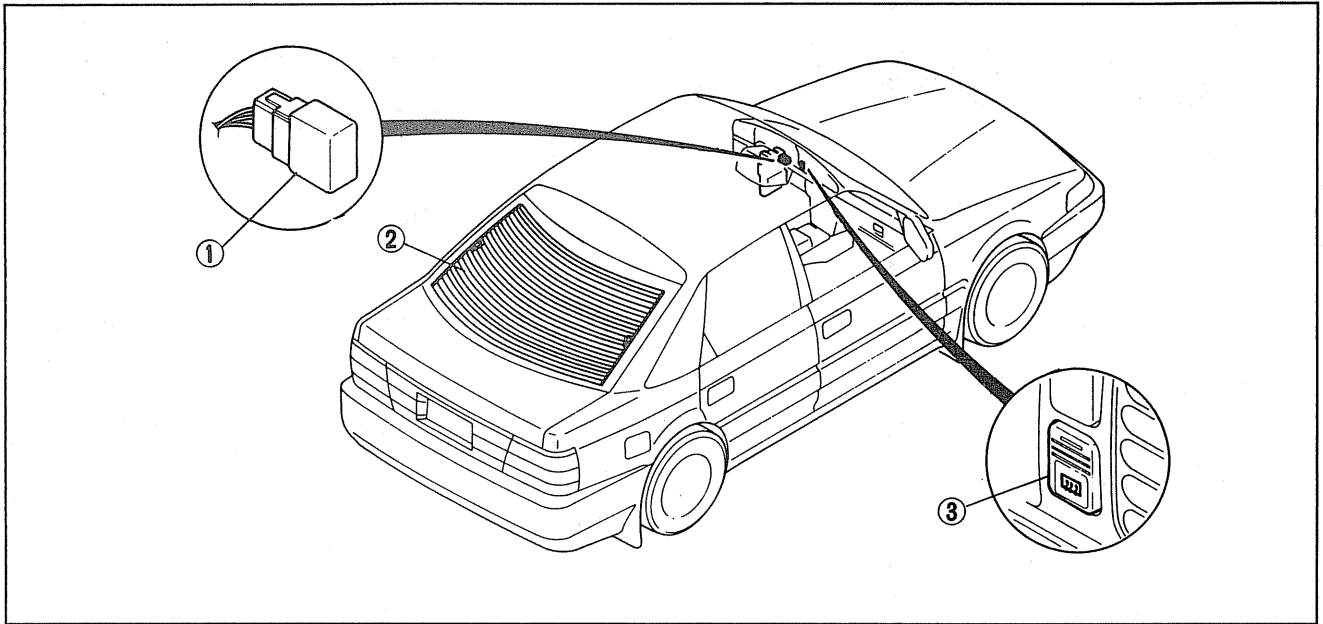
- Bulb illuminates within 3 min after the thermistor is taken out of the water container.

Thermistor position	Illuminates
In	No
Out	Yes

4. If not, replace the fuel tank main unit or fuel tank transfer unit.

REAR WINDOW DEFROSTER

STRUCTURAL VIEW

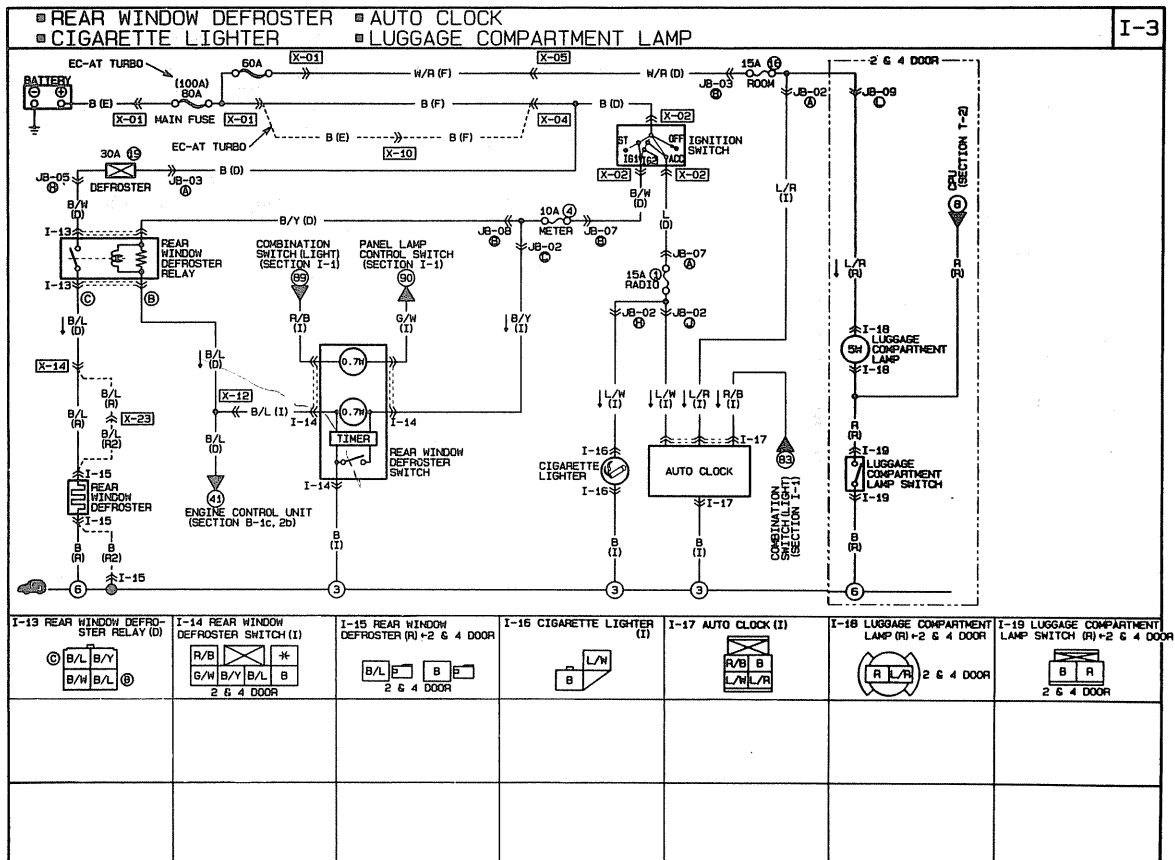


16U0TX-044

- 1. Defroster relay
Inspection page T-65
- 2. Defroster filament
Inspection page T-65
Repairing filament..... page T-65

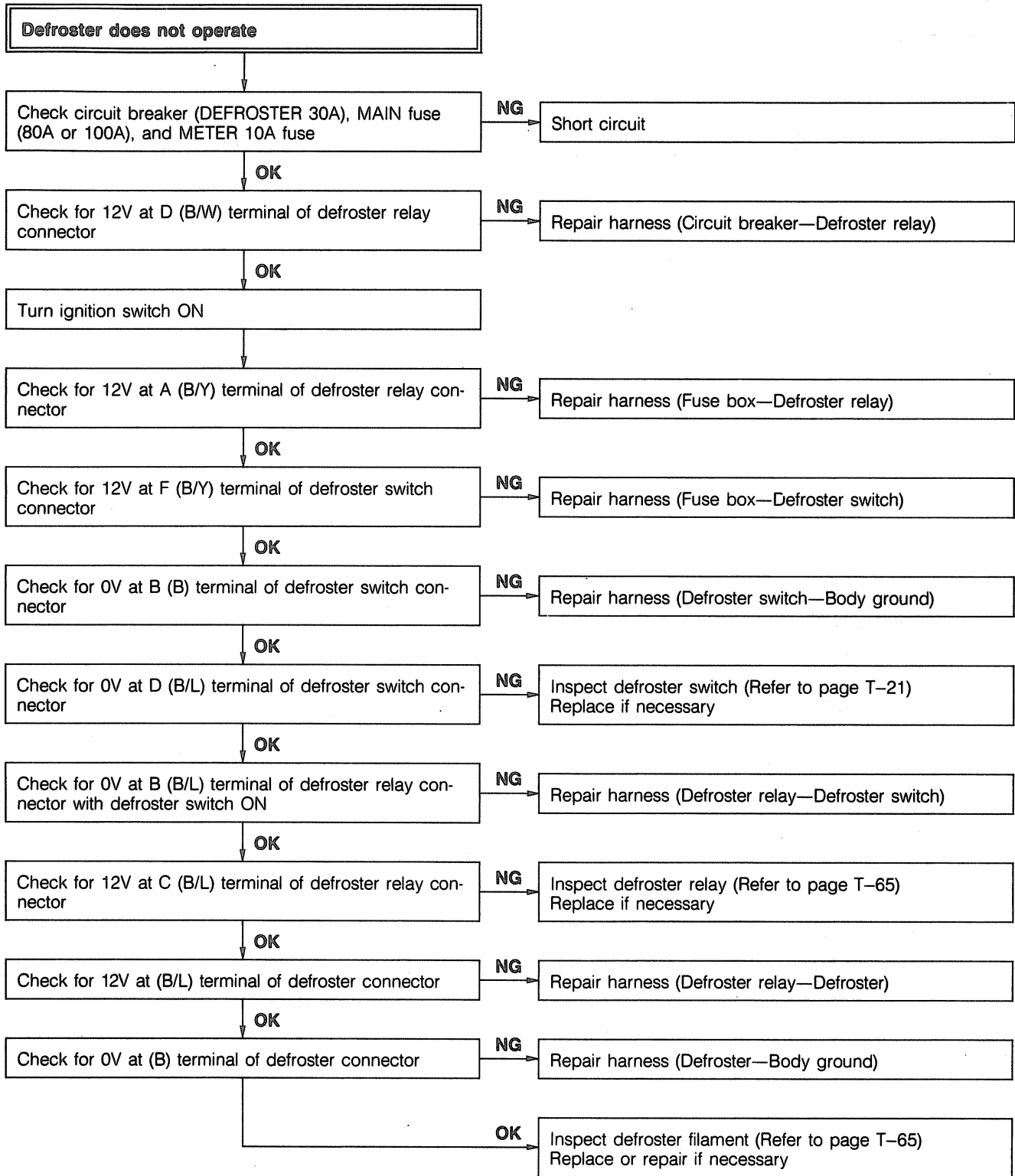
- 3. Rear defroster switch
Inspection page T-21

TROUBLESHOOTING

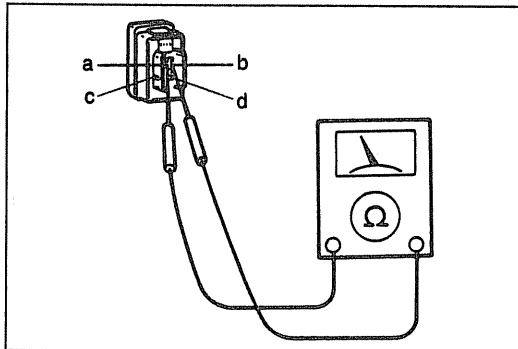


06U0TX-064

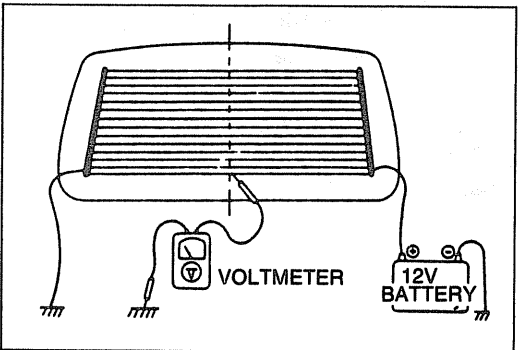
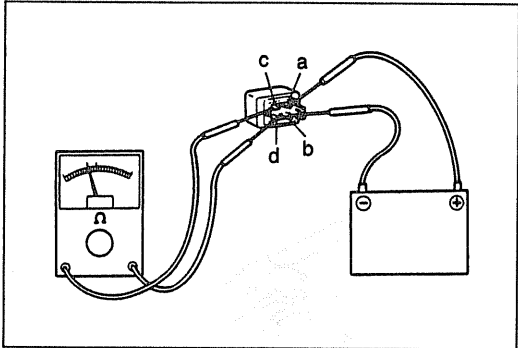
REAR WINDOW DEFROSTER



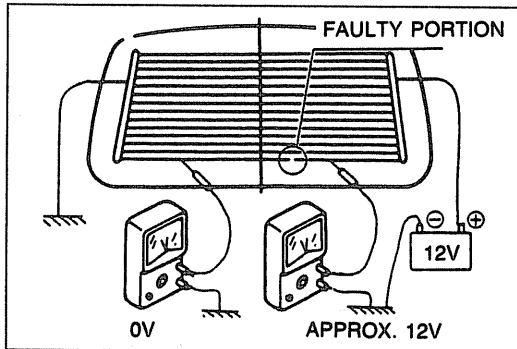
06U0TX-065



06U0TX-066



06U0TX-067



86U15X-107

DEFROSTER RELAY

Inspection

1. Check for continuity between terminals of the relay.

Connecting to		a	b	c	d
12V	Ground				
—	—	○—○			
a	b			○—○	

○—○: Indicates continuity

2. If continuity is not as specified, replace the relay.

DEFROSTER FILAMENT

Inspection

1. Turn the rear window defroster switch ON.
2. Connect the + terminal of the voltmeter to the center of each filament and the - terminal to the body. The standard voltage at the center of each filament is approximately 6V. If the meter indication is high, there is a short circuit between the center and the grounded side of the filament. If the indication is low or zero, the fault is between the center and positive side.

Repairing Filament

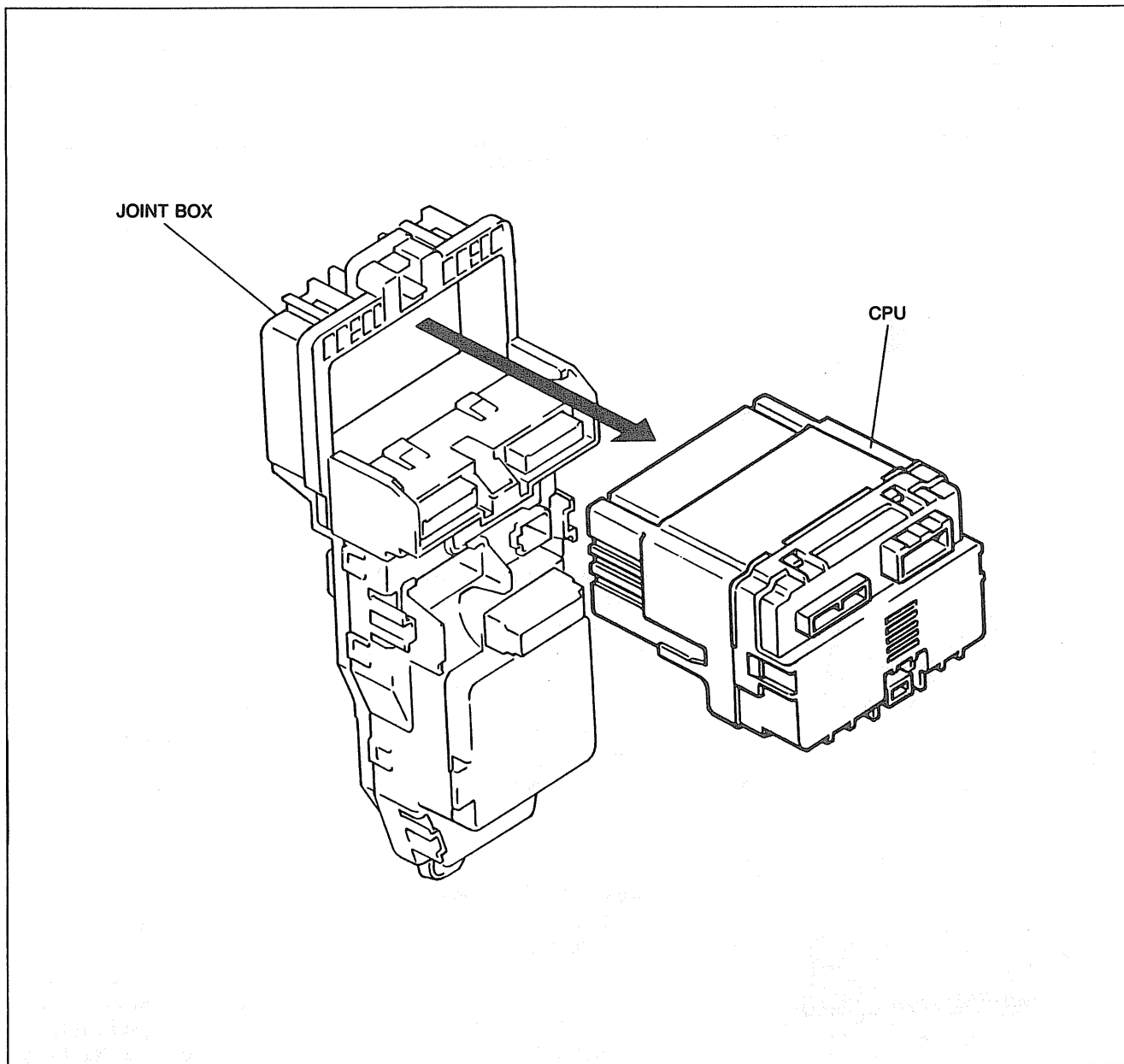
1. Use paint thinner or ethyl alcohol to clean the damaged part of the filament.
2. Attach tape to both sides of the damaged part of the filament.
3. Using a small brush or marking pen, apply silver paint (part no. 2835 77 600) or equivalent to the damaged part.
4. Let the paint set for 24 hours at 20°C (68°F) to let it dry completely. (If a blow dryer is used to heat it to 60°C (140°F), it can be dried in about 30 minutes.)

Note

- Do not use the rear window defroster until the paint is dry.
- Do not use gasoline or similar solvents to clean the damaged part.

CENTRAL PROCESSING UNIT (CPU)

STRUCTURAL VIEW



86U15X-071

FUNCTIONS

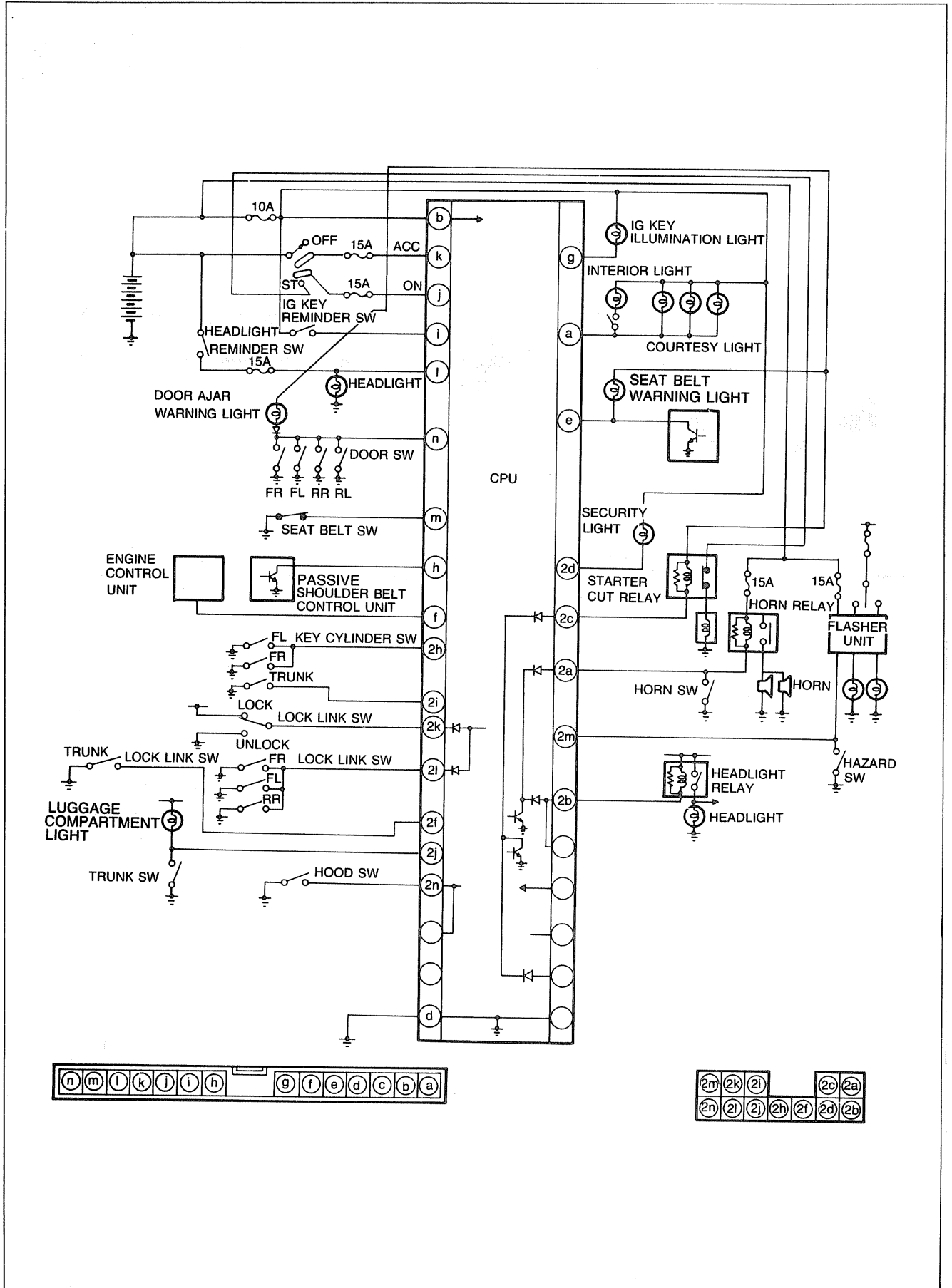
Audible Alarm System	Key reminder alarm
	Light-off reminder alarm
	Seat belt alarm
	Passive shoulder belt alarm (passive shoulder belt model)
	Turbocharger overboost alarm (turbocharger model)
Timer System	Seat belt timer
	Key illumination light timer
	Interior light timer
Theft-Deterrent System. (Refer to page T-82.)	—

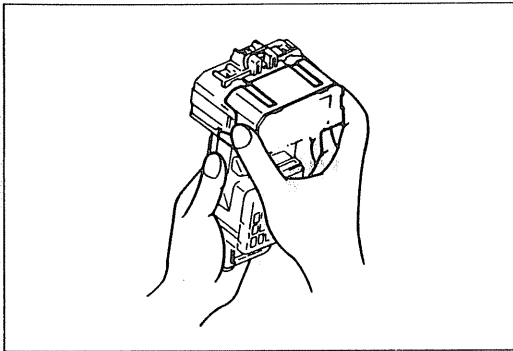
06U0TX-068

CENTRAL PROCESSING UNIT (CPU)

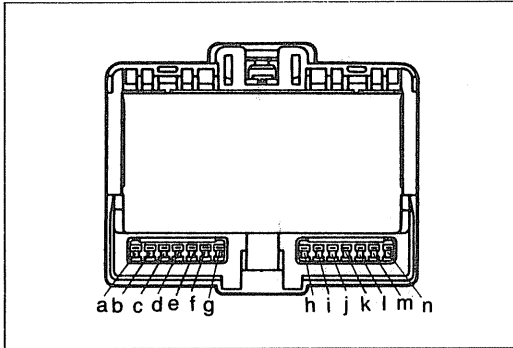
T

CIRCUIT DIAGRAM





86U15X-074



86U15X-075

REMOVAL / INSTALLATION

1. Disconnect the negative battery cable.
2. Disconnect the CPU connectors.
3. Release the lock and remove the CPU from the joint box.
4. Install in the reverse order of removal.

ON-VEHICLE INSPECTION**Note**

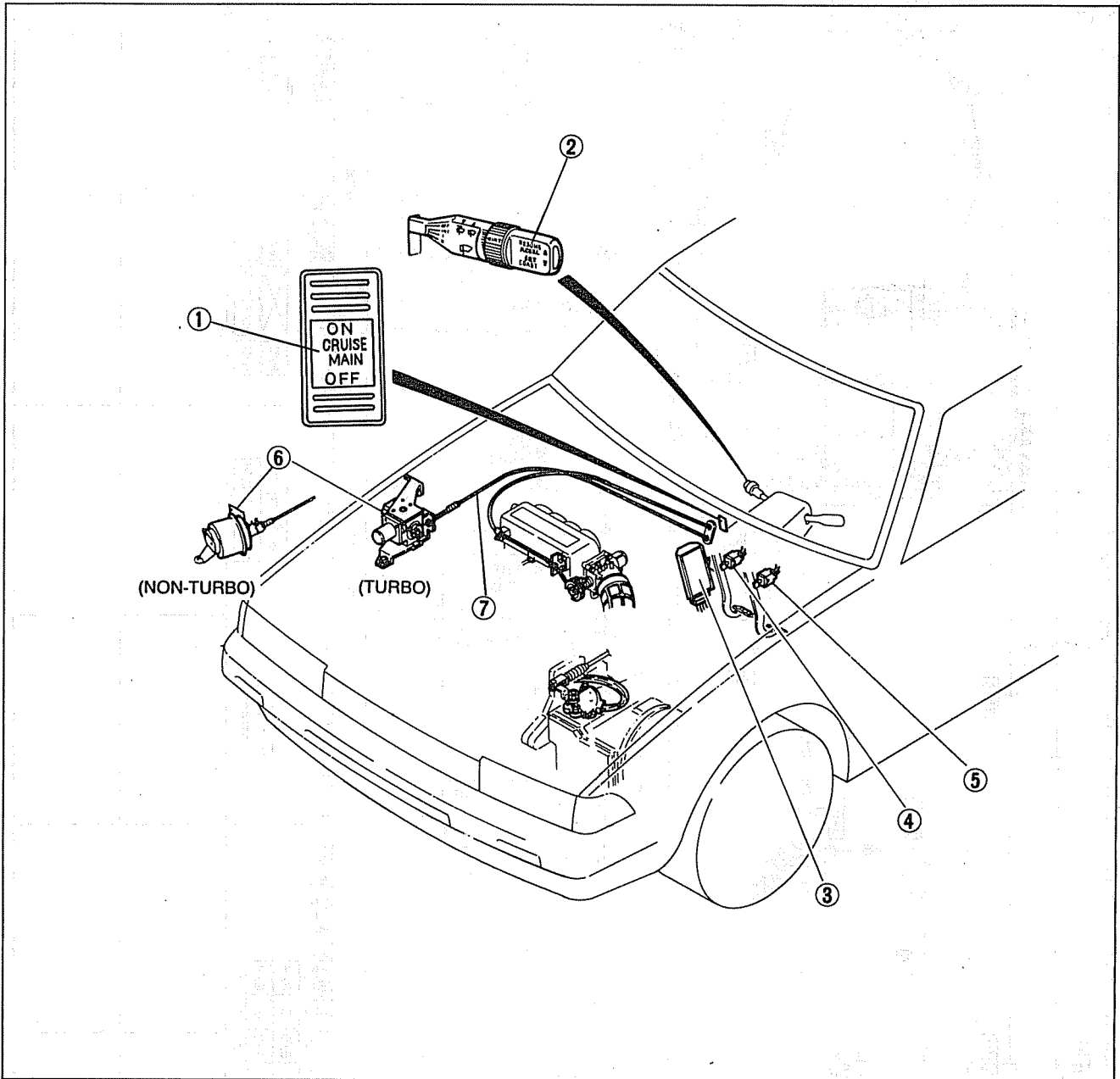
- Check the voltage between "a through l" terminal and ground.
- Check the continuity between "m, n" terminal and ground.

Terminal	Connecting to	Measurement condition	Measurement value
a	Interior light and courtesy lights	Anytime	Approx. 12V
b	Battery	Anytime	Approx. 12V
c	Not used	—	—
d	Ground	Anytime	Approx. 0V
e	Seat belt warning light	Ignition switch on	Approx. 12V
f	Engine control unit	Engine running	Approx. 12V
g	Key cylinder illumination light	Anytime	Approx. 12V
h	Passive shoulder belt control unit	Buzzer sounds	Approx. 1.5V
		Buzzer does not sound	Approx. 5V
i	Key reminder switch	Insert the key into the cylinder	Approx. 12V
		Pull out the key from the cylinder	Approx. 0V
j	Ignition switch (ON)	Ignition switch ON	Approx. 12V
		Ignition switch OFF or ACC	Approx. 0V
k	Ignition switch (ACC)	Ignition switch ON or ACC	Approx. 12V
		Ignition switch OFF	Approx. 0V
l	Light switch (In the combination switch)	Turn the light switch ON	Approx. 12V
		Light switch OFF	Approx. 0V
m	Seat belt switch	Seat belt fastened	0Ω
		Seat belt unfastened	∞
n	Door switch	Door closed	∞
		Door open	0Ω

06U0TX-125

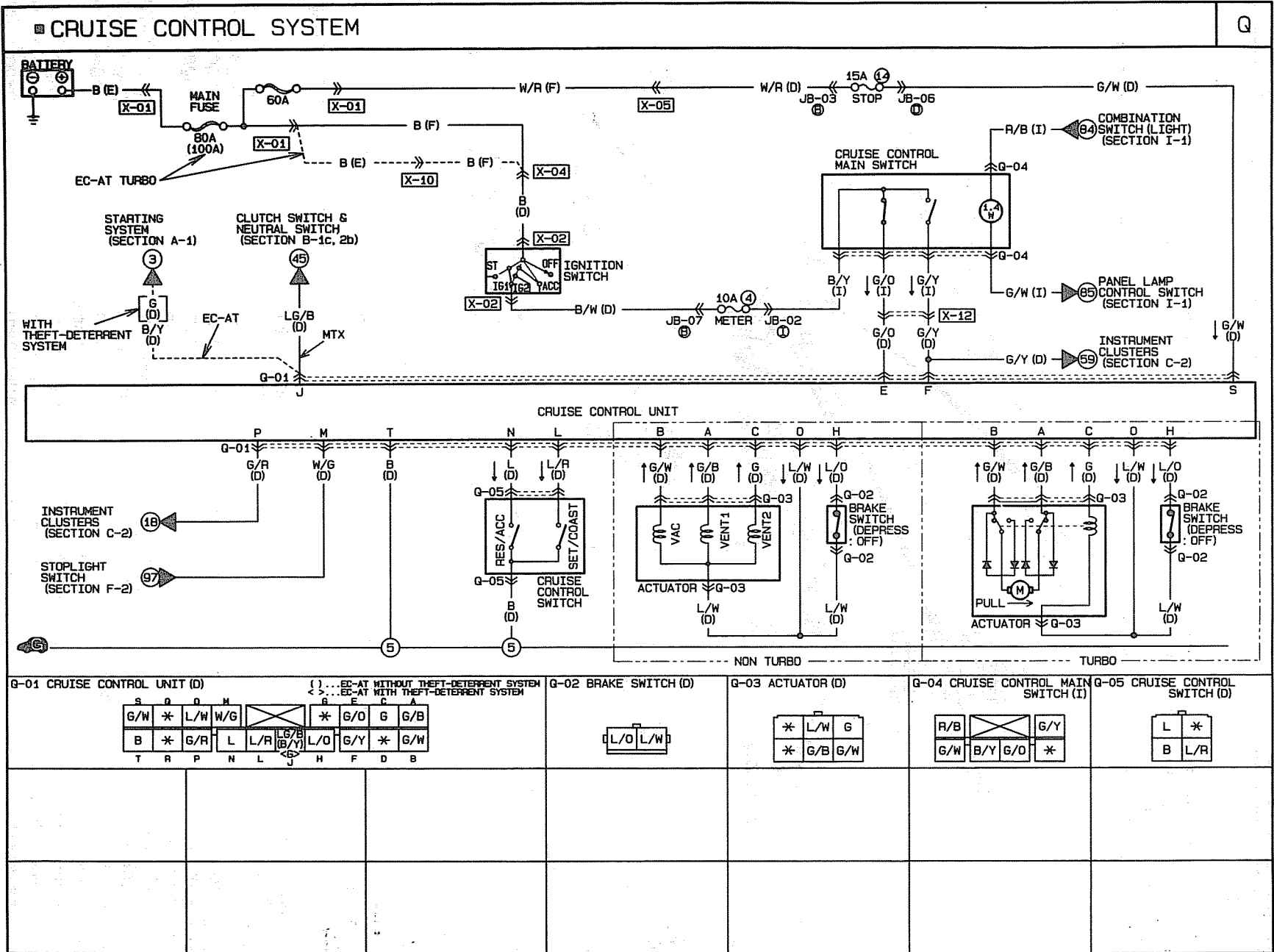
CRUISE CONTROL SYSTEM

STRUCTURAL VIEW



06U0TX-069

1. Cruise control main switch		5. Clutch switch	
Inspection	page T-81	Removal	page T-80
2. Cruise control switch		Installation	page T-80
Inspection	page T-81	Adjustment	page T-80
3. Cruise control unit		Inspection	page T-80
Removal	page T-78	6. Actuator cable	
Installation	page T-78	Inspection	page T-78
Inspection	page T-78	Removal	page T-78
4. Brake switch (for cruise control)		Installation	page T-78
Removal	page T-80	7. Actuator cable	
Installation	page T-80	Removal	page T-79
Adjustment	page T-80	Installation	page T-79
Inspection	page T-80	Adjustment	page T-80



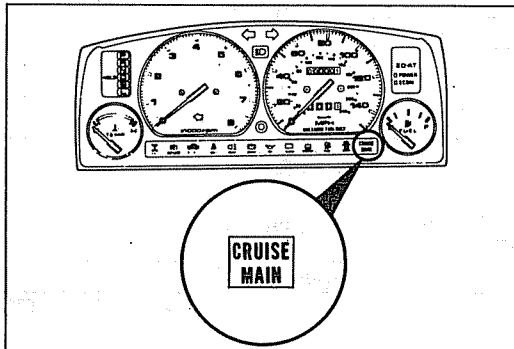
Symptom: Vehicle speed cannot be set. (Cruise control unit will not hold vehicle speed.)

Note

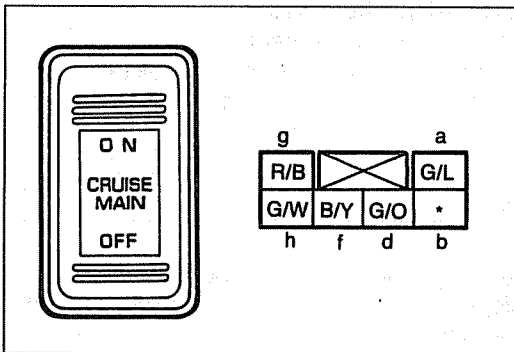
- Before troubleshooting of the system, verify the following items:
 1. Is system being correctly used by customer?
 2. Is fuse OK?

Check the fuse. If the fuse is burned, replace it. Check the wire harness for a short circuit.

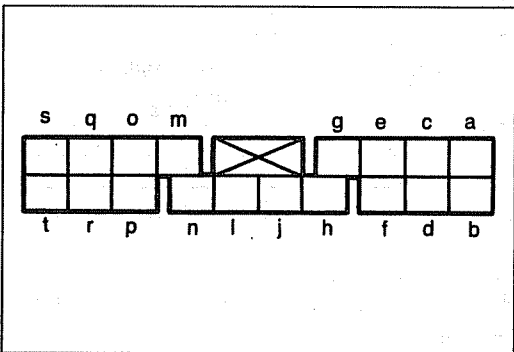
06U0TX-071.



06U0TX-126



06U0TX-127



05U0TX-213

Step 1

1. Turn the ignition switch ON.
2. Turn the cruise control main switch ON.
3. Check that the cruise main switch indicator lamp comes ON.
4. If the lamp does not come ON, go to Step 2.
5. If the lamp comes ON, go to Step 3.

Step 2

1. Check continuity between terminals of the cruise control main switch.

Position	Terminals					
	a	b	d	f	g	h
Neutral			○—○		○—○	
OFF					○—○	
ON	○—○		○—○	○—○		

○—○: Indicates continuity

2. If not as specified, replace the switch.
3. If the switch is OK, repair the wire harness.
(METER 10A fuse — Cruise control main switch — Ground)

Step 3

1. Measure the voltage at the following terminal-wires of the cruise control unit connector.
2. If all terminal voltage are OK, replace the cruise control unit.

Terminal	Wire color	Connected to	Test condition	Specification	Action
a	(G/B)	Actuator	Main switch OFF	0V	Go to Step 8
			Main switch ON	9V	
b	(G/W)	Actuator	Main switch OFF	0V	
			Main switch ON	9V	
c	(G)	Actuator	Main switch OFF	0V	
			Main switch ON	9V	
e	(G/O)	Main switch	Main switch OFF	12V	Repair wire (G/O)
			Main switch ON	0V	(Main switch—Cruise control unit)
f	(G/Y)	Main switch	Main switch OFF	0V	Repair wire (G/Y)
			Main switch ON	12V	(Main switch—Cruise control unit)

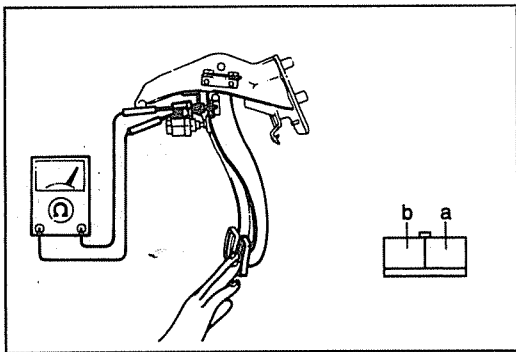
(cont'd)

Terminal	Wire color	Connected to	Test condition	Specification	Action
h	(L/O)	Brake switch	Brake pedal depressed	0V	Go to Step 4
			Brake pedal released	9V	
j	(LG/B) ^{*1}	Clutch switch	Clutch pedal depressed	0V	Go to Step 5
			Clutch pedal released	12V	
	(G) ^{*2} (B/Y) ^{*3}	Inhibitor switch	"N" or "P" range	0V	Inspect Inhibitor switch (Refer to Section K)
			Other range	12V	
l	(L/R)	Cruise control switch (Set switch and coast switch)	Main switch ON	12V	Go to Step 6
			While pushing set switch after main switch ON	0V	
m	(W/G)	Stoplight switch	Brake pedal depressed	12V	Go to Step 7
			Brake pedal released	0V	
n	(L)	Cruise control switch (Resume switch and accel switch)	Main switch ON	12V	Go to Step 6
			While pushing resume switch after main switch ON	0V	
o	(L/W)	Actuator	Main switch OFF	0V	Go to Step 8
			Main switch ON	9V	
p	(G/R)	Speed sensor	While rotating rear tires	Run out between 0—5V	Go to Step 9
s	(G/W)	Battery	Constant	12V	Repair wire (G/R)

*1: M/T

*2: A/T with Theft-deterrent

*3: A/T without Theft-deterrent 06U0TX-072



05U0TX-215

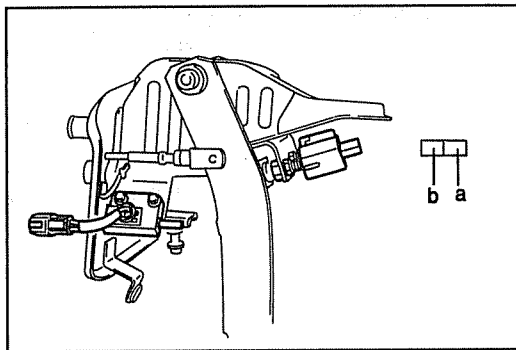
Step 4 — Inspection of brake switch

1. Disconnect the brake switch connector.
2. Check continuity between terminals of the switch.

Pedal position	Terminal	
	a	b
Pedal released	○	○
Pedal depressed	○—○	

○—○: Indicates continuity

3. If not as specified, replace the brake switch.
4. If the switch is OK, repair the wire harness. (Fuse — Brake switch — Control unit)



9MU0TX-254

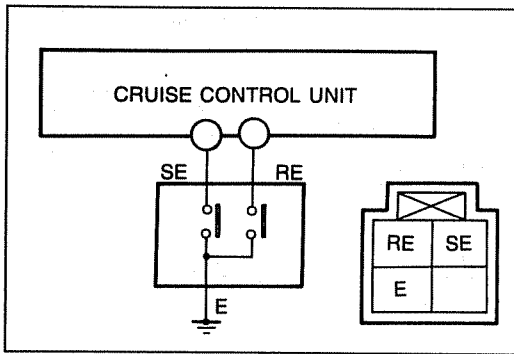
Step 5 — Inspection of clutch switch

1. Disconnect the clutch switch connector.
2. Check continuity between terminals of the switch.

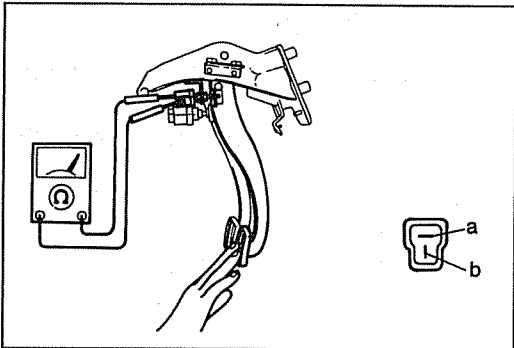
Pedal position	Terminal	
	a	b
Pedal released		
Pedal depressed	○—○	

○—○: Indicates continuity

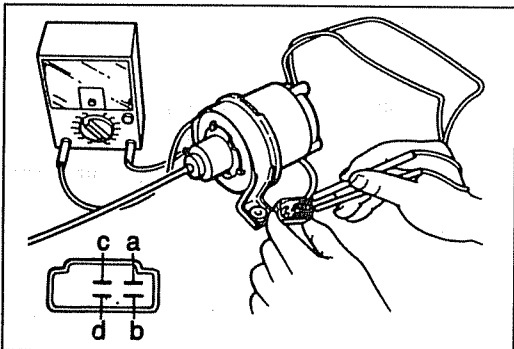
3. If not as specified, replace the clutch switch.
4. If the switch is OK, repair the wire harness (Fuse — Clutch switch — Control unit).



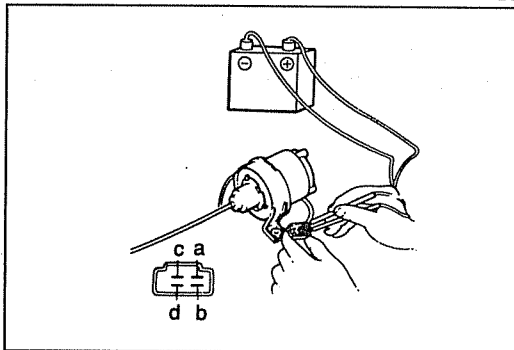
05U0TX-216



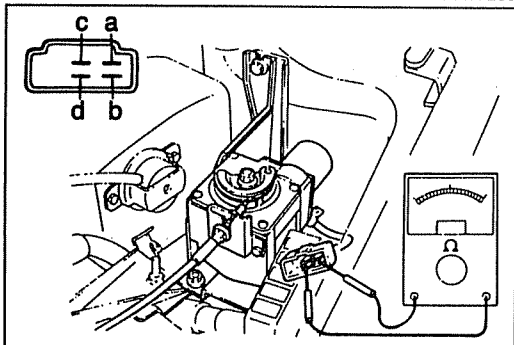
05U0TX-217



06U0TX-128



9MU0TX-258



06U0TX-129

Step 6 — Inspection of cruise control switch

1. Remove the knee protector and disconnect the combination switch connector.
2. Check continuity between terminals of the combination switch connector.

Switch	Terminal		
	SE	RE	E
SET/COAST	○		○
RESUME/ACCEL		○	○

○—○: Indicates continuity

3. If not as specified, replace the cruise control switch.
4. If the switch is OK, repair the wire harness. (Cruise control switch — Control unit)

Step 7 — Inspection of stoplight switch

1. Disconnect the stoplight switch.
2. Check continuity between terminals of the switch.

Pedal position	Terminal	
	a	b
Pedal released		
Pedal depressed	○	○

○—○: Indicates continuity

3. If not as specified, replace the stoplight switch.
4. If the switch is OK, repair the wire harness. (Cruise control unit — Stoplight switch)

Step 8 — Inspection of actuator (Non-turbo model)

1. Measure the actuator solenoid resistance using an ohmmeter.

Check terminals	Resistance
c — a	Approx. 25 to 35Ω
c — b	
c — d	

2. If not as specified, replace the actuator.
3. If continuity is OK, go to Step 8—4.
4. Run the engine at idle speed.
5. Apply battery voltage to the following terminals, and check actuator operation.

Order	Terminal condition				Operation of control cable
	a	b	c	d	
1	Ground	Ground	Power	Ground	Pull
2	Ground	—	Power	Ground	Hold
3	Ground	—	Power	—	Extend
4	—	—	—	—	Release

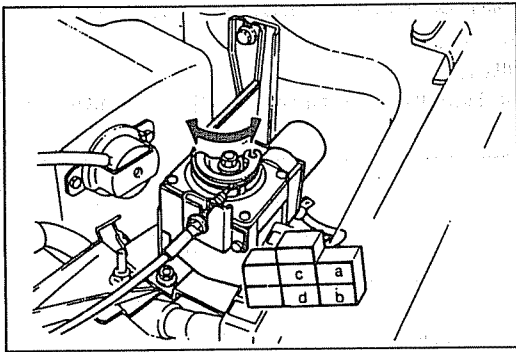
6. If not as specified, replace the actuator.

(Turbo model)

1. Measure the actuator solenoid resistance using an ohmmeter.

Check terminal	Resistance
c — a	Approx. 20Ω

2. If not as specified, replace the actuator.
3. If continuity is OK, go to Step 8—4.
4. Run the engine at idle speed.

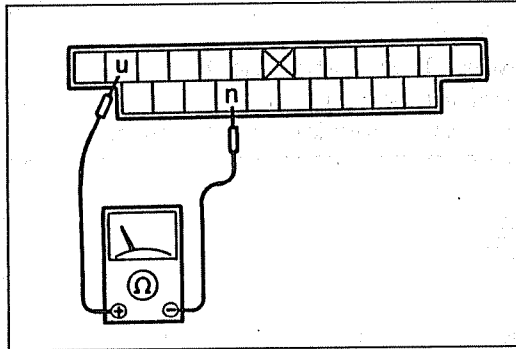


06U0TX-130

5. Apply battery voltage to the following terminals, and check actuator operation.

Order	Terminal condition				Operating condition of control cable
	a	b	c	d	
1	Ground	Power	Power	Ground	Pull
2	Ground	—	Power	—	Stop
3	Ground	Ground	Power	Power	Extend
4	—	—	—	—	Release

6. If not as specified, replace the actuator.



16U0TX-045

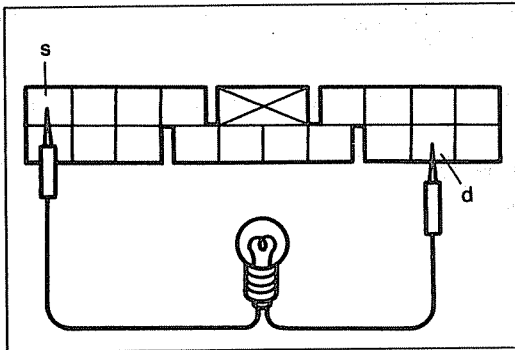
Step 9 — Inspection of speed sensor

1. Remove the instrument cluster.
2. Check continuity between terminals 1U (G/R) and 1N (B) while rotating the speedometer cable.
3. If there are not four pulses per shaft rotation, replace the speed sensor.
4. If there are four pulses per rotation, check the wire harness (Combination meter — Control unit).
5. If the wiring is OK, replace the cruise control unit.

SELF-DIAGNOSTIC INSPECTION

Inspection of the cruise control system may also be done by using the self-diagnostic function integrated in the control unit and using a test light.

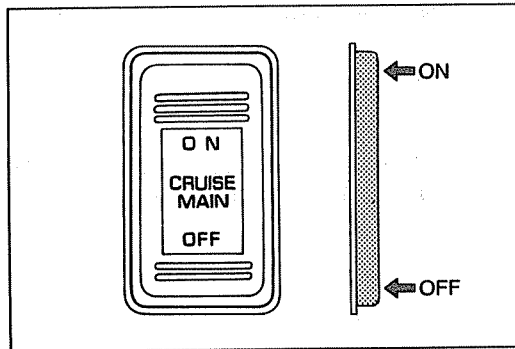
16U0TX-046



05U0TX-221

Preparation

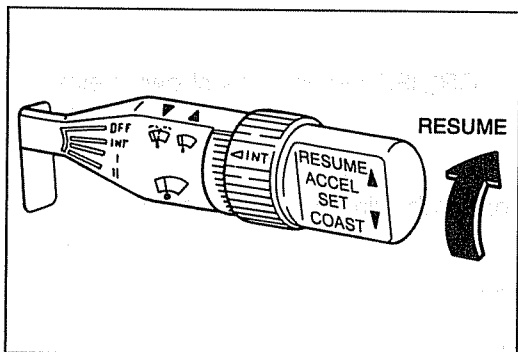
1. Disconnect the cruise control unit connector.
2. Connect a test light between terminals d and s of the cruise control unit connector as shown.
3. Reconnect the cruise control unit connector.



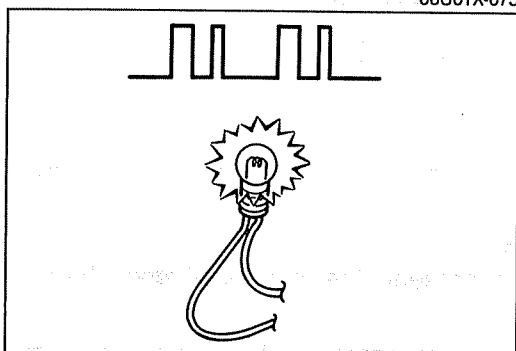
06U0TX-074

Inspection 1

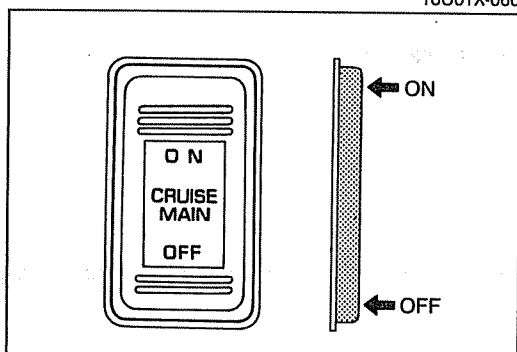
1. Turn the ignition switch ON.
2. Turn the cruise main switch ON.



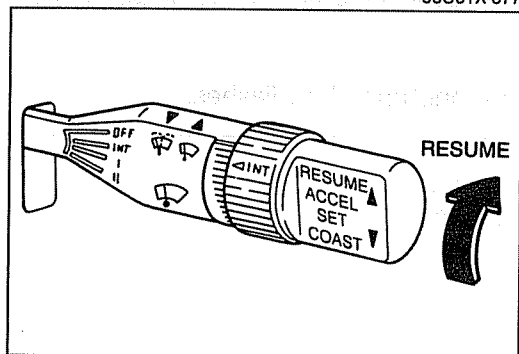
06U0TX-075



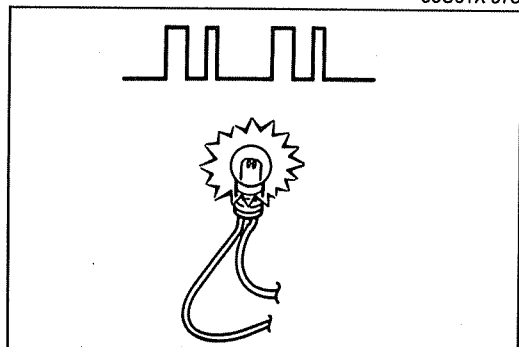
16U0TX-066



06U0TX-077



06U0TX-078



16U0TX-067

3. Turn the cruise control switch to RESUME and hold it more than 3 seconds.
4. Release the switch.
5. Test lamp illuminates for 3 seconds and goes out for 2 seconds.
6. The self-diagnostic function is now activated.
7. Read out and record the condition and operation code number(s) of the test light. (Refer to page T-77.)
8. Turn the main switch OFF to deactivate the self-diagnostic function. (The self-diagnostic function will also be canceled if the vehicle is driven at over 16 km/h (10mph)).
9. Check the system as per the results of the self-diagnostic.

Inspection 2

1. Turn the ignition switch ON.
2. Verify that the main switch is OFF. (The cruise main indicator lamp off)

3. Turn the cruise control switch to RESUME and push the main switch to activate the inspection of system simultaneously.

4. Operate each switch as described and verify the flashing code number(s). (Refer to page T-77.)
5. Push the main switch to deactivate inspection of system.

Note

- The cruise control system does not operate if the self-diagnostic function is not canceled.

Warning Code

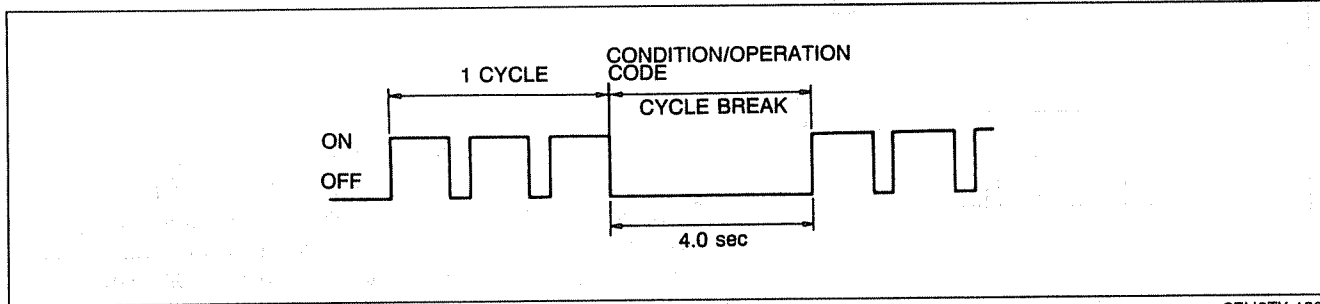
Principle of code cycle

Condition and operation codes are determined by flashing of the CRUISE indicator as shown below.

05U0TX-225

1. Code cycle break

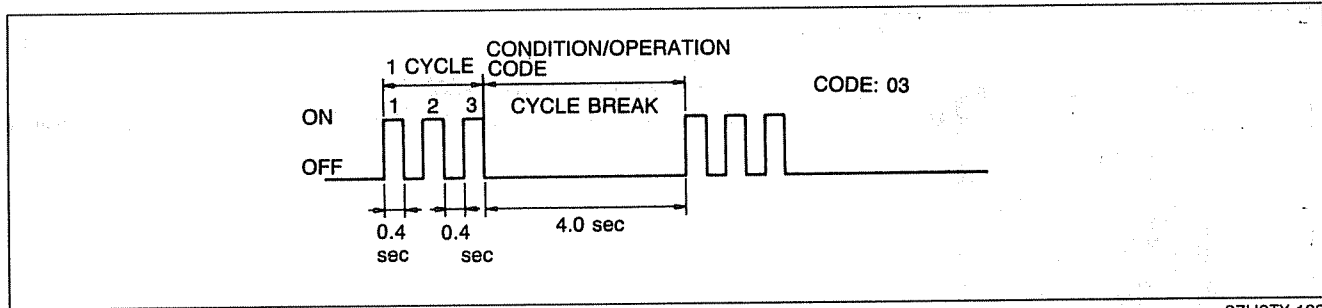
The time between condition/operation code cycles is 4.0 seconds (the time the lamp is off).



97U0TX-188

2. Second digit of condition/operation code (ones position)

The digit in the ones position of the condition/operation code represents the number of times the lamp is on 0.4 second during one cycle.

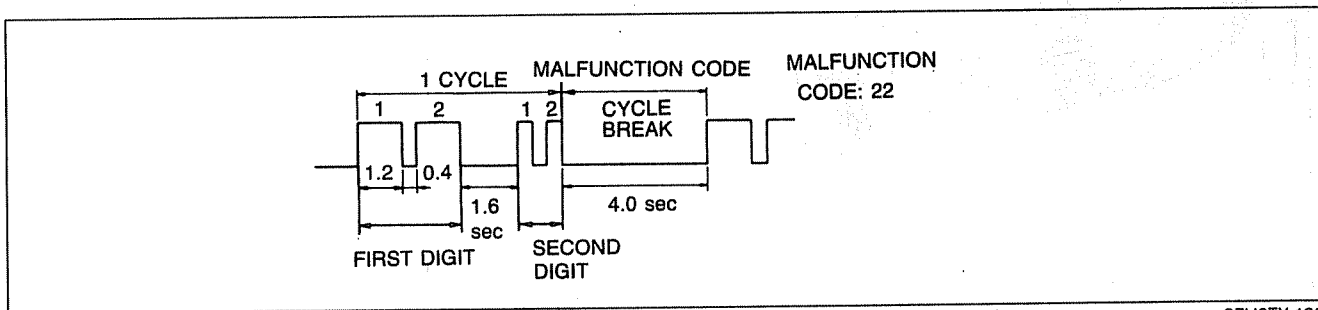


97U0TX-189

3. First digit of condition/operation code (tens position)

The digit in the tens position of the condition/operation code represents the number of times the lamp is on 1.2 seconds during one cycle.






The lamp remains off for 1.6 seconds between the long and short flashes.



97U0TX-190

Flashing code numbers

The test light will flash if a malfunction is present.

Pattern of output signal (CRUISE indicator lamp)	Code No.	Possible Cause	Action
ON  OFF	01	Defective harness (Actuator-Cruise control unit, Stoplight switch-Cruise control unit) Defective actuator Defective brake switch	Repair harness Inspect actuator (Refer to page T-78)
ON  OFF	05	STOP 15A fuse blown	Replace fuse
ON  OFF	07	Both stoplight switch and brake switch (for vehicle and cruise) are ON simultaneously	Inspect stoplight switch and brake switch (Refer to pages T-34 and T-80)
ON  OFF	11	Defective cruise control switch	Inspect cruise control switch (Refer to page T-81)
ON  OFF	15	Defective cruise control unit	Go to troubleshooting (Refer to page T-70)

06U0TX-080

Note






- If there is more than one malfunction, the code numbers will be indicated in numerical order.

Inspection of cruise control system

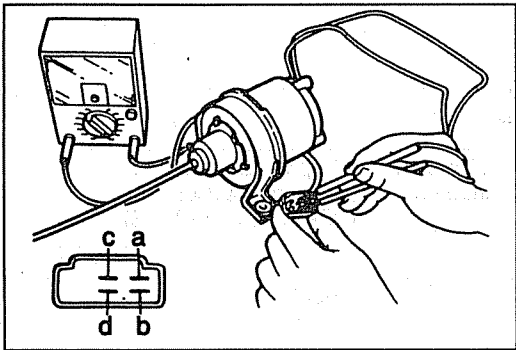
The test light will flash if the system is operating correctly. If the light fails to flash, inspect the system.

Note

- Shift the selector lever to D or R range before operating the inspection. (For ATX)
Shift the gear except the neutral position (For MTX)

Procedure	Pattern of output signal (test light)	Code No.	Action to inspect
Push SET/COAST switch	ON  OFF	21	Inspect cruise control switch (Refer to page T-81)
Push RESUME/ACCEL switch	ON  OFF	22	Inspect cruise control switch (Refer to page T-81)
Depress brake pedal	ON  OFF	31	Inspect brake switch (Refer to page T-80) and stoplight switch (Refer to page T-34)
Turn ignition switch to ON and shift the selector lever to P or N rang (For A/T). Depress clutch pedal (For M/T)	ON  OFF	35	Inspect inhibitor switch (Refer to Section K) or clutch switch (Refer to Section F)
Drive vehicle above 40 km/h (25 mph)	ON  OFF	37	Inspect speed sensor or wire harness

16U0TX-047



05U0TX-227

ACTUATOR

Inspection

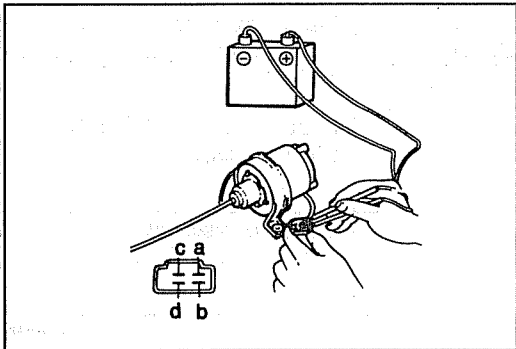
1. Measure the actuator solenoid resistance using an ohmmeter.

Check terminals	Resistance
c — a	Approx. 25 to 55Ω
c — b	
c — d	

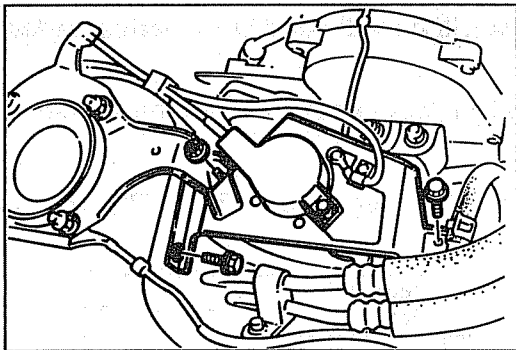
2. If not as specified, replace the actuator.
3. Apply battery voltage to the following terminals, and check the actuator operation.

Order	Terminal condition				Operation of control cable
	a	b	c	d	
1	Ground	Ground	Power	Ground	Pull
2	Ground	—	Power	Ground	Hold
3	Ground	—	Power	—	Extend
4	—	—	—	—	Release

4. If not as specified, replace the actuator.



9MU0TX-261



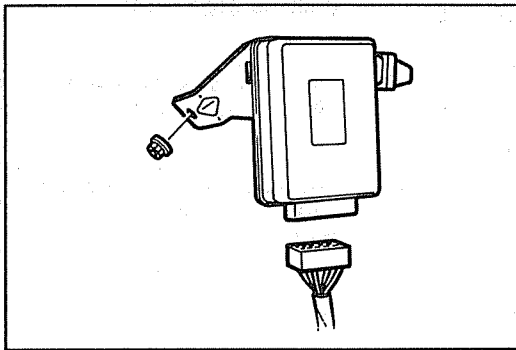
06U0TX-082

Removal

1. Disconnect the accelerator cable and vacuum hose from the actuator.
2. Remove the bolts and nut and the actuator.

Installation

Install in the reverse order of removal.



9MU0TX-268

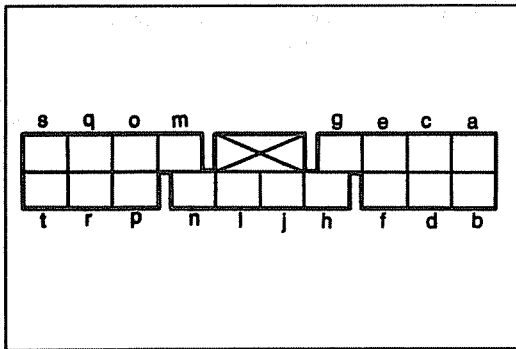
CRUISE CONTROL UNIT

Removal

1. Remove the passenger side kick panel.
2. Remove the nut and the control unit.

Installation

Install in the reverse order of removal.



16U0TX-068

Inspection

1. Check the terminal voltages of the control unit.
2. If the terminal voltage is correct, replace the control unit.

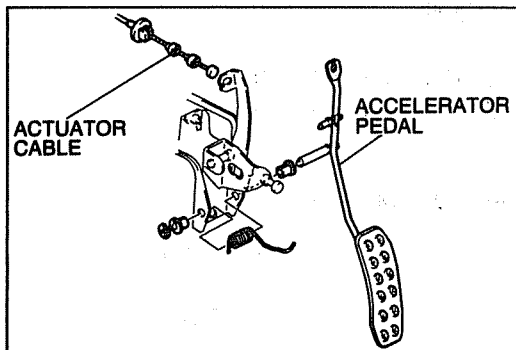
Terminal	Wire color	Connected to	Test condition	Specification	Action	
a	(G/B)	Actuator	Main switch OFF	0V	Check actuator (Refer to page T-79)	
			Main switch ON	9V		
b	(G/W)	Actuator	Main switch OFF	0V		
			Main switch ON	9V		
c	(G)	Actuator	Main switch OFF	0V		
			Main switch ON	9V		
e	(G/O)	Main switch	Main switch OFF	12V		Check main switch (Refer to page T-81)
			Main switch ON	0V		
f	(G/Y)	Main switch	Main switch OFF	0V		
			Main switch ON	12V		
h	(L/O)	Brake switch	Brake pedal depressed	0V	Check brake switch (Refer to page T-80)	
			Brake pedal released	9V		
j	(LG/B) ^{*1}	Clutch switch	Clutch pedal depressed	0V	Check clutch switch (Refer to page T-80)	
			Clutch pedal released	12V		
	(G) ^{*2} (B/Y) ^{*3}	Inhibitor switch	"N" or "P" range	0V	Inspect Inhibitor switch (Refer to Section K)	
			Other range	12V		
i	(L/R)	Cruise control switch (Set switch and Coast switch)	Main switch ON	12V	Check cruise control switch (Refer to page T-81)	
			While pushing set switch Main switch ON	0V		
m	(W/G)	Stoptlight switch	Brake pedal depressed	12V	Check stoptlight switch (Refer to page T-34)	
			Brake pedal released	0V		
n	(L)	Cruise control switch (Resume switch and Accel switch)	Main switch ON	12V	Check cruise control switch (Refer to page T-81)	
			While pushing resume switch Main switch ON	0V		
o	(L/W)	Actuator	Main switch OFF	0V	Check actuator (Refer to page T-78)	
			Main switch ON	9V		
p	(G/R)	Speed sensor	While rotating rear tires	Cycles 0-5V	Check speed sensor	
s	(G/W)	Battery	Constant	12V	Repair wire	

06U0TX-083

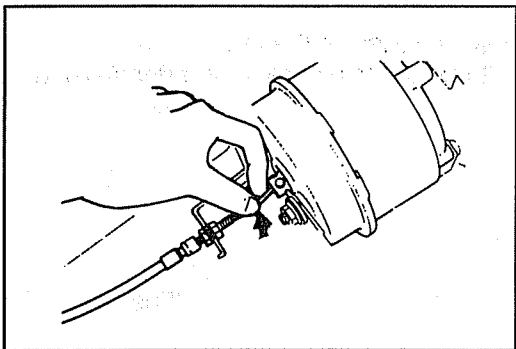
*1: M/T

*2: A/T with Theft-deterrent

*3: A/T without Theft-deterrent



9MU0TX-263



9MU0TX-264

ACTUATOR CABLE

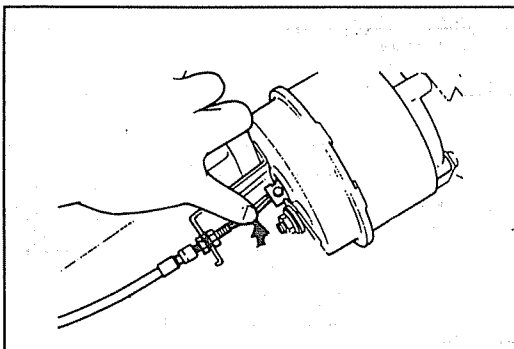
Removal

1. Disconnect the actuator cable from the accelerator pedal.
2. Remove the clamp at the inside of the firewall.

3. Disconnect the actuator cable from the actuator.
4. Remove the clamps and the actuator cable.

Installation

Install in the reverse order of removal.

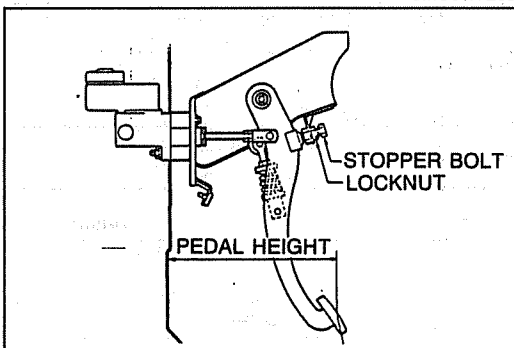


9MU0TX-265

Adjustment

Remove the clamp and adjust the nut so that actuator cable free play is as shown when the cable is pressed lightly.

Cable play: 1—3mm (0.04—0.12 in)



06U0TX-131

CLUTCH SWITCH

Removal

Loosen the locknut and remove the switch.

Installation

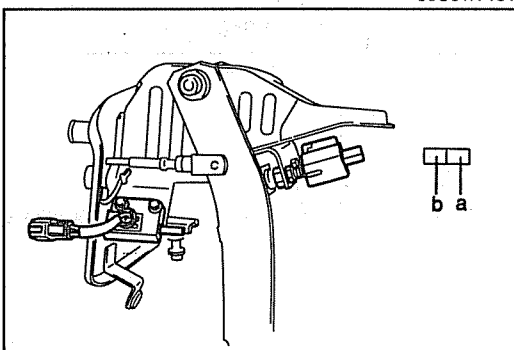
Install in the reverse order of removal.

Adjustment

Adjust the switch to set the specified pedal height.

**Pedal height: 171—181mm (6.73—7.13 in)
(With carpet)**

Pedal free play: 0.6—3.0mm (0.02—0.12 in)



05U0TX-229

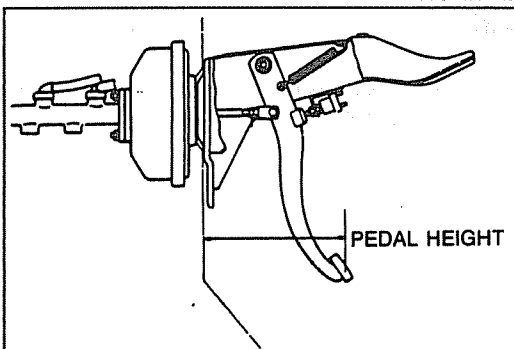
Inspection

1. Disconnect the clutch switch connector.
2. Check continuity between terminals of the switch.

Pedal position	Terminal	
	a	b
Pedal released		
Pedal depressed	○—○	○—○

○—○: Indicates continuity

3. If not as specified, replace the clutch switch.



06U0TX-132

BRAKE SWITCH

Removal

Loosen the locknut and remove the switch.

Installation

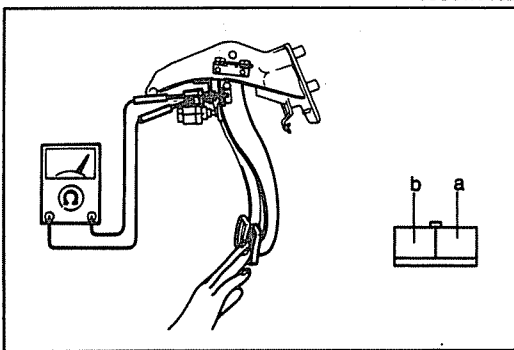
Install in the reverse order of removal.

Adjustment

Adjust the switch to set the specified pedal height.

**Pedal height: 171—181mm (6.73—7.13 in)
(With carpet)**

Pedal free play: 4—7mm (0.16—0.28 in)



05U0TX-230

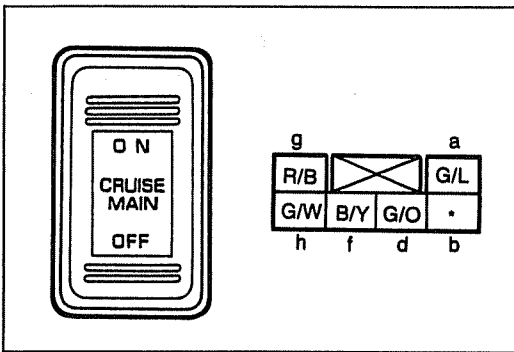
Inspection

1. Disconnect the brake switch connector.
2. Check continuity between terminals of the switch.

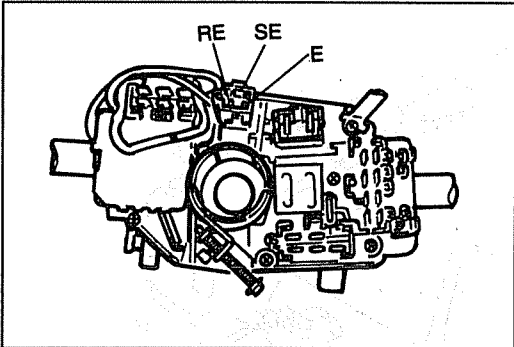
Pedal position	Terminal	
	a	b
Pedal released	○—○	○—○
Pedal depressed		

○—○: Indicates continuity

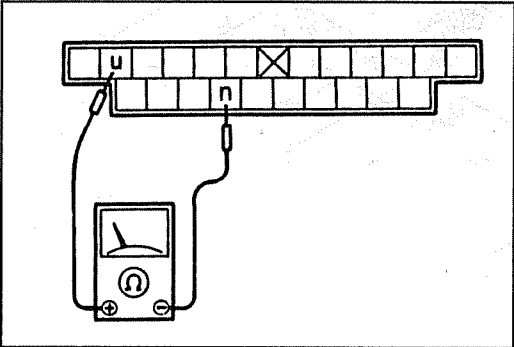
3. If not as specified, replace the brake switch.
4. If the switch is OK, repair the wire harness (Fuse — Brake switch — Control unit).



05U0TX-231



05U0TX-232



16U0TX-048

CRUISE CONTROL MAIN SWITCH

Inspection

1. Check continuity between terminals of the cruise control main switch.

Position	Terminal					
	a	b	d	f	g	h
Neutral			○—○		○—○	
Off					○—○	○—○
On	○—○		○—○	○—○	○—○	○—○

○—○: Indicates continuity

2. If not as specified, replace the cruise control main switch.

CRUISE CONTROL SWITCH

Inspection

1. Remove the knee protector and disconnect the combination switch connector.
2. Check continuity between terminals of the combination switch connector.

Switch	Terminal		
	SE	RE	E
SET/COAST	○—○		○—○
RESUME/ACCEL		○—○	○—○

○—○: Indicates continuity

3. If not as specified, replace the cruise control switch.

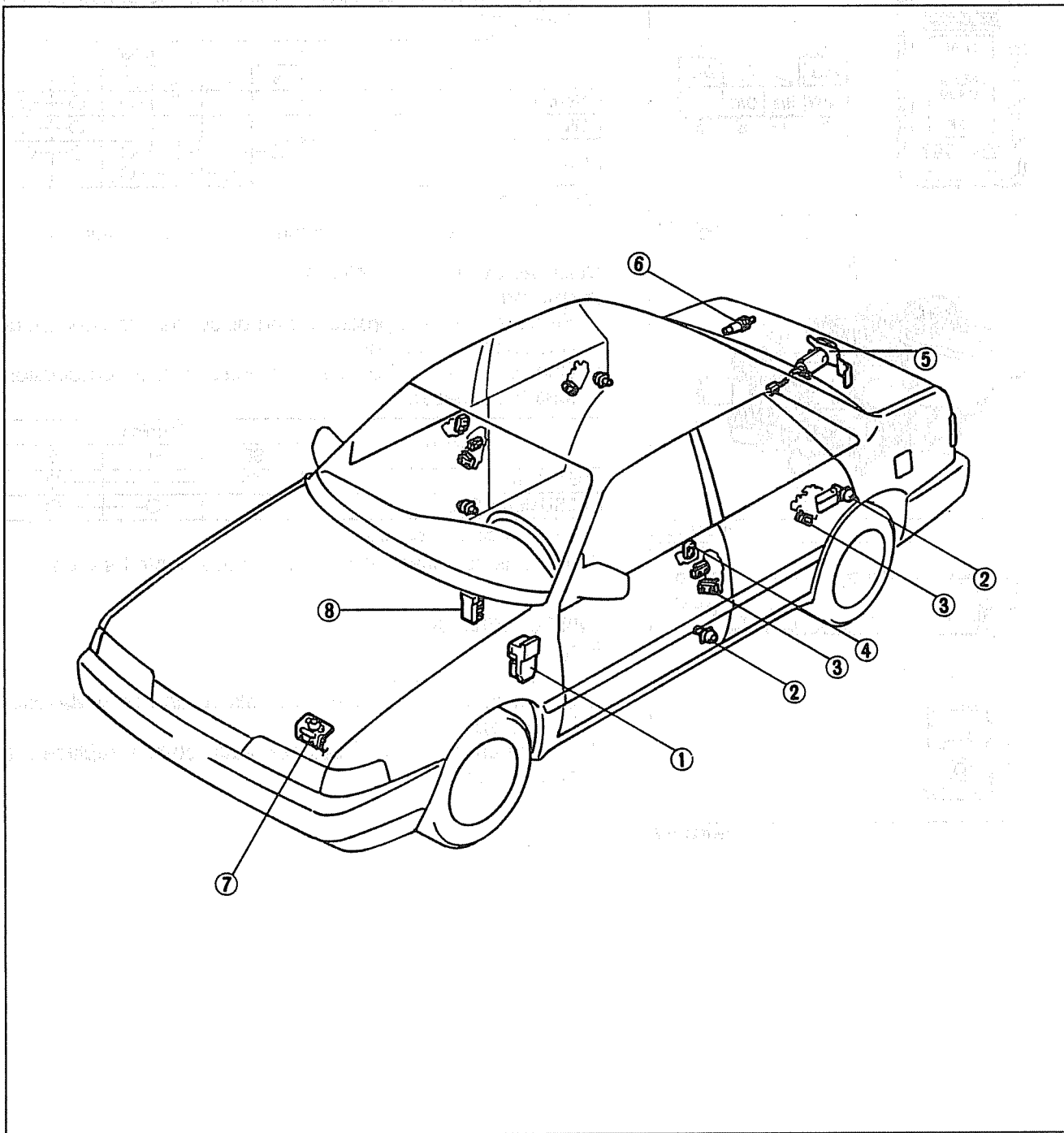
SPEED SENSOR

Inspection

1. Remove the instrument cluster.
2. Check continuity between terminals 1U and 1N while rotating the speedometer cable.
3. If there are not four pulses per shaft rotation, replace the speed sensor.

THEFT-DETERRENT SYSTEM

STRUCTURAL VIEW



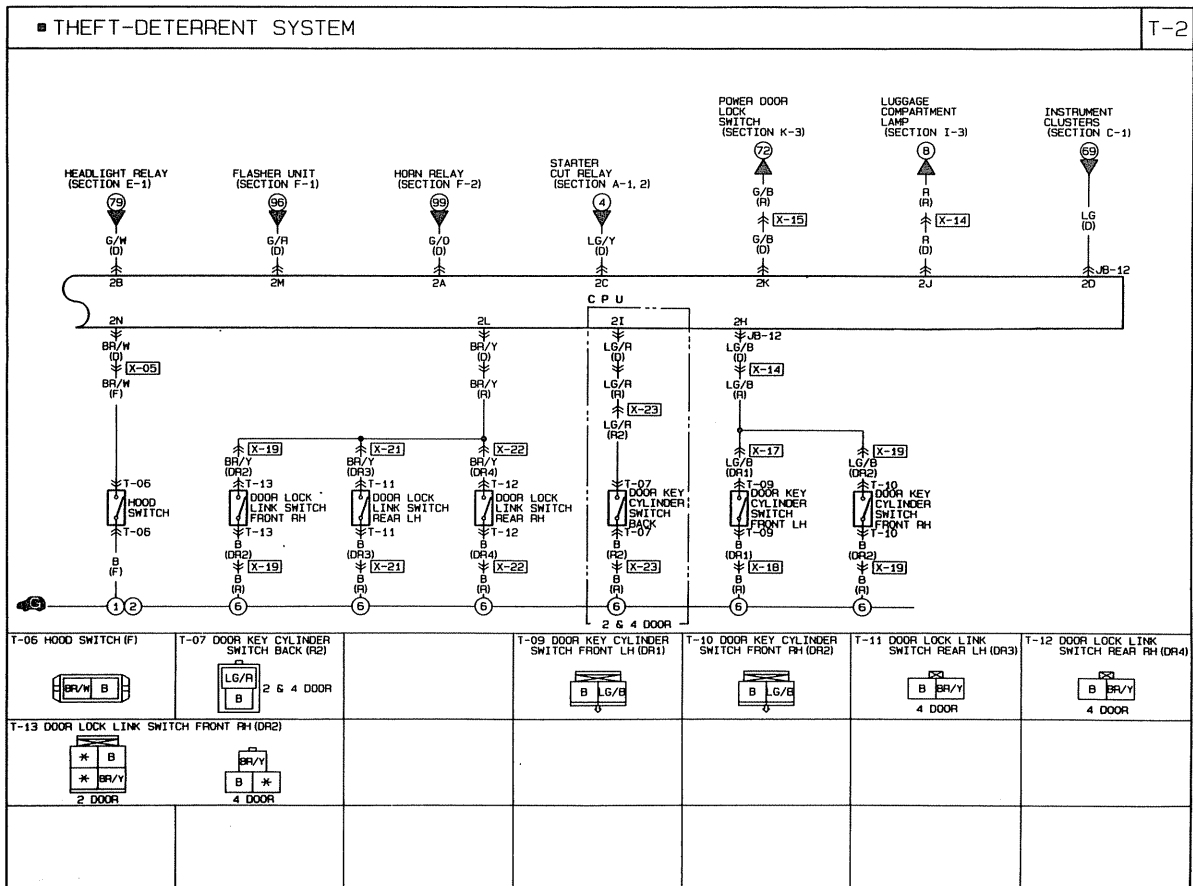
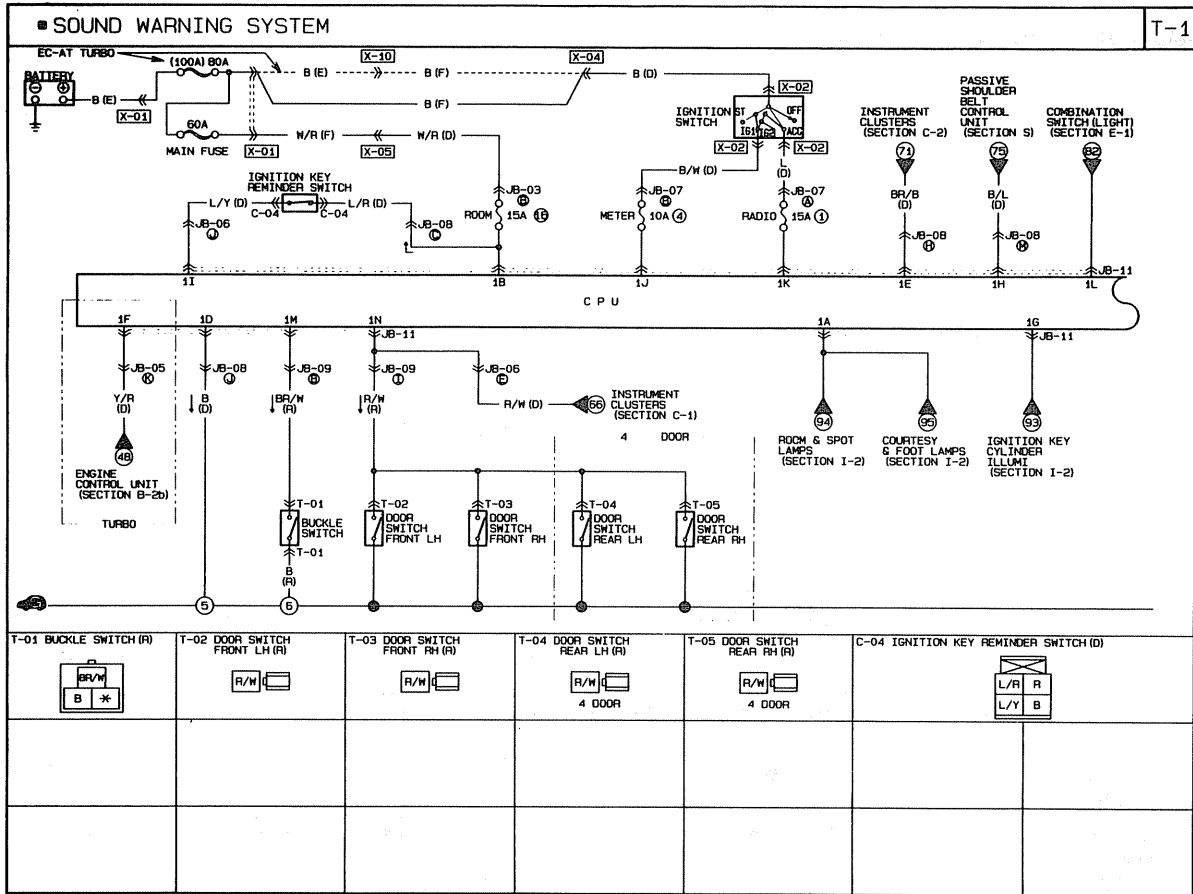
16U0TX-049

- | | |
|--|--|
| 1. Control unit (in CPU)
Removal / Installation page T-68
On-vehicle inspection..... page T-68 | 5. Back door key cylinder switch
Inspection page T-89 |
| 2. Door switch
Inspection page T-61 | 6. Back door switch
Inspection page T-61 |
| 3. Lock link switch
Inspection page T-89 | 7. Hood switch
Inspection page T-89 |
| 4. Door key cylinder switch
Inspection page T-89 | 8. Starter cut relay
Inspection page T-90 |
| | 9. Headlight relay
Inspection page T-89 |

THEFT-DETERRENT SYSTEM


T

CIRCUIT DIAGRAM



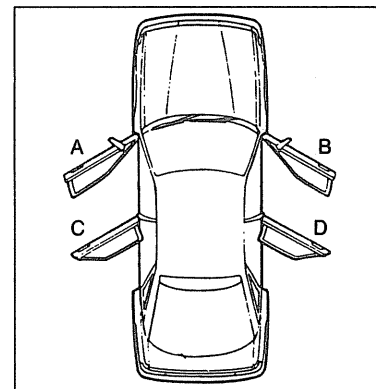
SYSTEMS INSPECTION

Perform the Systems Inspection to check overall operation of the theft-deterrent system. Refer to the Inspection flowchart or Diagnosis Chart as directed if a problem is found.

Step	Procedure	Proper operation	Problem	Action
1	Open door A* window, and remove ignition key	Go to step 2		
2	Open door A, and lock all door lock knobs	Security lamp ON OFF — DOOR LOCKED	Lamp does not come on	Go to Insp. A
		Buzzer DOOR LOCKED	Buzzer does not sound	Replace control unit
3	Close door A with outer handle pulled	Security lamp 	Lamp does not come on	Replace control unit
4	Open trunk with key	Go to step 5		
5	Unlock door A lock knob	Horn sounds	Horn does not sound	Go to Insp. B
		Headlights and hazard warning lights flash	Light does not come on	Go to Insp. C
6	Turn ignition switch to START	Starter does not operate	Starter works	Go to Insp. D
7	Turn door A key cylinder to "unlock"	Go to step 8		
8	Remove STOP fuse, and retest steps 1,2,3, and 5	Headlights and hazard warning lights flash for 5 min.	Lights do not continue flashing for 5 min.	Replace control unit

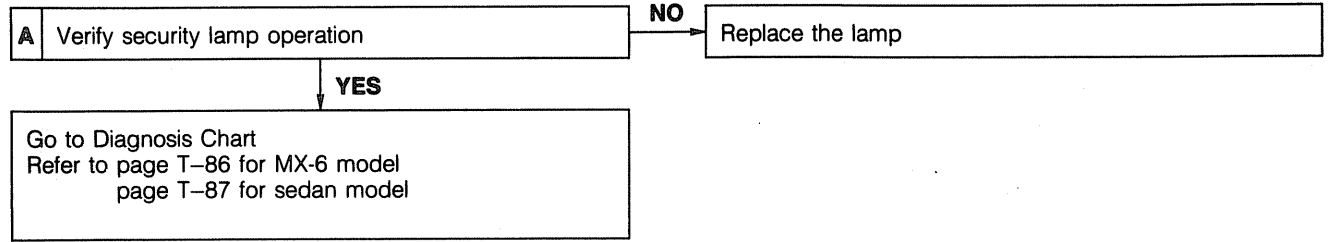
06U0TX-086

Door guide

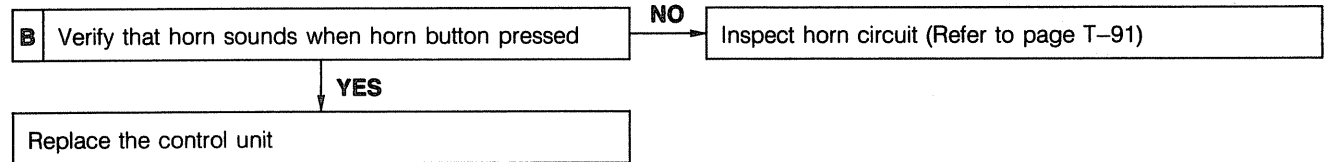


96U15X-183

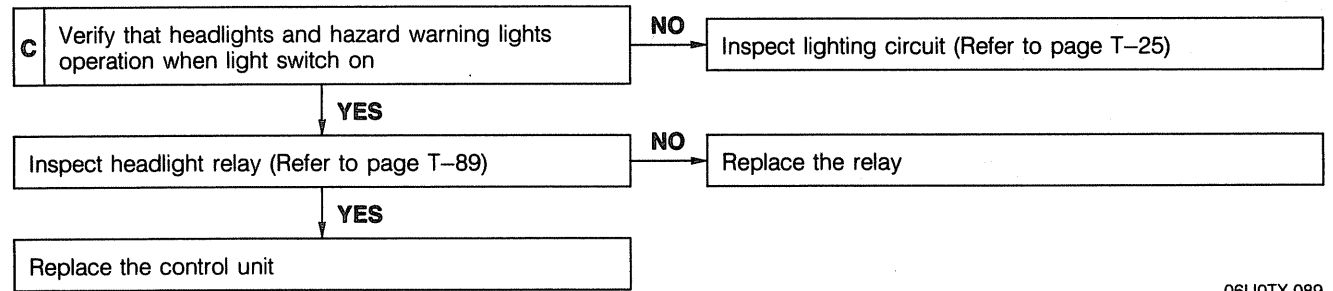
Inspection Flowchart



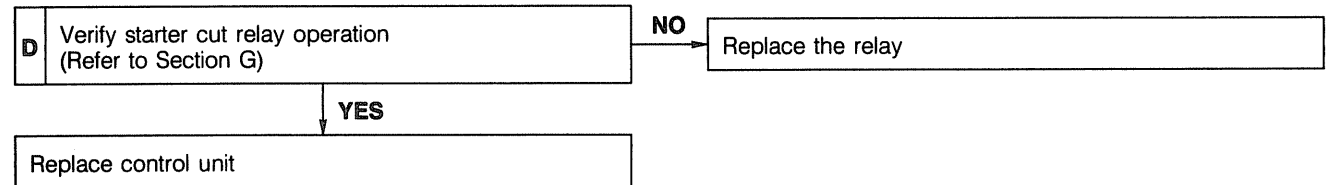
16U0TX-050



16U0TX-069

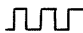
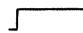
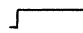

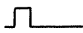
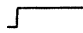
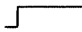
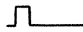
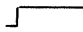
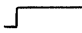
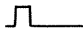
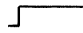
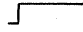
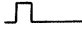
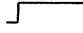


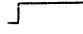
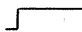
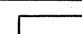
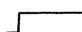
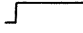


06U0TX-089



06U0TX-090

Diagnosis Chart
MX-6 model

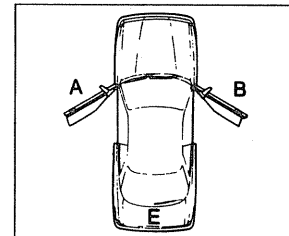
No.	Procedure	Result			Action
		Security lamp	Chime	Interior lamp	
1	Turn ignition switch OFF. Open door A.	OFF			Repair keyless switch. (Open circuit)
2	Remove ignition key.	OFF	OFF		Repair keyless switch. (Short circuit)
3	Sit in driver's seat with door A open. Lock door A and B lock knobs.				
4	Unlock and lock door A lock knob.				Repair door A lock link switch.
5	Unlock and lock door B lock knob.				Repair door B lock link switch.
6	Unlock door A and B lock knobs.	OFF	OFF		
7	Pull hood release lever.		OFF		Repair hood switch.
8	Pull trunk release lever.		OFF		Repair trunk switch.
9	Remove key and exit vehicle.	OFF	OFF		
10	Close door A.	OFF	OFF	OFF	Repair door A switch.
11	Turn door A key cylinder to "un- lock" and hold in position.		OFF	OFF	Repair door A key cylinder switch.
12	Remove key.	OFF	OFF	OFF	
13	Turn door E (trunk) key cylinder to "unlock" and hold in position.		OFF	OFF	Repair trunk key cylinder switch.
14	Remove key.	OFF	OFF	OFF	
15	Close trunk.	OFF	OFF	OFF	
16	Turn door B key cylinder to "un- lock" and hold in position.		OFF	OFF	Repair door B key cylinder switch.
17	Remove key.	OFF	OFF	OFF	
18	Open door B.	OFF	OFF		Repair door B switch.
19	Close door B.	OFF	OFF	OFF	
20	Close hood.	OFF	OFF	OFF	

ALL OK

06U0TX-091

Replace the control unit


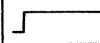
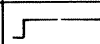
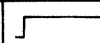
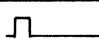
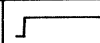
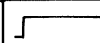
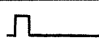
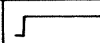
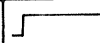
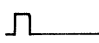

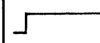
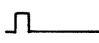
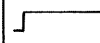
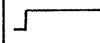
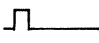
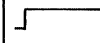

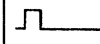
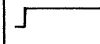
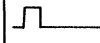

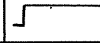
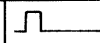
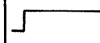
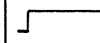
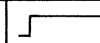
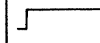
Door guide



THEFT-DETERRENT SYSTEM

T

Sedan model

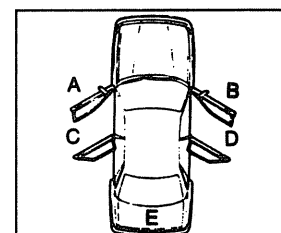
No.	Procedure	Result			Action
		Security lamp	Chime	Interior lamp	
1	Turn ignition switch OFF. Open door A.	OFF			Repair keyless switch. (Open circuit)
2	Remove ignition key.	OFF	OFF		Repair keyless switch. (Short circuit)
3	Sit in driver's seat with door A open. Lock all door lock knobs.				
4	Unlock and lock door A lock knob.				Repair door A lock link switch.
5	Unlock and lock door C lock knob.				Repair door C lock link switch.
6	Unlock and lock door D lock knob.				Repair door D lock link switch.
7	Unlock and lock door B lock knob.				Repair door B lock link switch.
8	Unlock all door lock knobs.	OFF	OFF		
9	Pull hood release lever.		OFF		Repair hood switch.
10	Pull trunk release lever.		OFF		Repair trunk switch.
11	Remove key and exit vehicle.	OFF	OFF		
12	Close door A.	OFF	OFF	OFF	Repair door A switch.
13	Turn door A key cylinder to "un- lock" and hold in position.		OFF	OFF	Repair door A key cylinder switch.
14	Remove key.	OFF	OFF	OFF	
15	Open door C.	OFF	OFF		Repair door C switch.
16	Close door C.	OFF	OFF	OFF	
17	Turn door E (trunk) key cylinder to "unlock" and hold in position.		OFF	OFF	Repair door E key cylinder switch.
18	Remove key.	OFF	OFF	OFF	
19	Close trunk.	OFF	OFF	OFF	
20	Open door D.	OFF	OFF	OFF	Repair door D switch.
21	Close door D.	OFF	OFF	OFF	
22	Turn door B key cylinder to "un- lock", and hold in position.		OFF	OFF	Repair door B key cylinder switch.
23	Remove key.	OFF	OFF	OFF	
24	Open door B.	OFF	OFF		Repair door B switch.
25	Close door B.	OFF	OFF	OFF	
26	Close hood.	OFF	OFF	OFF	

06U0TX-092

↓ ALL OK

Replace the control unit

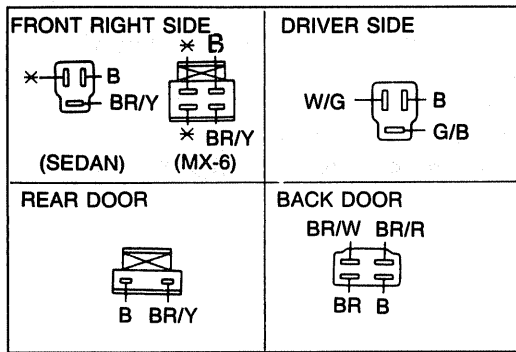
Door guide



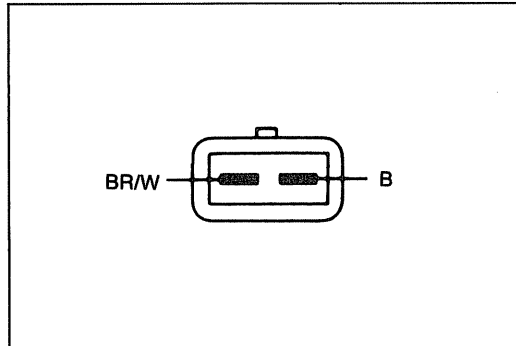
T

THEFT-DETERRENT SYSTEM

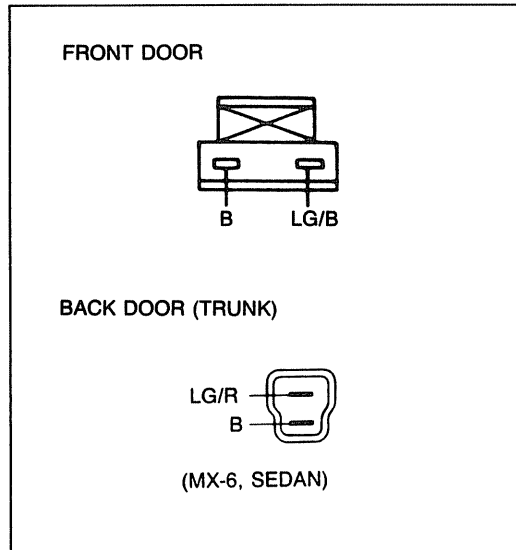
MEMO



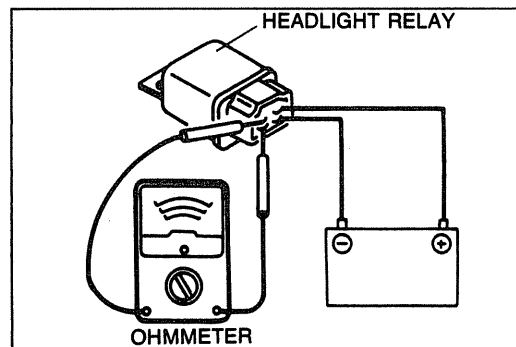
06U0TX-094



96U15X-188



16U0TX-070



67U15X-053

INSPECTION

Lock Link Switch

1. Check continuity of the switches with an ohmmeter.

Door	Terminals	Condition	Continuity
Driver side	G/B — B	Unlocked	Yes
		Locked	No
Front right side	BR/Y — B	Unlocked	Yes
		Locked	No
Rear left side	BR/Y — B	Unlocked	Yes
		Locked	No
Rear right side	BR/Y — B	Unlocked	Yes
		Locked	No
Back door (Trunk)	BR/Y — B	Unlocked	Yes
		Locked	No

2. If not as specified, replace the switch.

Hood Switch

1. Check continuity of the switch with an ohmmeter.

Terminal	Condition	Continuity
BR/W — B	Open	Yes
	Close	No

2. If not as specified, replace the switch.

Door Key Cylinder Switch

1. Check continuity of the switch with an ohmmeter.

Door	Terminal	Condition	Continuity
Driver side	LG/B — B	Unlocked	Yes
		Locked	No
Front right side	LG/B — B	Unlocked	Yes
		Locked	No
Back door (Trunk)	LG/R — B	Unlocked	Yes
		Locked	No

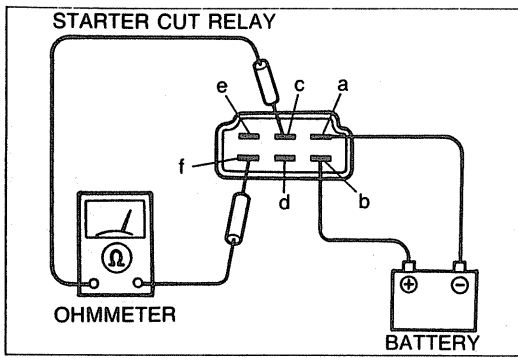
2. If not as specified, replace the switch.

Door Switch

Refer to page T-61.

Headlight relay

1. Connect the headlight relay, battery and an ohmmeter as shown in the figure.
2. First check that there is continuity, then disconnect the battery and check that there is no continuity.
3. If the continuity is not as specified, replace the relay.



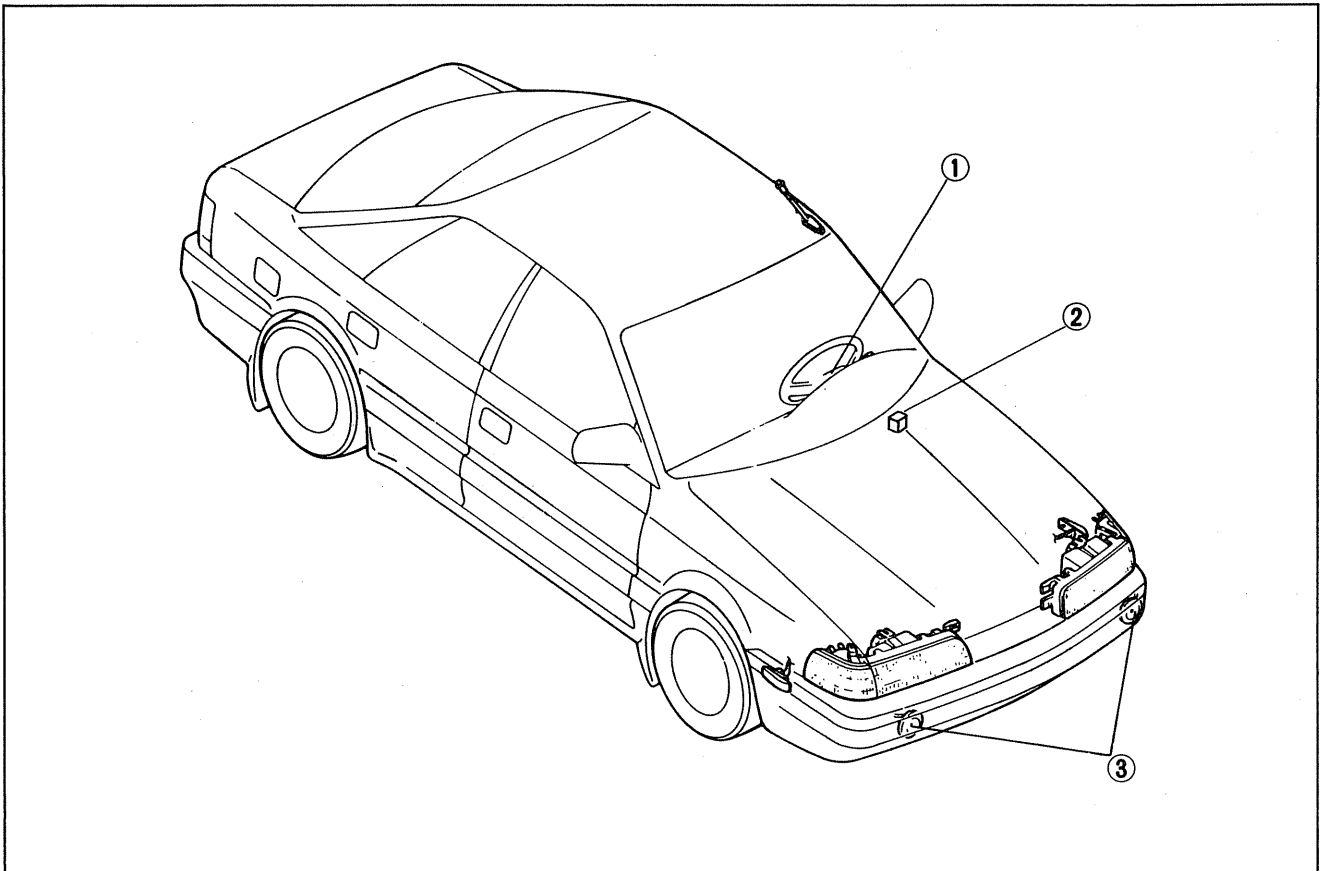
06U0TX-096

Starter Cut Relay

1. Connect the starter cut relay, battery and an ohmmeter as shown in the figure.
2. First check that there is no continuity, then disconnect the battery and check that there is continuity.
3. If the continuity is not as specified, replace the relay.

HORN

STRUCTURAL VIEW



16U0TX-051

- 1. Horn switch
- 2. Horn relay

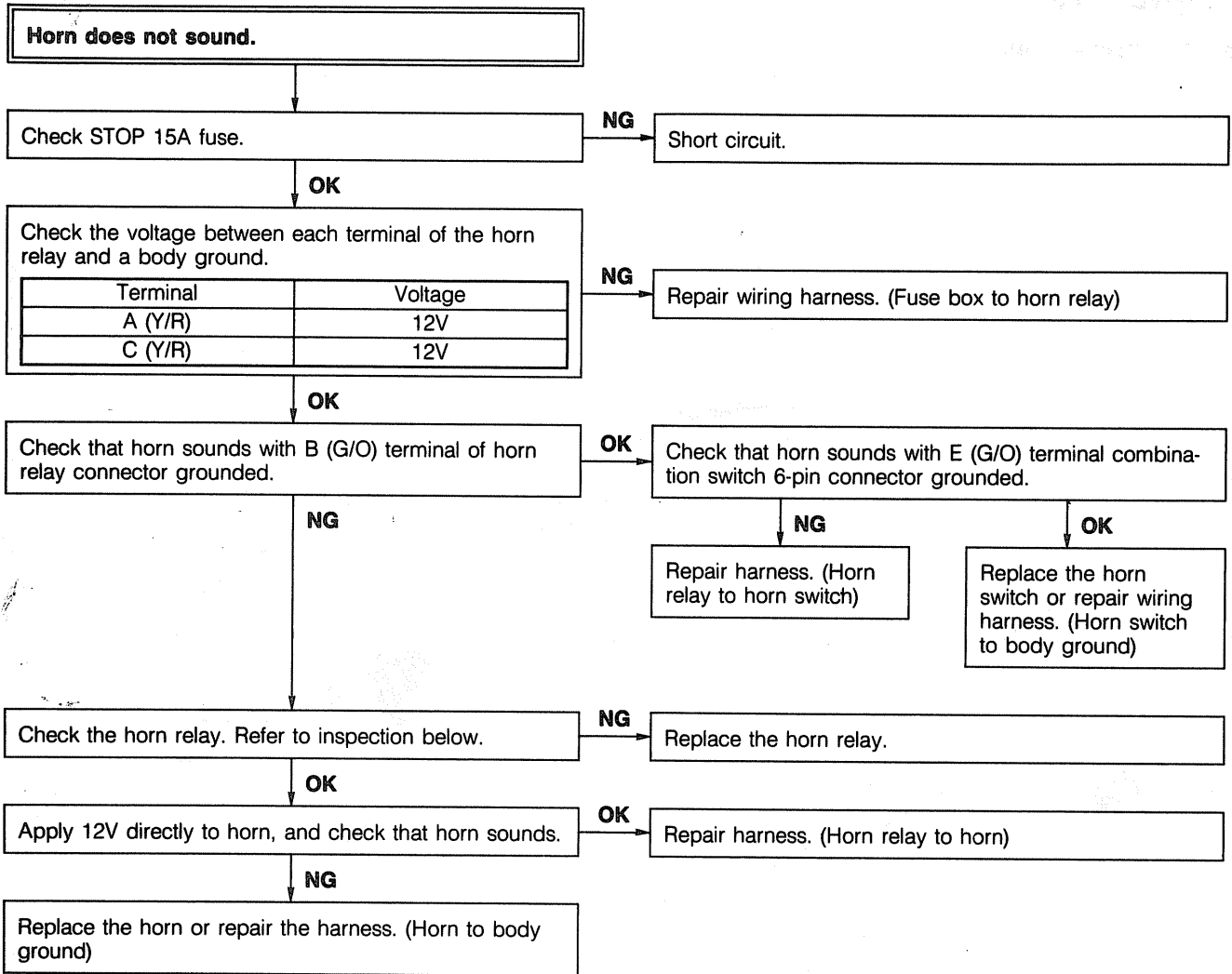
- 3. Horn

Inspection page T-93

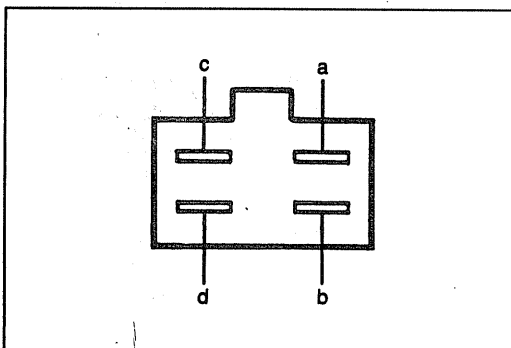
T

HORN

MEMO



06U0TX-098



86U15X-092

**INSPECTION
Horn Relay**

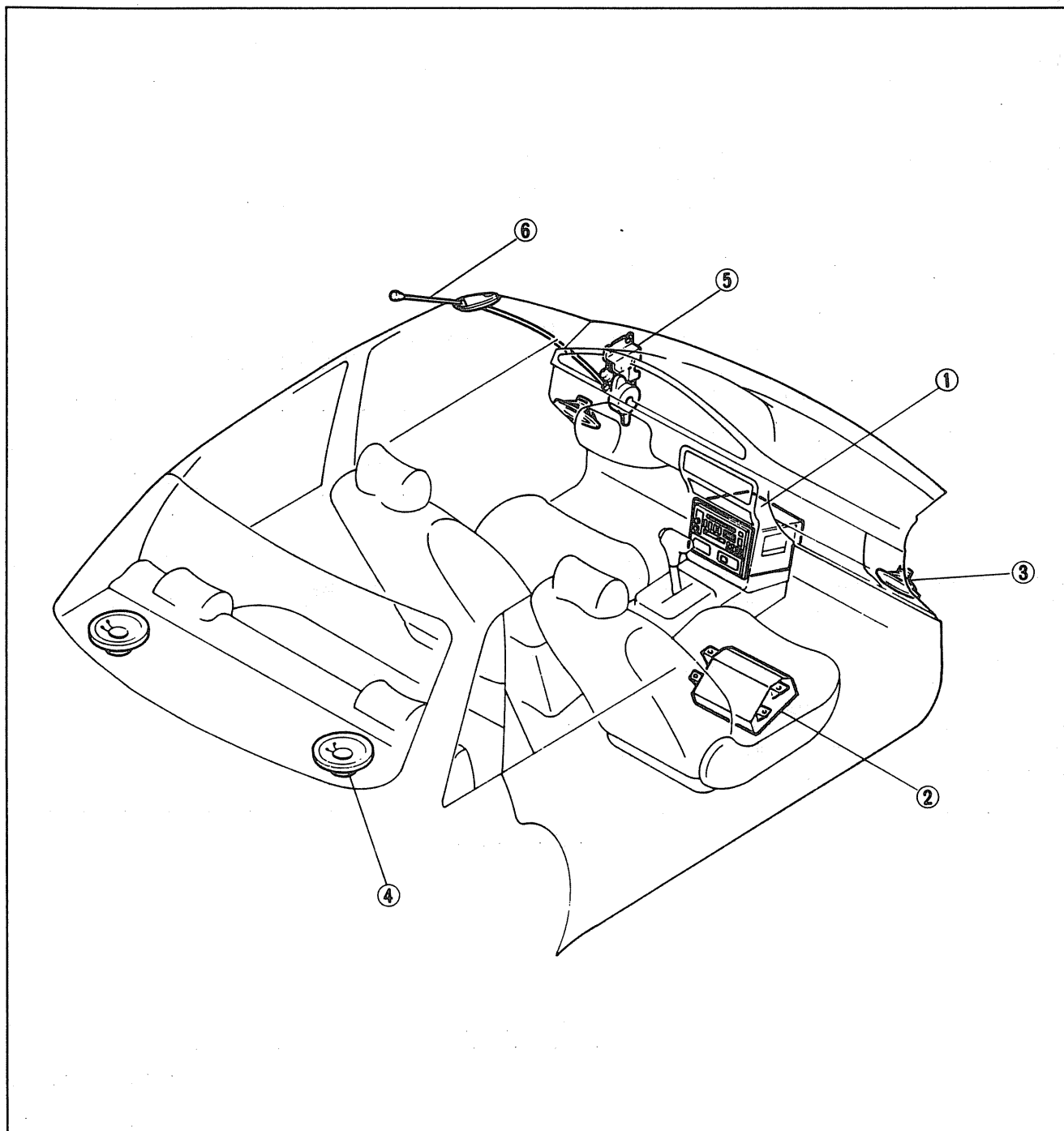
Check for continuity between terminals of the relay.

Connecting to		Terminal			
12V	Ground	a	b	c	d
—	—	○	○		
a	b			○	○

○—○: Indicates continuity

AUDIO SYSTEM

STRUCTURAL VIEW



16U0TX-052

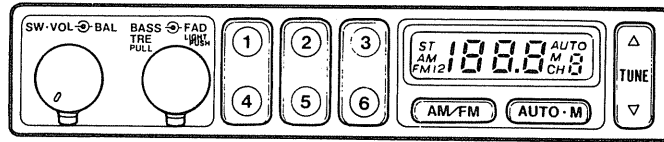
- 1. Audio unit
Removal / Installation page T-111
- 2. 3D woofer
Removal / Installation page T-112
- 3. Front speaker
Removal / Installation page T-112
Inspection page T-112
- 4. Rear speaker
Removal / Installation page T-112
Inspection page T-112

- 5. Power antenna motor
Disassembly / Assembly page T-113
Inspection page T-114
Removal page T-116
Installation page T-117
- 6. Antenna mast
Disassembly / Assembly page T-113
Removal page T-116
Installation page T-117

OUTLINE OF AUDIO

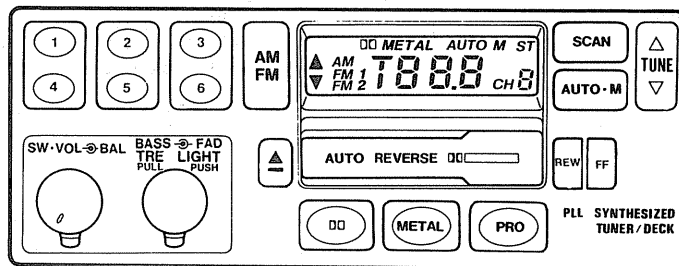
TYPE 1 (RADIO)

ID No. 2E60



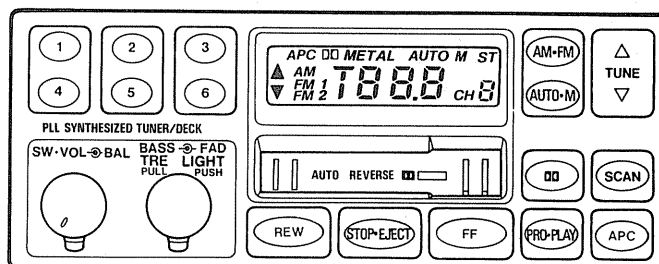
TYPE 2 (RADIO, CASSETTE DECK)

ID No. 3260



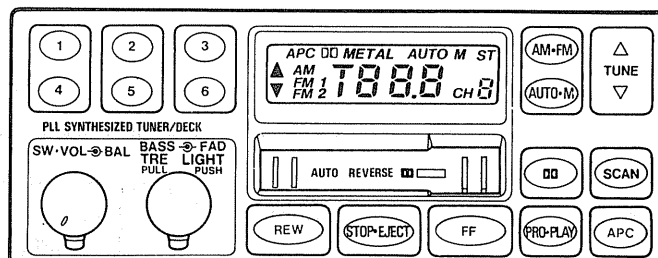
TYPE 3 (RADIO, CASSETTE DECK)

ID No. 3261

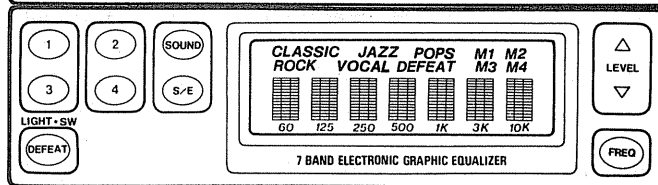


TYPE 4 (RADIO, CASSETTE DECK + GRAPHIC EQUALIZER)

ID No. 3261



ID No. 3G02

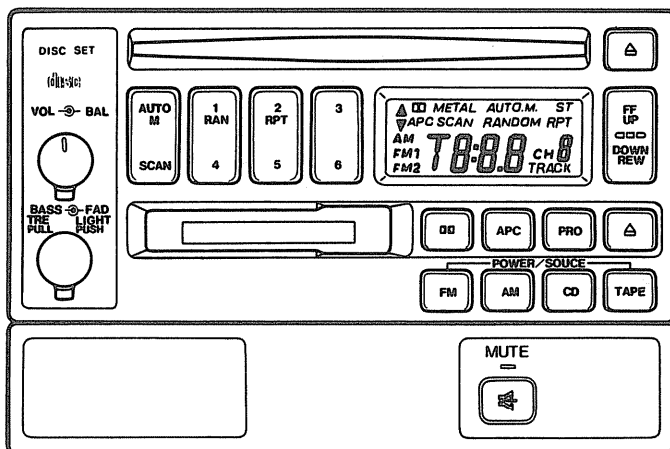


AUDIO SYSTEM

TYPE 5 (RADIO, CASSETTE DECK, CD PLAYER + AE SYSTEM)

ID No. 6263

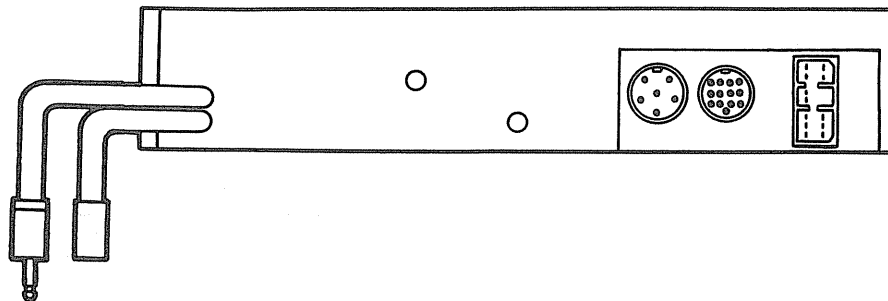
ID No. 6V05



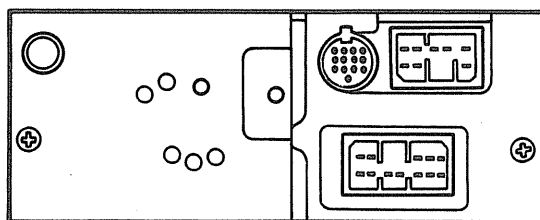
06U0TX-100

Rear View

(RADIO)

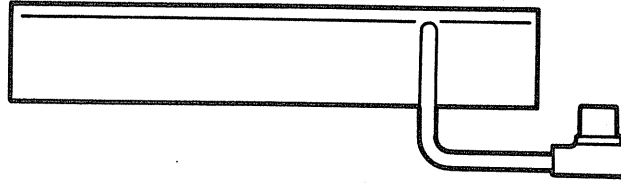


(RADIO, CASSETTE DECK)

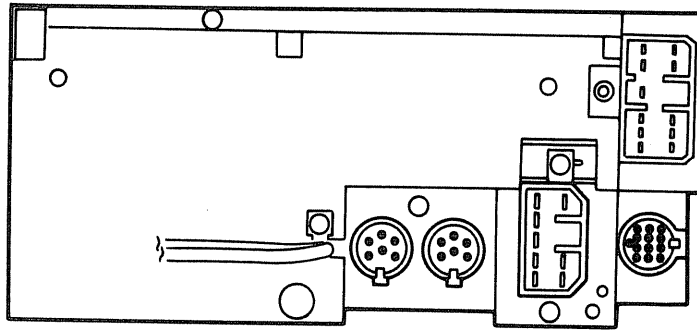


06U0TX-101

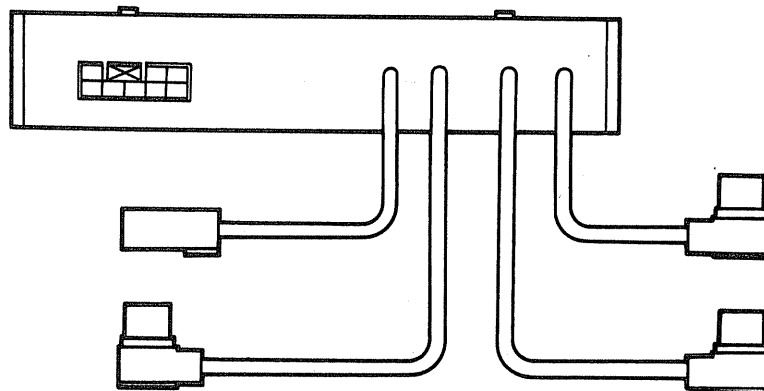
(GRAPHIC EQUALIZER)



(RADIO, CASSETE DECK, CD PLAYER)

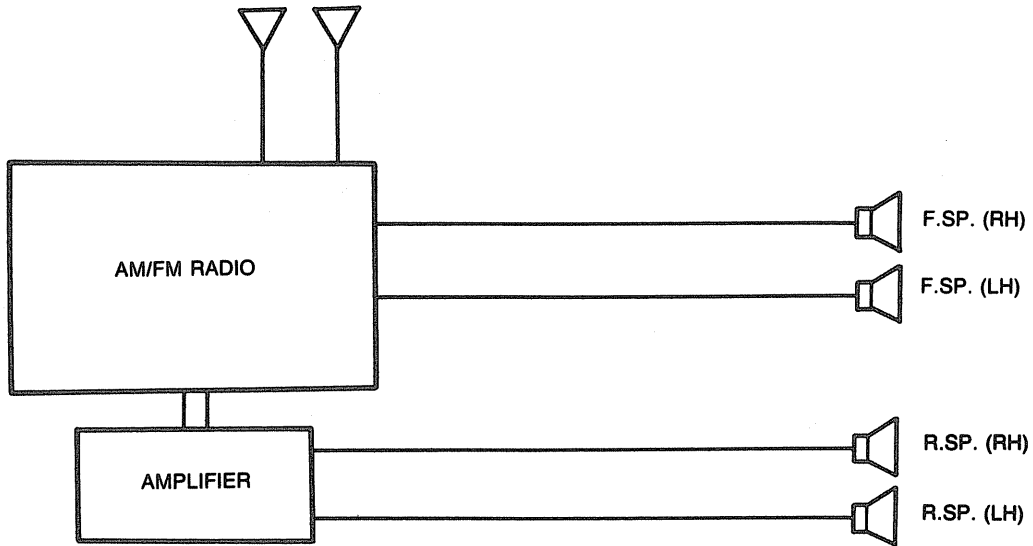


(AE SYSTEM)

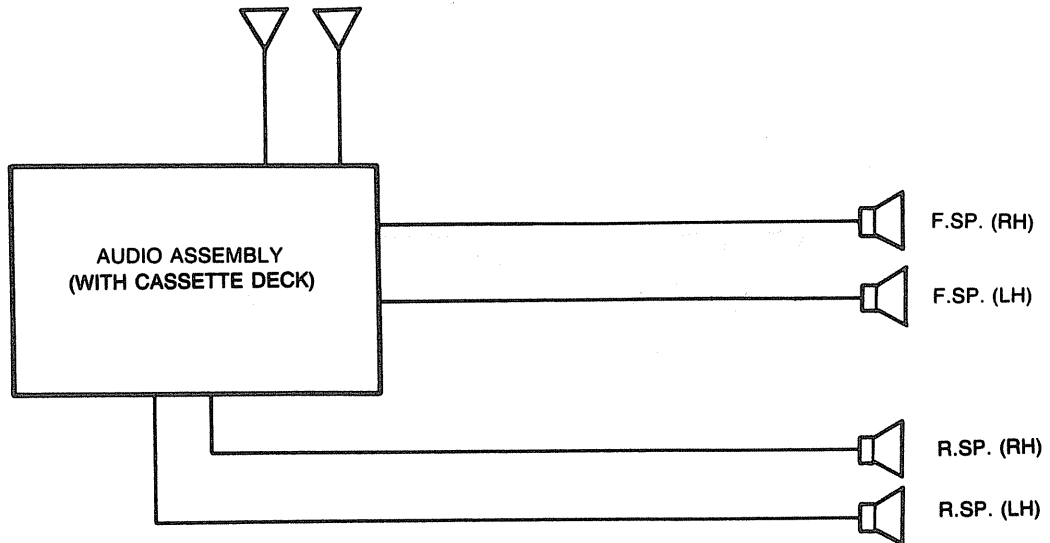


SYSTEM

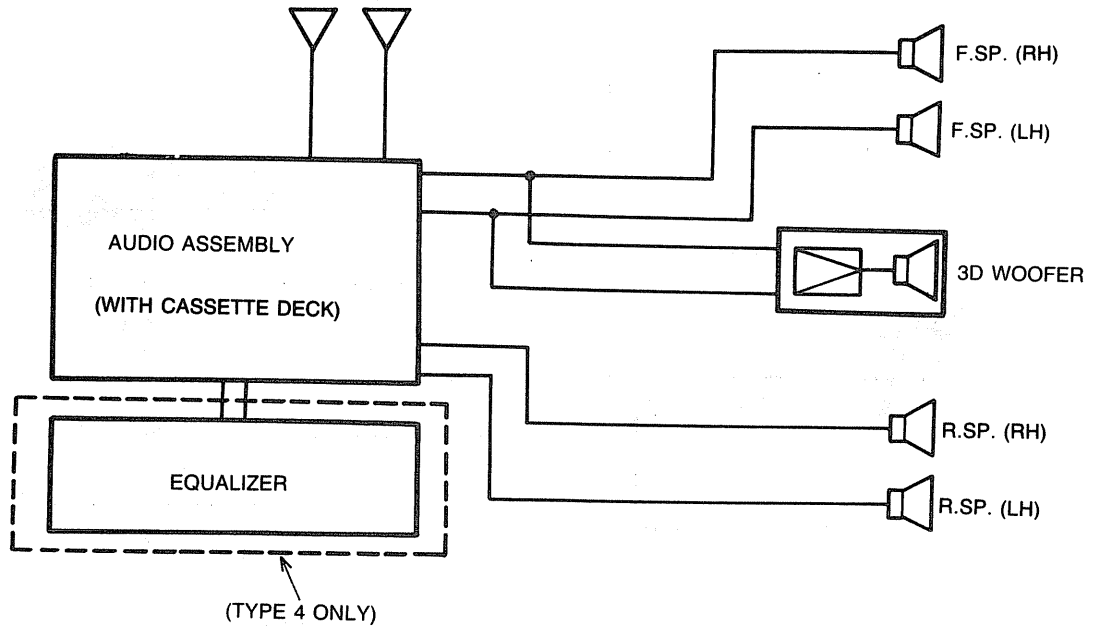
TYPE 1



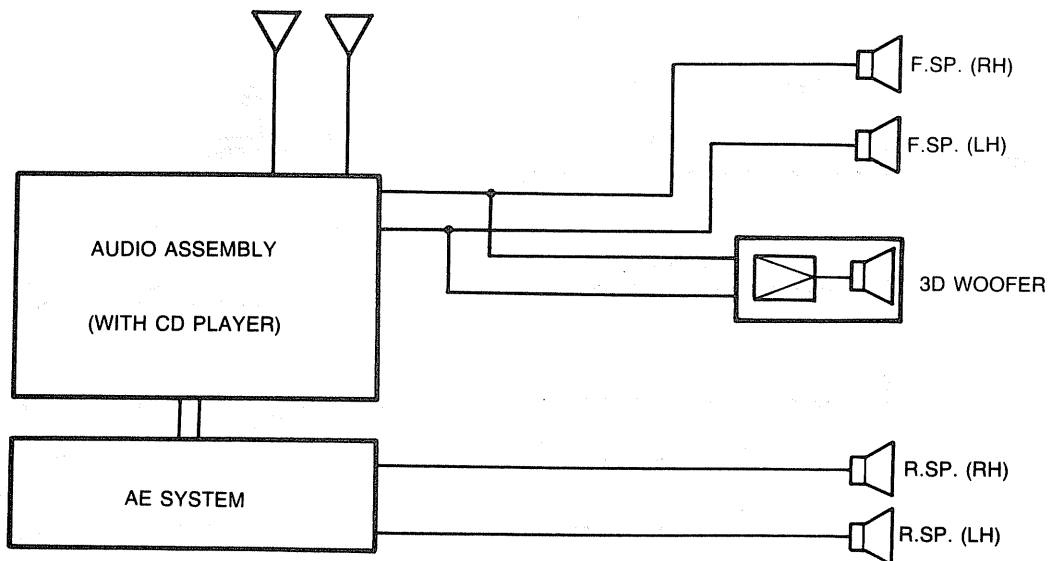
TYPE 2



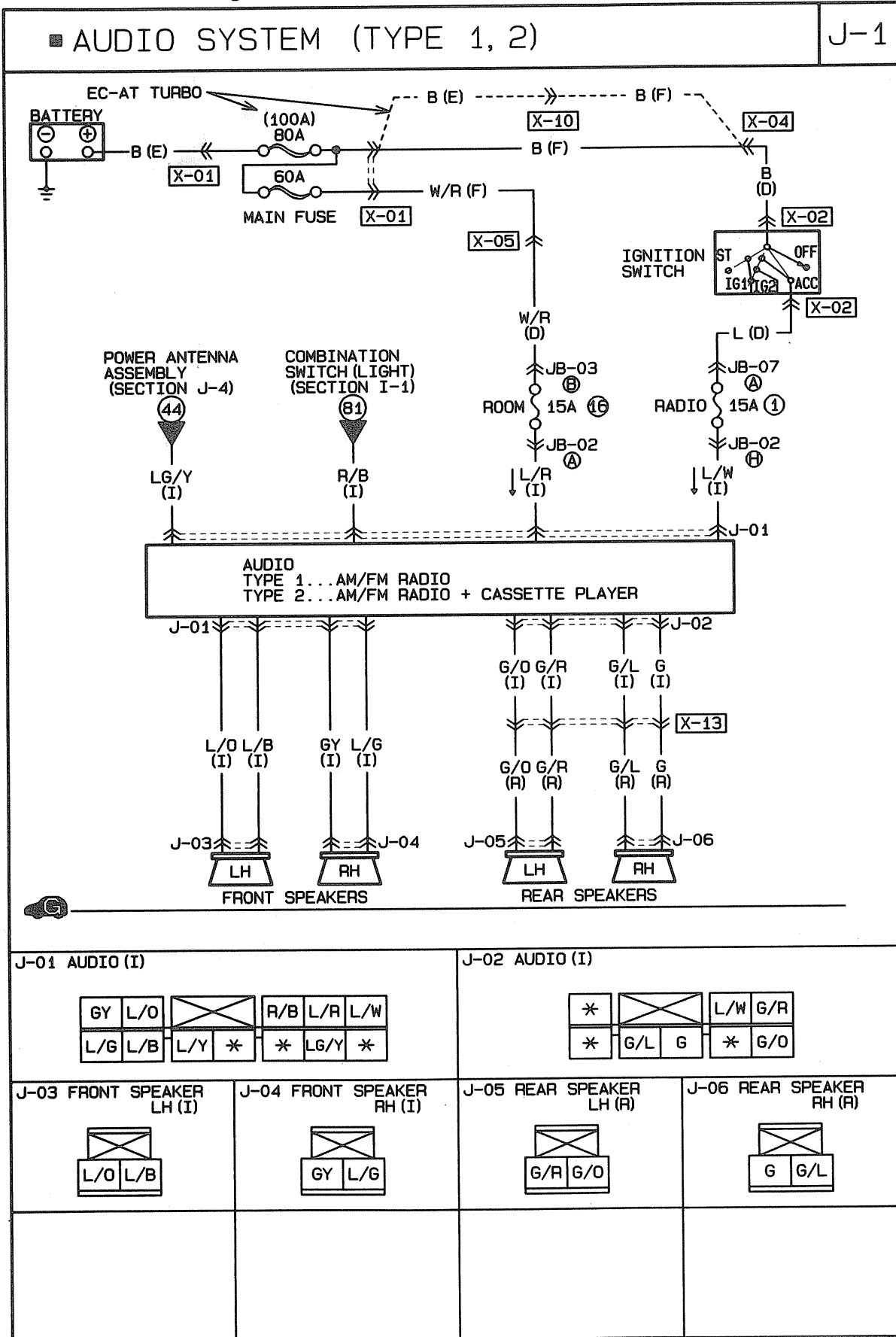
TYPE 3, 4



TYPE 5

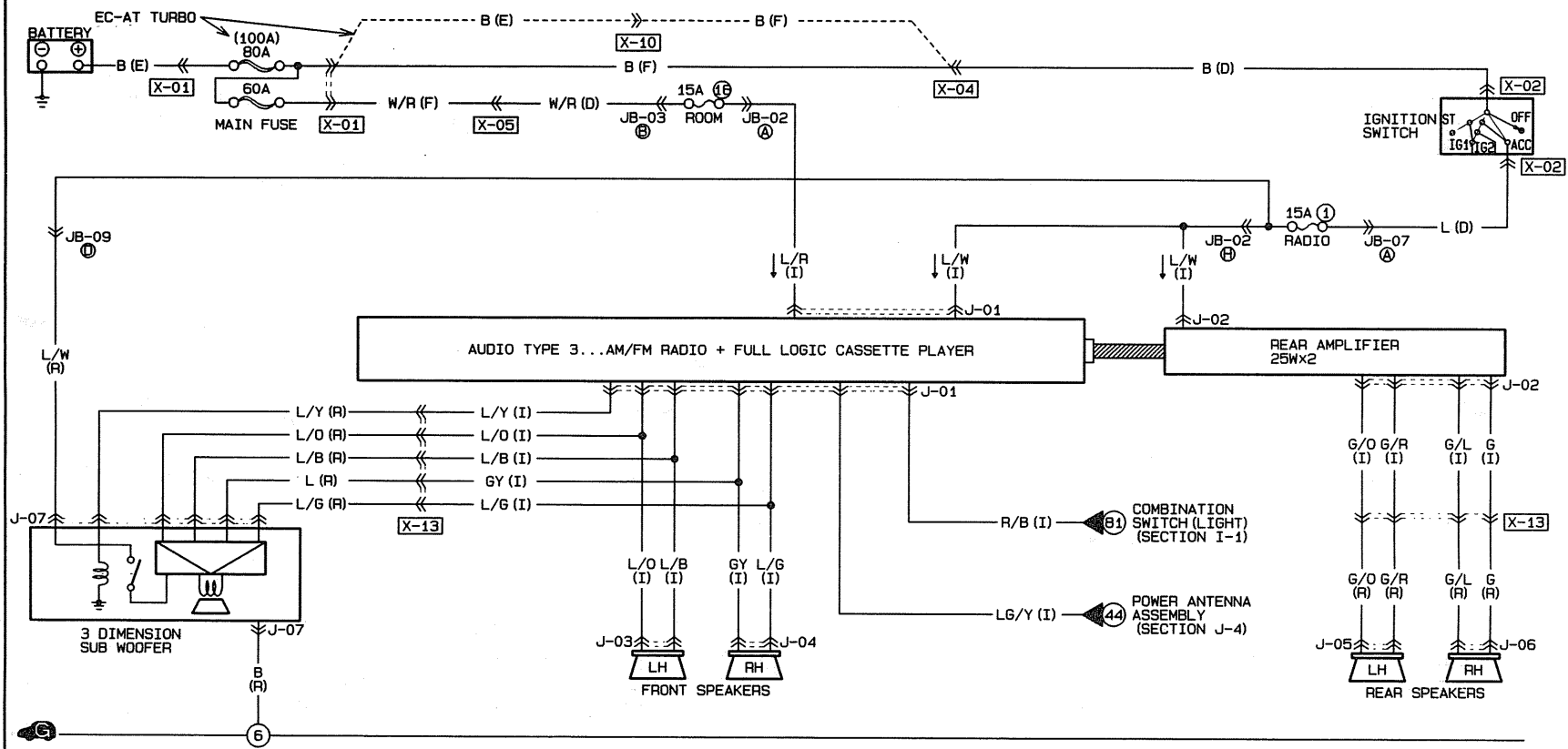


TROUBLESHOOTING
Circuit and Connector Diagram



■ AUDIO SYSTEM (TYPE 3)

J-2

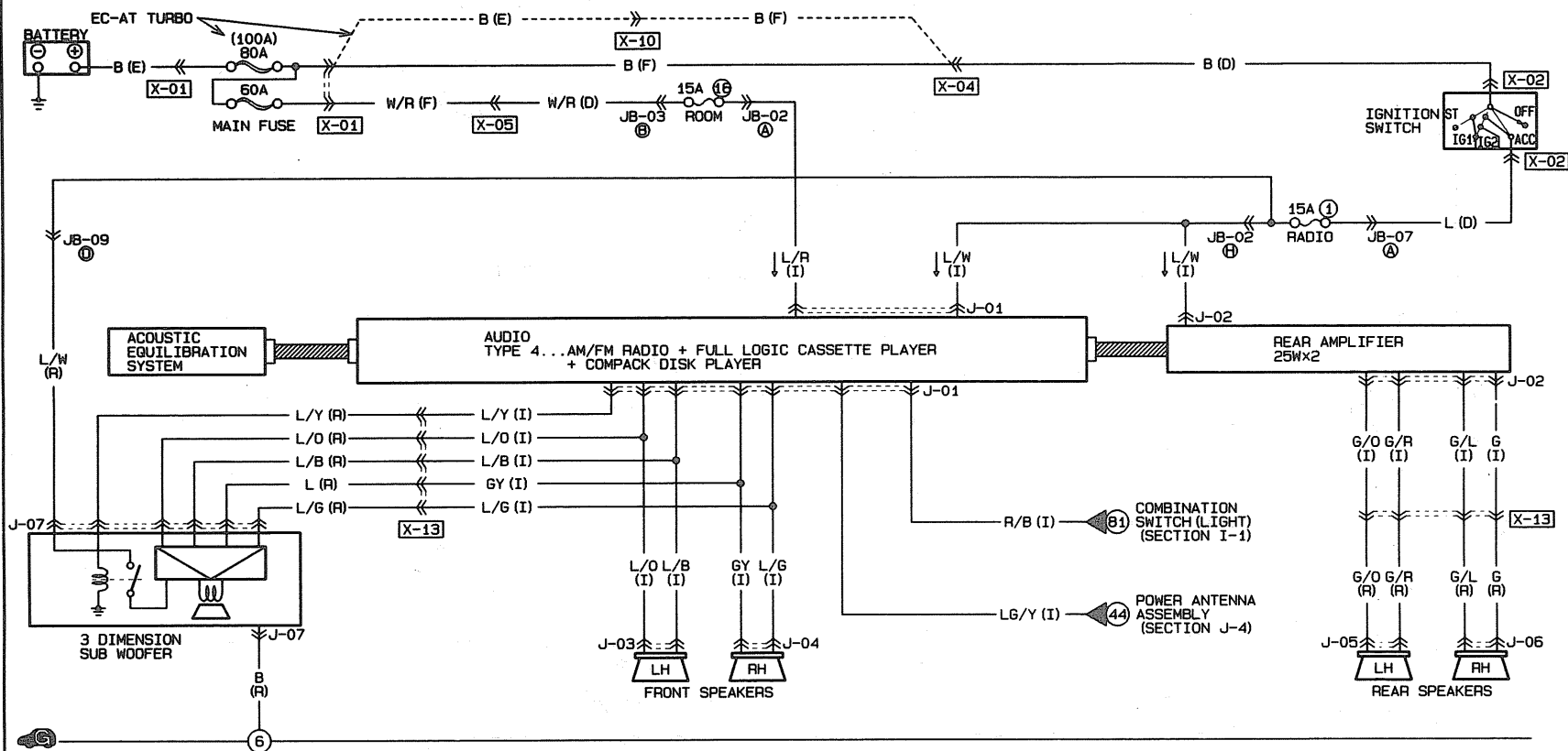


<p>J-01 AUDIO (I)</p> <table border="1"> <tr> <td>GY</td> <td>L/O</td> <td></td> <td>R/B</td> <td>L/R</td> <td>L/W</td> </tr> <tr> <td>L/G</td> <td>L/B</td> <td>L/Y *</td> <td>*</td> <td>LG/Y *</td> <td></td> </tr> </table>	GY	L/O		R/B	L/R	L/W	L/G	L/B	L/Y *	*	LG/Y *		<p>J-02 AUDIO (I)</p> <table border="1"> <tr> <td>*</td> <td></td> <td>L/W</td> <td>G/R</td> </tr> <tr> <td>*</td> <td>G/L</td> <td>G</td> <td>* G/O</td> </tr> </table>	*		L/W	G/R	*	G/L	G	* G/O	<p>J-03 FRONT SPEAKER LH (I)</p> <table border="1"> <tr> <td>L/O</td> <td>L/B</td> </tr> </table>	L/O	L/B	<p>J-04 FRONT SPEAKER RH (I)</p> <table border="1"> <tr> <td>GY</td> <td>L/G</td> </tr> </table>	GY	L/G	<p>J-05 REAR SPEAKER LH (R)</p> <table border="1"> <tr> <td>G/R</td> <td>G/O</td> </tr> </table>	G/R	G/O
GY	L/O		R/B	L/R	L/W																									
L/G	L/B	L/Y *	*	LG/Y *																										
*		L/W	G/R																											
*	G/L	G	* G/O																											
L/O	L/B																													
GY	L/G																													
G/R	G/O																													
<p>J-06 REAR SPEAKER RH (R)</p> <table border="1"> <tr> <td>G</td> <td>G/L</td> </tr> </table>	G	G/L	<p>J-07 3 DIMENSION SUB WOOFER (R)</p> <table border="1"> <tr> <td>B</td> <td></td> <td>L/O</td> <td>L/W</td> </tr> <tr> <td>*</td> <td>L/G</td> <td>L</td> <td>L/B</td> </tr> <tr> <td></td> <td></td> <td></td> <td>L/Y</td> </tr> </table>	B		L/O	L/W	*	L/G	L	L/B				L/Y															
G	G/L																													
B		L/O	L/W																											
*	L/G	L	L/B																											
			L/Y																											

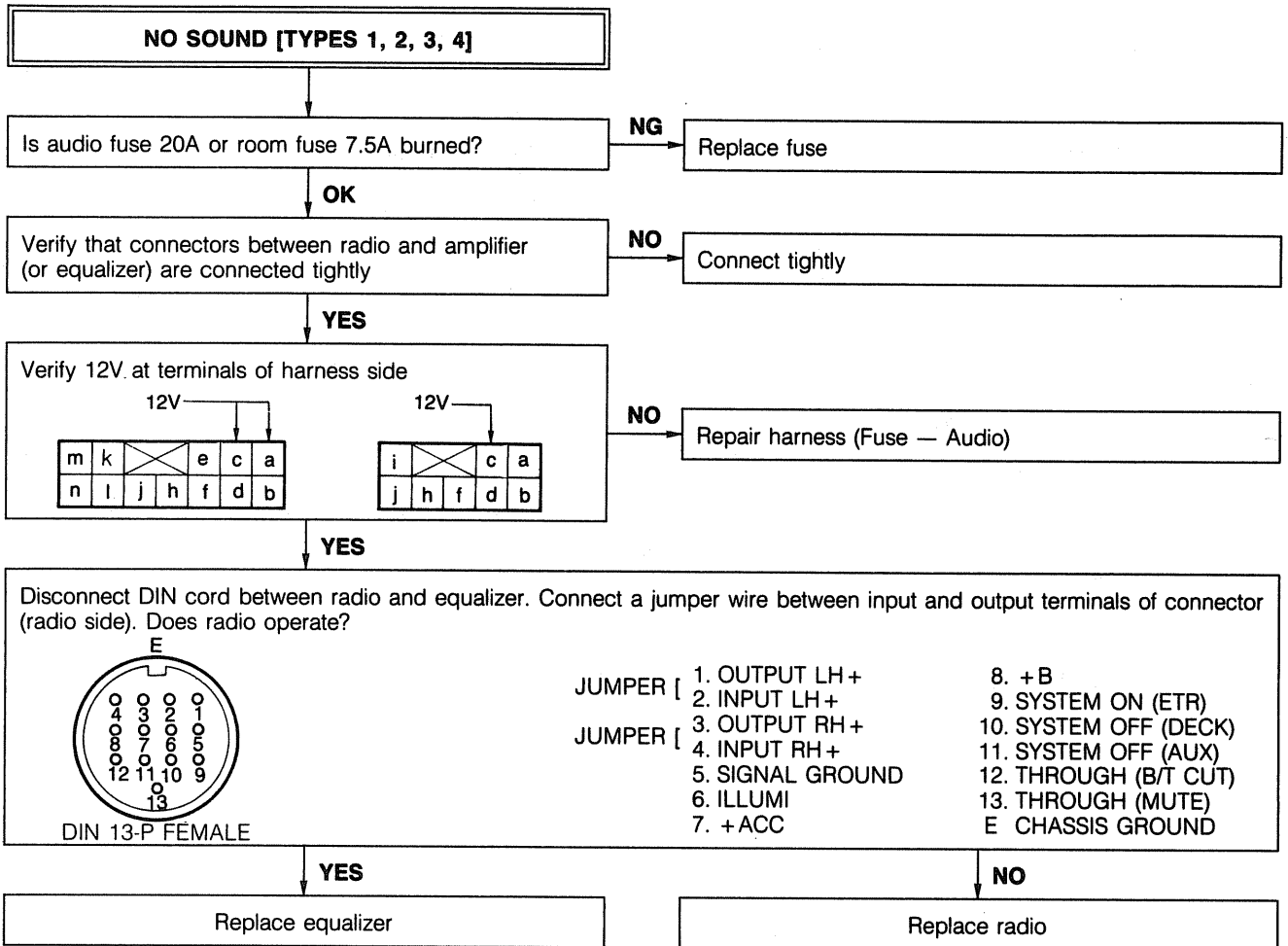
AUDIO SYSTEM

AUDIO SYSTEM (TYPE 4)

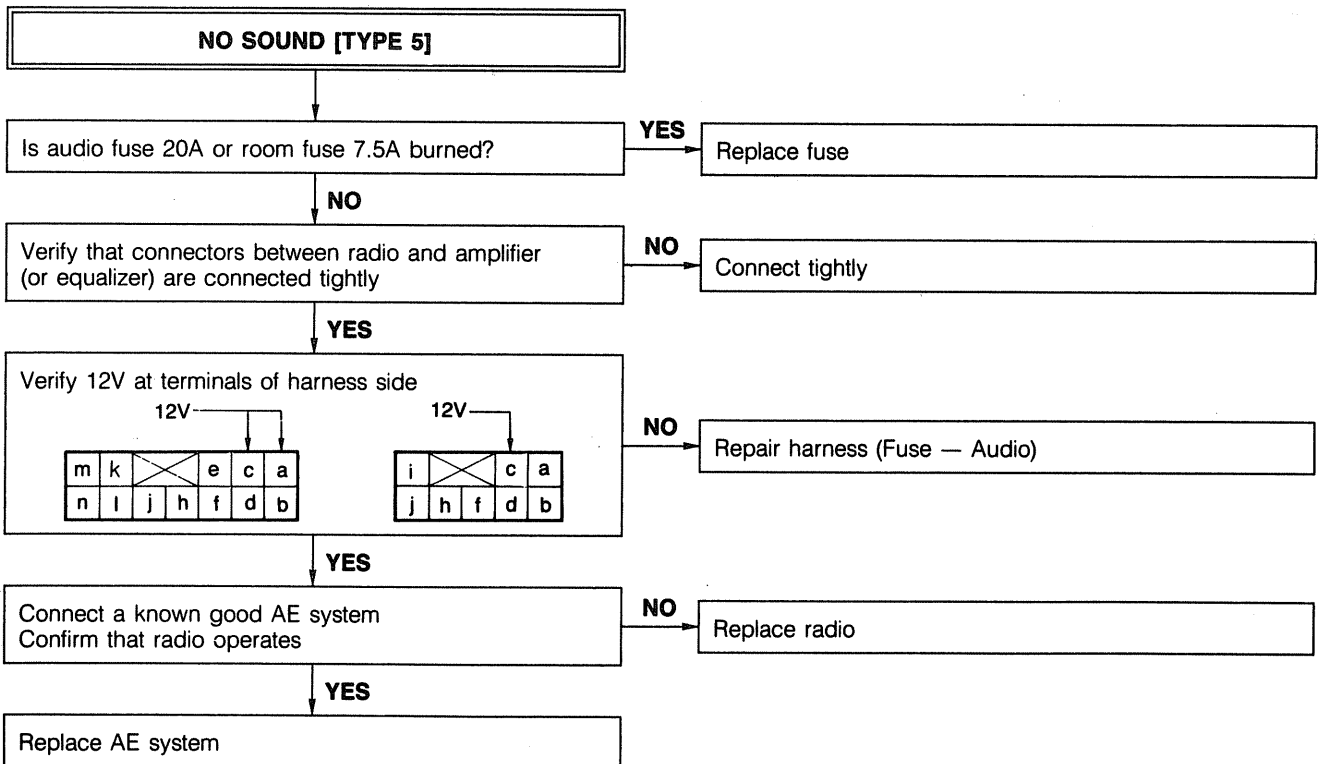
J-3



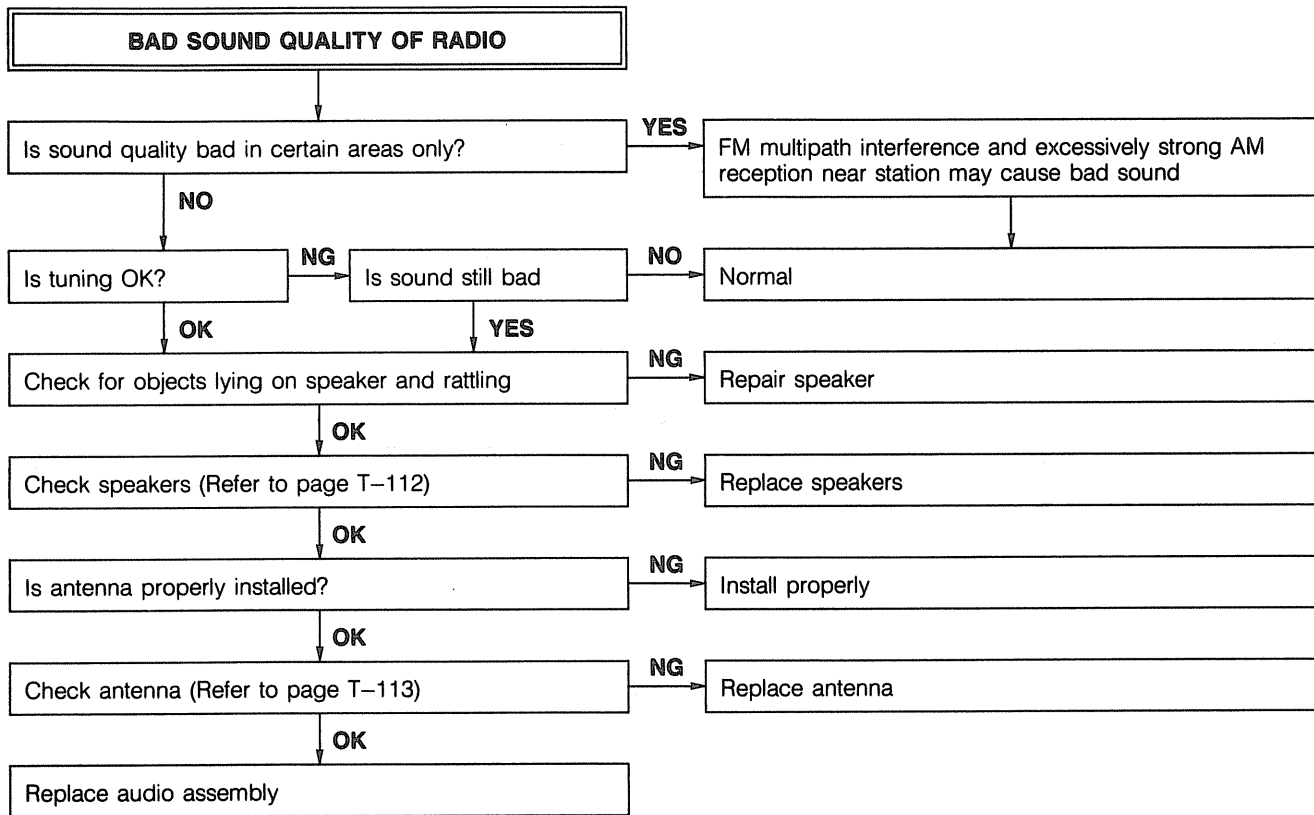
J-01 AUDIO (I)	J-02 AUDIO (I)	J-03 FRONT SPEAKER LH (I)	J-04 FRONT SPEAKER RH (I)	J-05 REAR SPEAKER LH (R)																										
<table border="1"> <tr> <td>GY</td> <td>L/O</td> <td></td> <td>R/B</td> <td>L/R</td> <td>L/W</td> </tr> <tr> <td>L/G</td> <td>L/B</td> <td>L/Y</td> <td>*</td> <td>L/G</td> <td>Y</td> </tr> </table>	GY	L/O		R/B	L/R	L/W	L/G	L/B	L/Y	*	L/G	Y	<table border="1"> <tr> <td>*</td> <td></td> <td>L/W</td> <td>G/R</td> </tr> <tr> <td>*</td> <td>G/L</td> <td>G</td> <td>G/O</td> </tr> </table>	*		L/W	G/R	*	G/L	G	G/O	<table border="1"> <tr> <td>L/O</td> <td>L/B</td> </tr> </table>	L/O	L/B	<table border="1"> <tr> <td>GY</td> <td>L/G</td> </tr> </table>	GY	L/G	<table border="1"> <tr> <td>G/R</td> <td>G/O</td> </tr> </table>	G/R	G/O
GY	L/O		R/B	L/R	L/W																									
L/G	L/B	L/Y	*	L/G	Y																									
*		L/W	G/R																											
*	G/L	G	G/O																											
L/O	L/B																													
GY	L/G																													
G/R	G/O																													
J-06 REAR SPEAKER RH (R)	J-07 3 DIMENSION SUB WOOFER (R)																													
<table border="1"> <tr> <td>G</td> <td>G/L</td> </tr> </table>	G	G/L	<table border="1"> <tr> <td>B</td> <td></td> <td>L/O</td> <td>L/W</td> </tr> <tr> <td>*</td> <td>L/G</td> <td>L</td> <td>L/B</td> </tr> <tr> <td></td> <td></td> <td>L</td> <td>L/Y</td> </tr> </table>	B		L/O	L/W	*	L/G	L	L/B			L	L/Y															
G	G/L																													
B		L/O	L/W																											
*	L/G	L	L/B																											
		L	L/Y																											



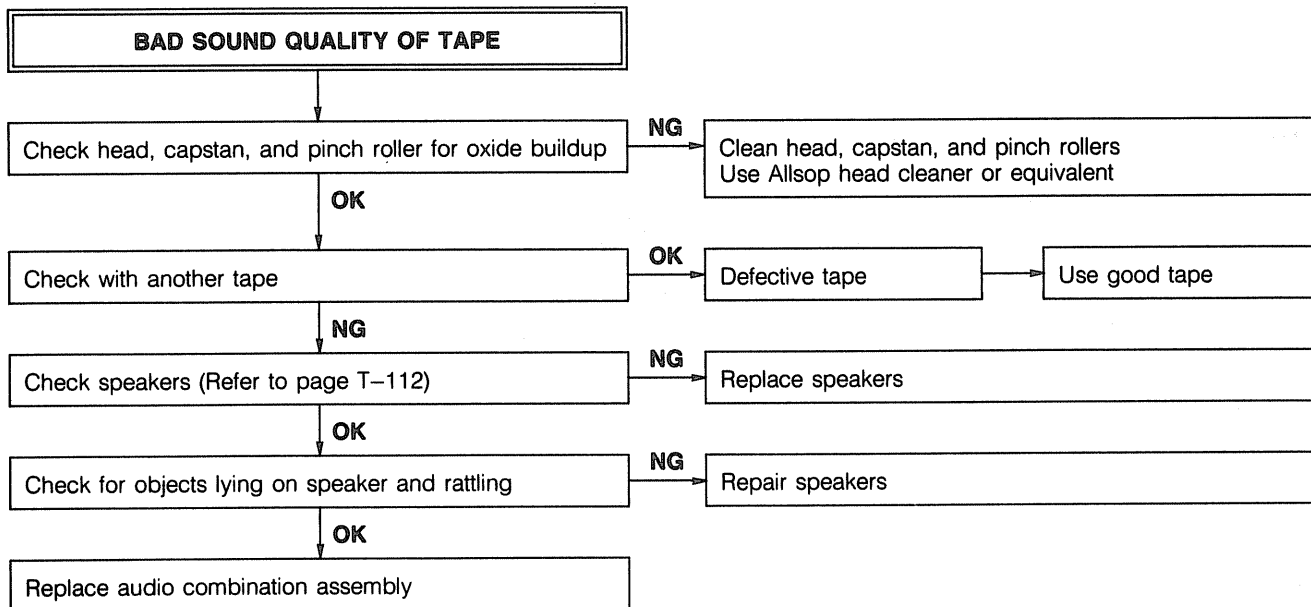
06U0TX-104



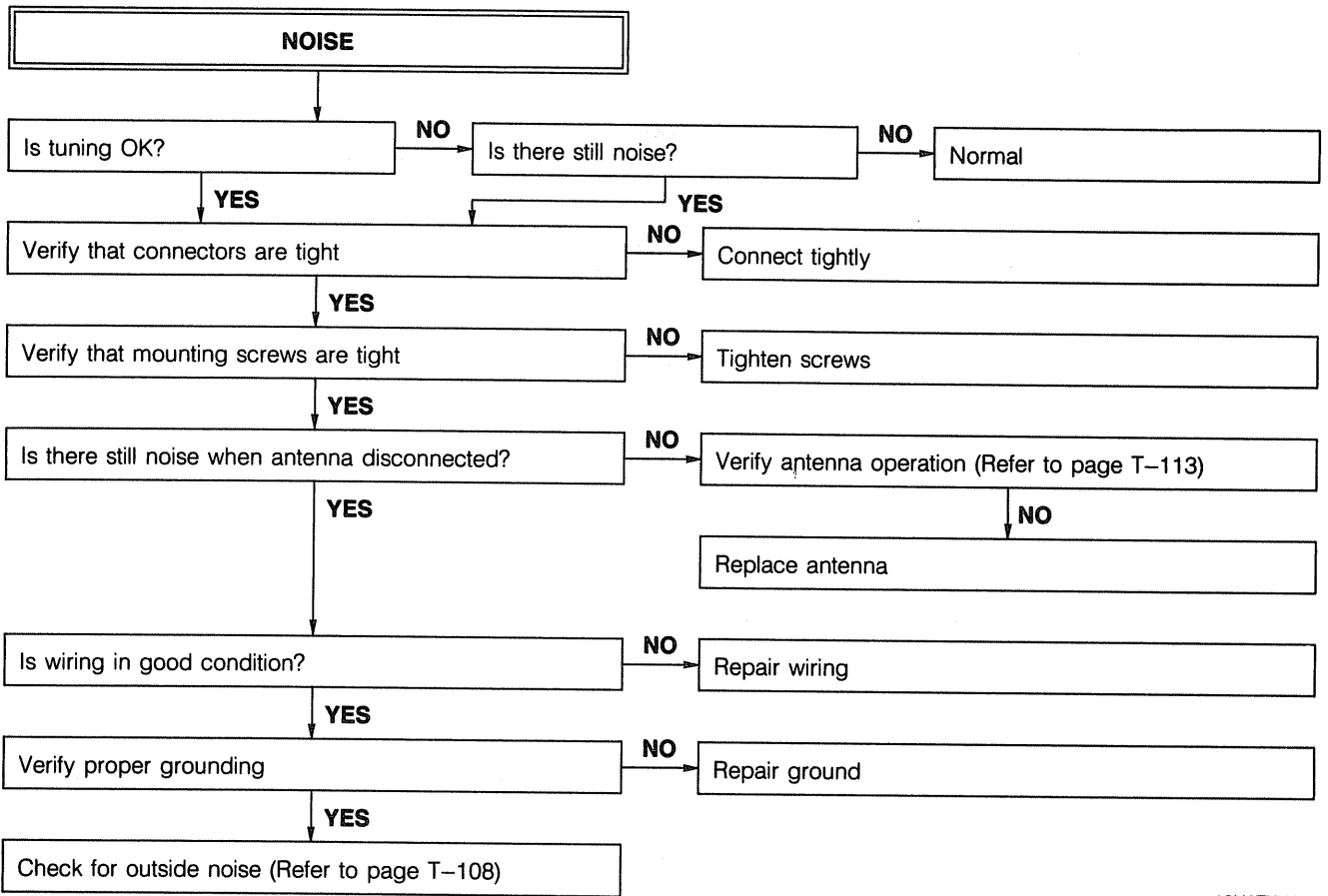
06U0TX-105



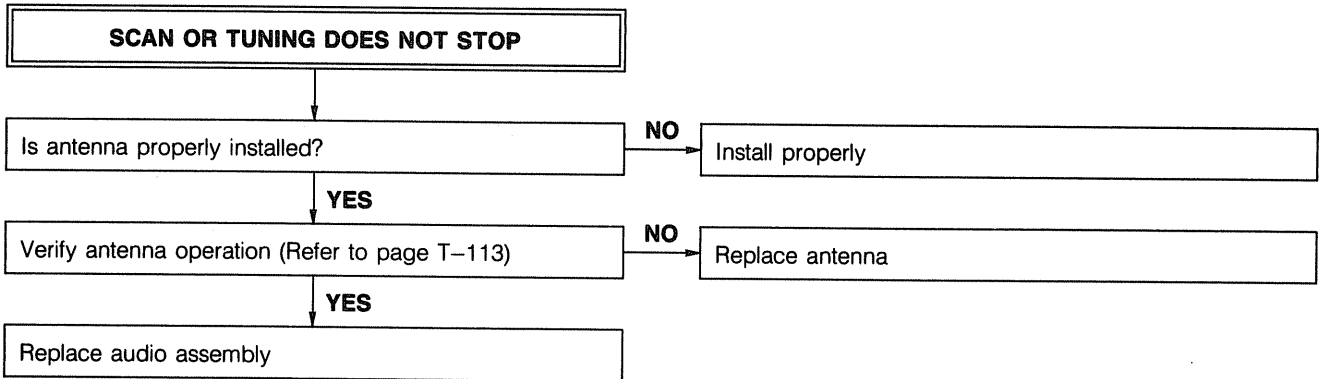
16U0TX-054



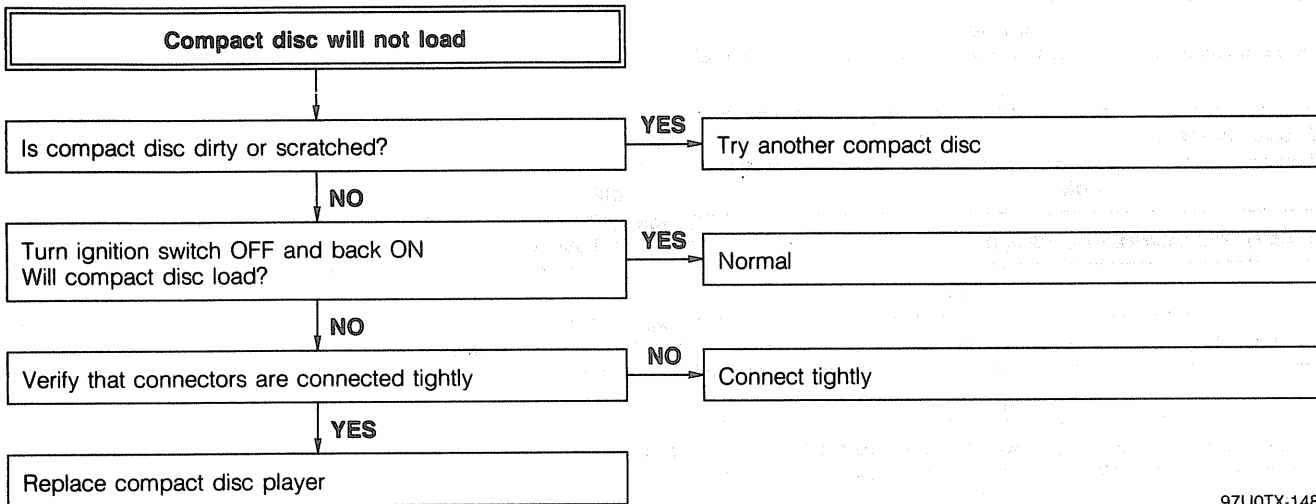
16U0TX-055



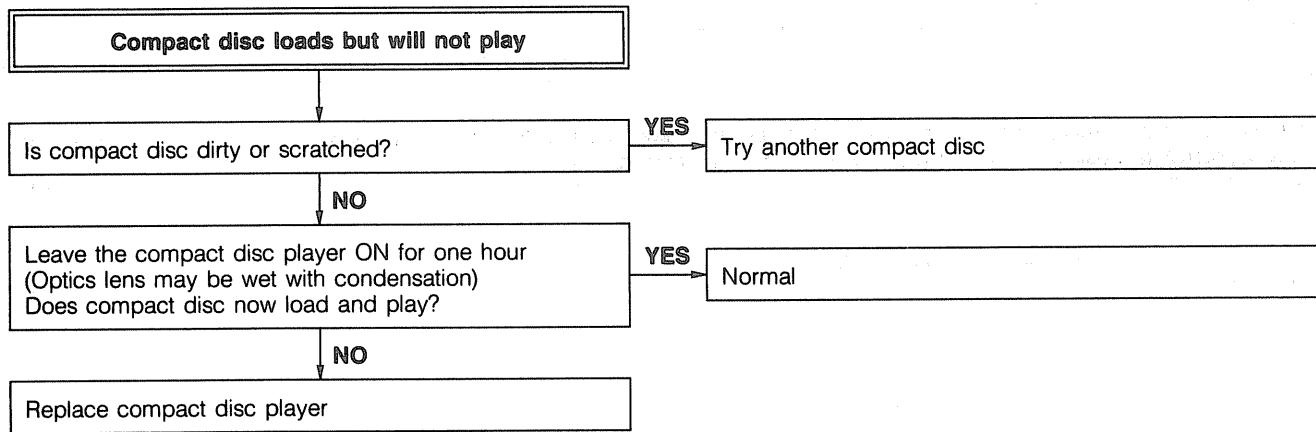
16U0TX-056



16U0TX-057



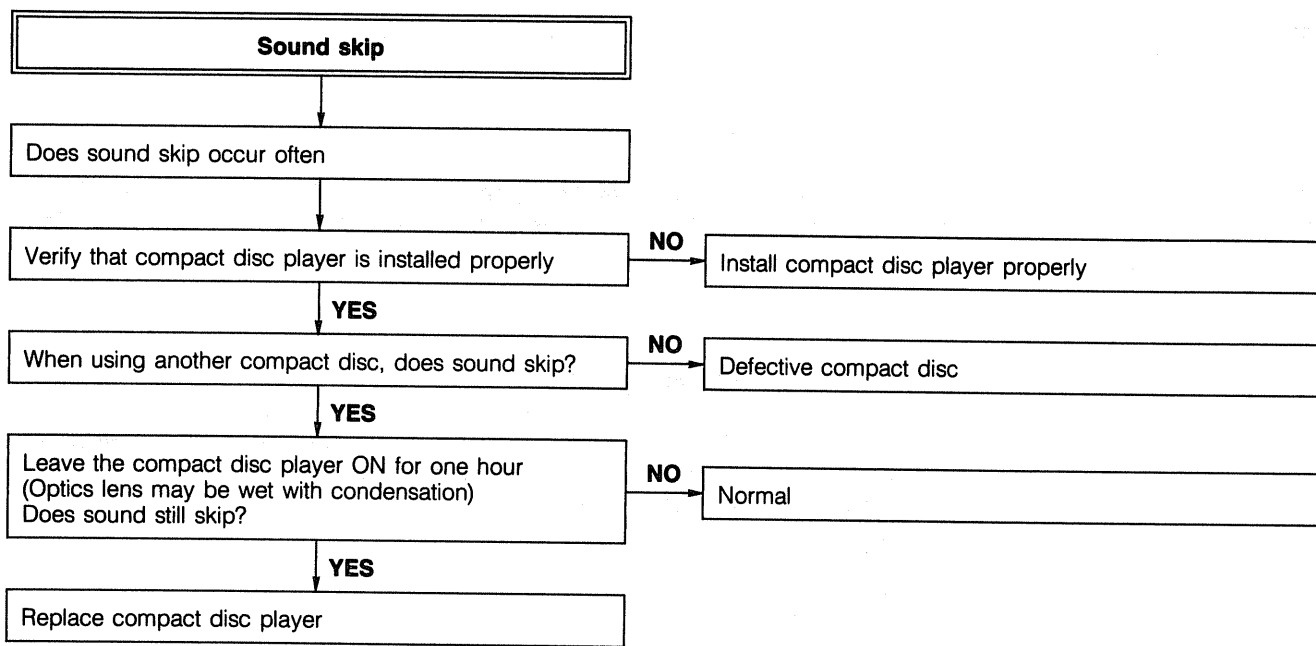
97U0TX-148



97U0TX-149

Caution

- Never insert anything into the compact disc slot to attempt to set the compact disc.



Note

- **Compact disc skip may be hard to recreate because it may be a result of the vehicle encountering sharp road shocks. This is a normal condition if it happens only infrequently.**

97U0TX-150

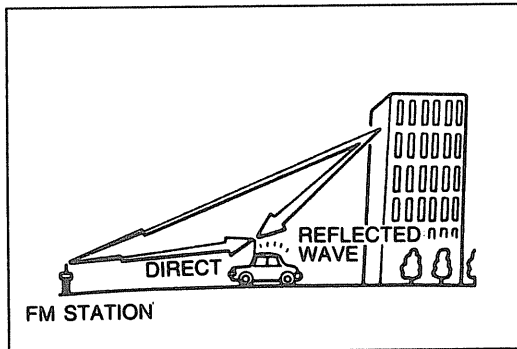
CAUSES OF NOISE

When the radio receives a signal from a station, there may be some noise interference. The cause could be

1. Defective audio system.
2. The vehicle itself inducting noise (called outside noise).
3. Noise from other cars or neon signs, (ambience noise).

Since ambience noise is a temporary occurrence, this section does not deal with it. For noise problems, first, the cause of the noise must be determined through troubleshooting guide. Once it has been determined, refer to the suppression chart to find the proper procedure for eliminating the noise.

16U0TX-071

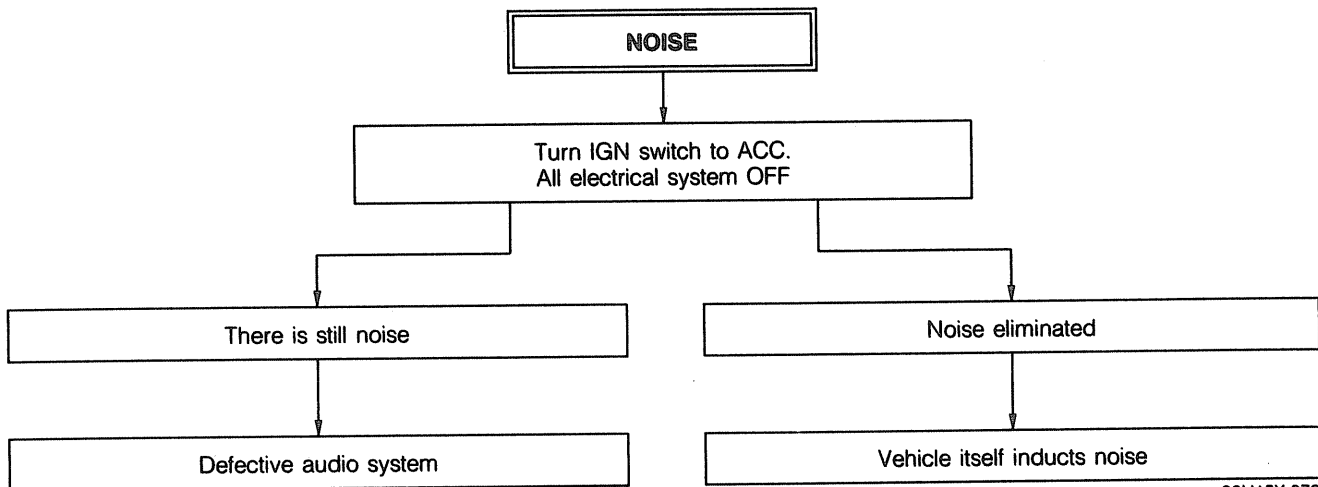


93U15X-071

FM multipath

FM waves can cause a problem called multipath receiving. This happens when the radio picks up a direct wave and reflected wave at the same time. This results in a "Dead Spot" or distorted sound.

Troubleshooting



93U15X-072

Noise Suppression Chart

Cause	Remedy
Fuel pump noise	<div style="display: flex; justify-content: space-between;"> <div style="text-align: center;"> <p>NEW SPEAKER WIRES</p> <p>PREVIOUS SPEAKER WIRES</p> <p>REAR HARNESS</p> <p>FUEL PUMP</p> </div> <div style="text-align: left;"> <p>Move speaker wiring away from fuel pump wire.</p> </div> </div>
Motor noise (Wiper, washer, power window, for example.)	<ol style="list-style-type: none"> 1. Check grounding. 2. Install condensers to motor circuit. <div style="text-align: center;"> <p>ACC</p> <p>WIPER MOTOR</p> <p>LO</p> <p>HI</p> </div>
Turn signal noise	<p>Connect condenser (0.5 μF) to power line of filter unit.</p> <div style="text-align: center;"> <p>FLASHER UNIT</p> <p>CONDENSER</p> </div> <p style="text-align: center;">Note</p> <ul style="list-style-type: none"> • Condenser should be placed near flasher unit.
Alternator noise	<p>Connect condenser (0.5 μF) near alternator.</p> <div style="text-align: center;"> <p>G</p> <p>CONDENSER</p> <p>TO RADIO</p> </div>

97U0TX-151

Sound is partial



Table 1						
Speaker	Fader	Balance	Tone		Speaker operates	Judgement
			Bass	Treble		
Left front	Front	Left	MIN	MAX	Yes	Left front speaker OK
					No	Left front speaker circuit faulty (Go to Table 2)
Right front	Front	Right	MIN	MAX	Yes	Right front speaker OK
					No	Right front speaker circuit faulty (Go to Table 2)
Left rear	Rear	Left	MIN	MAX	Yes	Left rear speaker OK
					No	Left rear speaker circuit faulty (Go to Table 2)
Right rear	Rear	Right	MIN	MAX	Yes	Right rear speaker OK
					No	Right rear speaker circuit faulty (Go to Table 2)

Table 2	
No operation	Action
Left front speaker	Inspect the speaker. (Refer to page T-112)
Right front speaker	Inspect the speaker. (Refer to page T-112)
Left rear speaker	Inspect the speaker. (Refer to page T-112)
Right rear speaker	Inspect the speaker. (Refer to page T-112)
Both front speakers	Inspect the speaker. (Refer to page T-112)
Both rear speakers	Inspect the speaker. (Refer to page T-112)
All speakers	Replace the audio component assembly

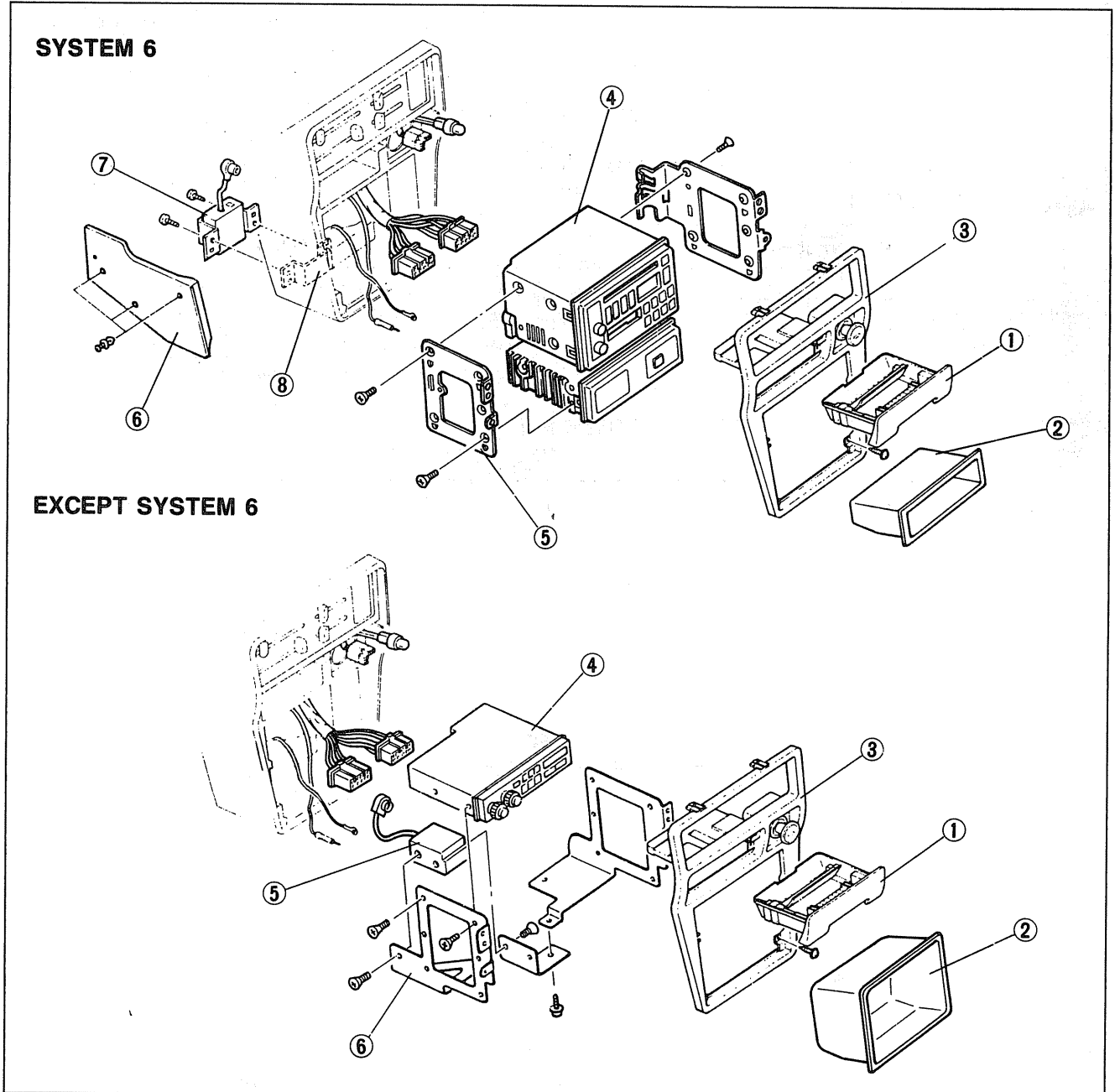
16U0TX-058

AUDIO UNIT Removal / Installation

Caution

- When removing or installing, disconnect the negative battery cable.

1. Remove in the order shown in the figure.
2. Install in the reverse order of removal.



06U0TX-111

System 6 Audio Unit

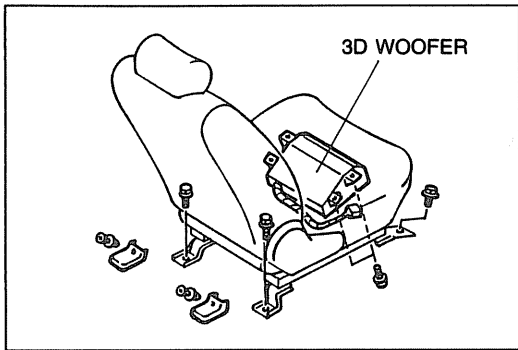
1. Ashtray
2. Box
3. Center panel
4. Audio unit
5. Bracket

Power Amp (For Rear Speaker)

6. Side cover
7. Power amp
8. Bracket

Except System 6 Audio Unit

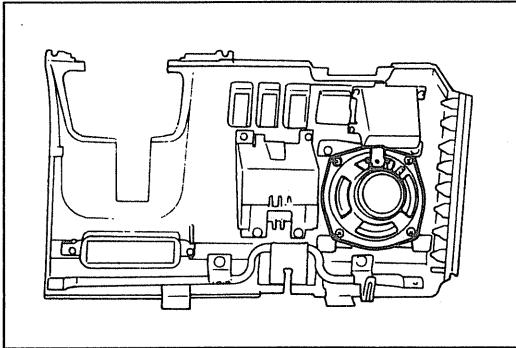
1. Ashtray
2. Box
3. Center panel
4. Audio unit
5. Power amp (for rear speaker)
6. Bracket



06U0TX-112

3D WOOFER (UNDER PASSENGER SEAT)**Removal / Installation**

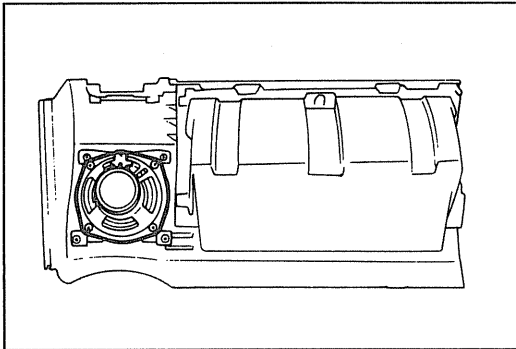
1. Remove the fasteners and remove the adjuster covers.
2. Remove the seat mounting bolts, disconnect the 3D woofer connector, and remove the seat.
3. Remove the screws and remove the 3D woofer.
4. Install in the reverse order of removal.



06U0TX-113

FRONT SPEAKER**Removal / Installation****Left side**

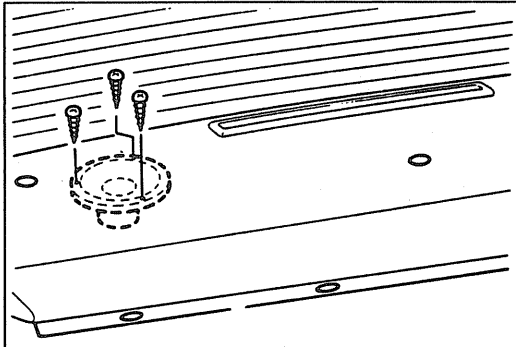
1. Remove the column cover.
(Refer to Section S.)
2. Remove the undercover and hood release knob.
(Refer to Section S.)
3. Remove the switch panel.
(Refer to Section S.)
4. Remove the screws and remove the speaker.
5. Install in the reverse order of removal.



06U0TX-114

Right side

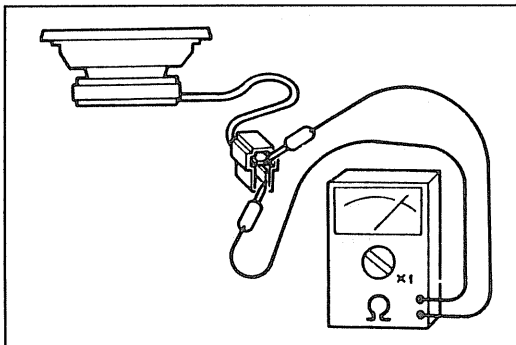
1. Remove the lower panel.
(Refer to Section S.)
2. Remove the screws and remove the speaker.
3. Install in the reverse order of removal.



06U0TX-115

REAR SPEAKER**Removal / Installation**

1. Remove the rear package tray.
(Refer to Section S.)
2. Remove the speaker mounting screws, disconnect the connector and remove the speaker.
3. Install in the reverse order of removal.



06U0TX-116

INSPECTION OF SPEAKER

1. Check for resistance with ohmmeter.

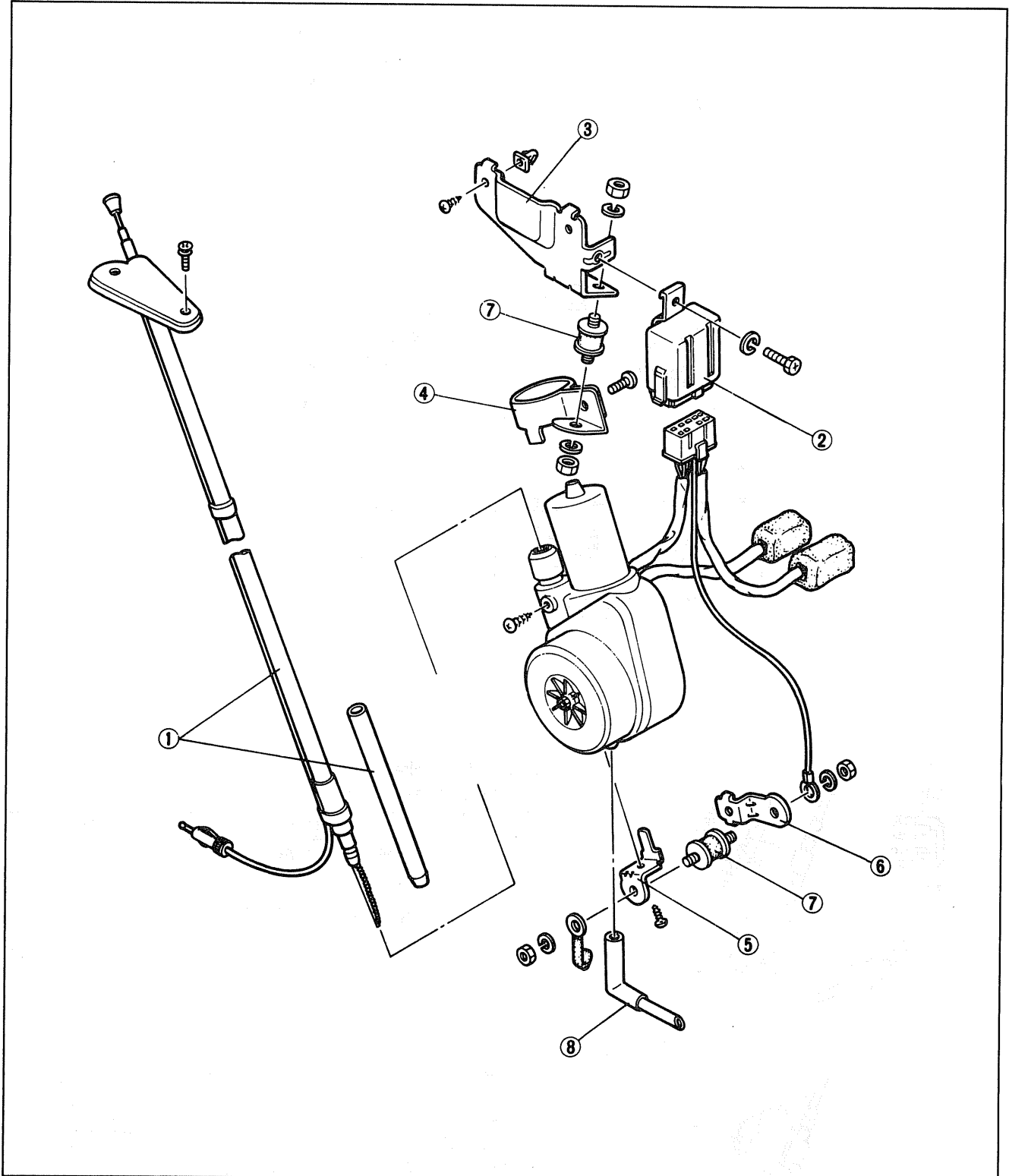
Note

- Set the ohmmeter to $\times 1\Omega$ range.
- Resistance: approximately 4Ω

2. Confirm that clicking comes from the speaker when touching the connectors. If not, replace speaker.

POWER ANTENNA
Disassembly / Assembly

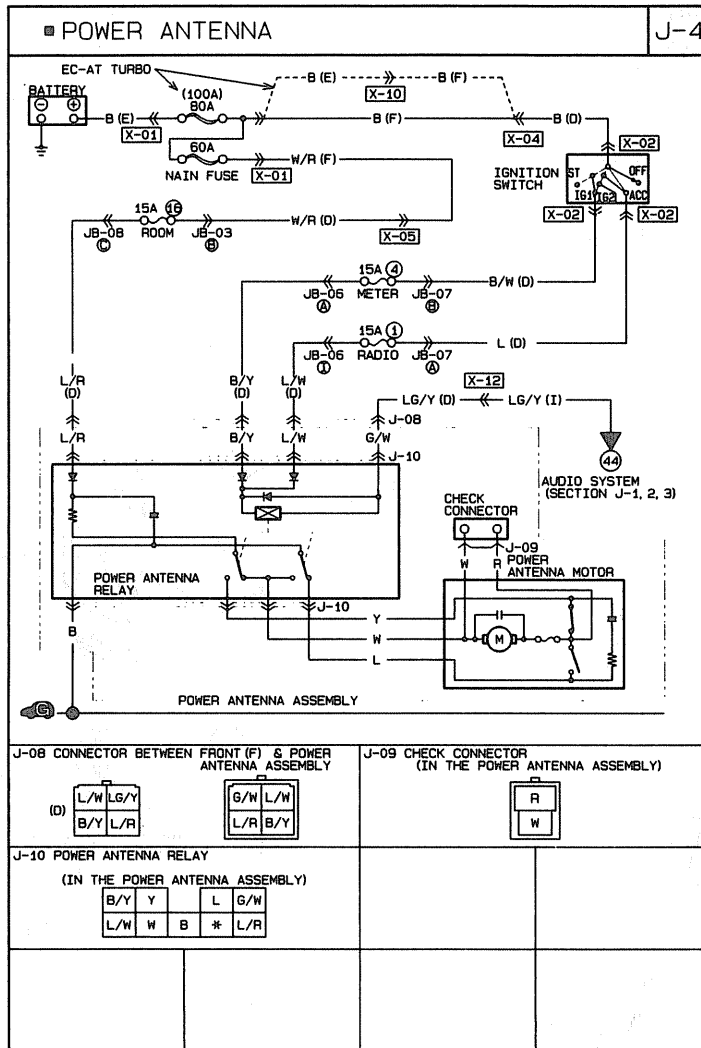
1. Disassemble in the order shown in the figure.
2. Assemble in the reverse order of disassembly



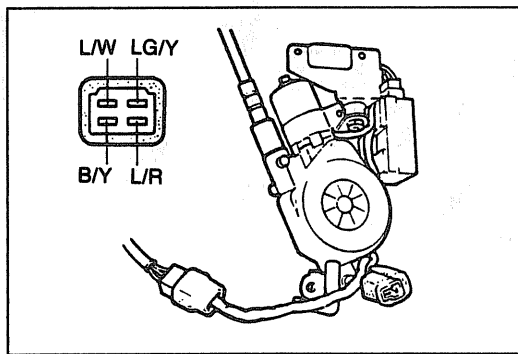
06U0TX-117

- | | |
|---------------------------|-----------------------|
| 1. Radio antenna assembly | 5. Lower bracket No.1 |
| 2. Power antenna relay | 6. Lower bracket No.2 |
| 3. Upper bracket | 7. Insulator |
| 4. Bracket | 8. Drain pipe |

Inspection



06U0TX-118

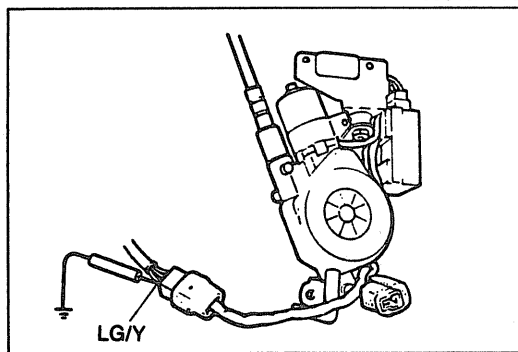


96U15X-179

1. Check the voltage at the terminals of the 4-pin connector (harness side).

Terminal	Condition	Voltage
L/W	Ignition switch ACC	12
B/Y	Ignition switch ON	12
LG/Y	Ignition switch ACC and radio power switch ON	0
L/R	Constant	12

If not as specified, repair the harness.

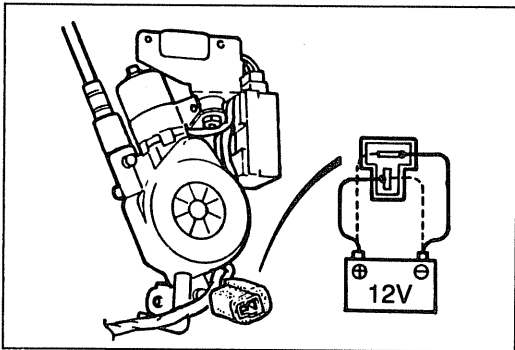


96U15X-180

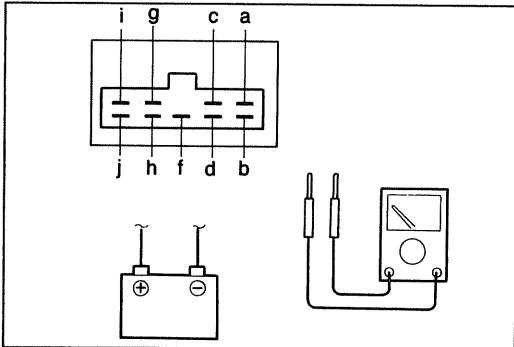
2. Turn the ignition switch ON, and check operation of the power antenna.

Condition	Antenna operation
LG/Y wire connected to ground	Raises
LG/Y wire not connected to ground	Lowers

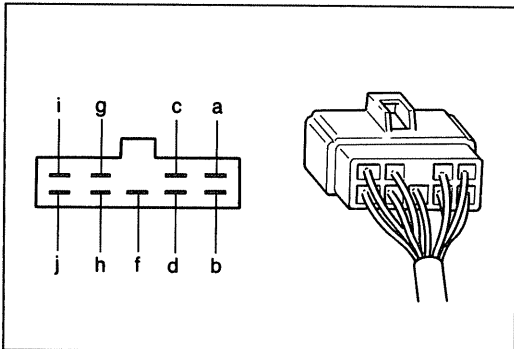
If the power antenna does not operate, check operation of the power antenna motor.



96U15X-181



16U0TX-059



16U0TX-060

3. Connect 12V and a ground to the 2-pin service connector, and check that the motor operates.
If it does not operate, replace the motor.
If it operates, replace the power antenna relay.

4. Check for continuity between the terminals of the power antenna relay. If there is no continuity, replace the relay.

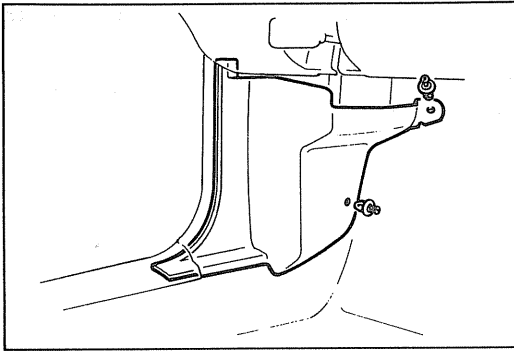
Battery		Terminal									
Pos.	Neg.	a	b	c	d	f	g	h	i	j	
				○		○					
i	a		○			○	○	○			
j	a		○			○	○	○			

○—○: Indicates continuity

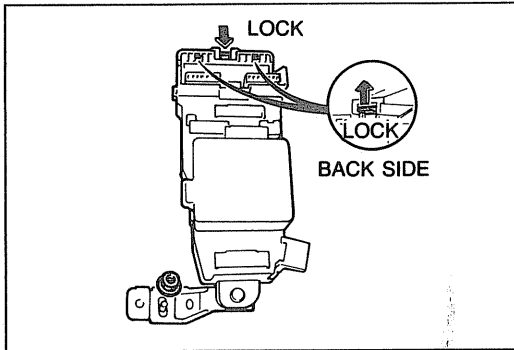
If the antenna does not function even though there is continuity, the problem may be either in the wiring harness or in the audio component assembly.

5. Apply battery voltage to the terminals and check the operation.

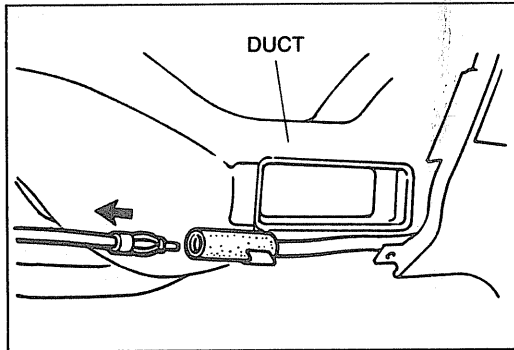
Battery		Function of antenna
Pos.	Neg.	
g	h	UP
h	c	DOWN



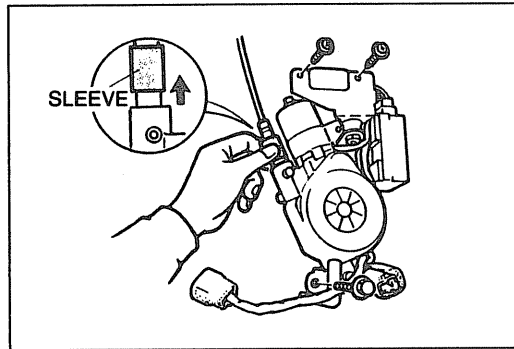
06U0TX-120



06U0TX-121



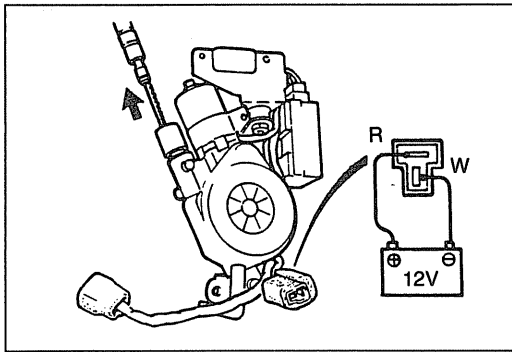
96U15X-161



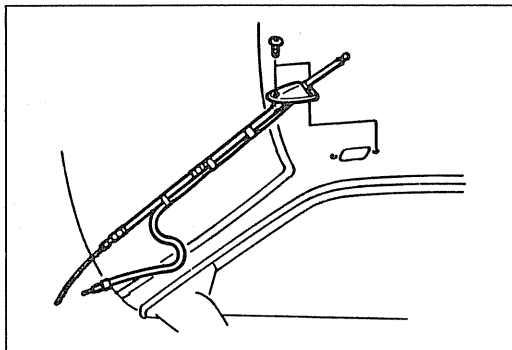
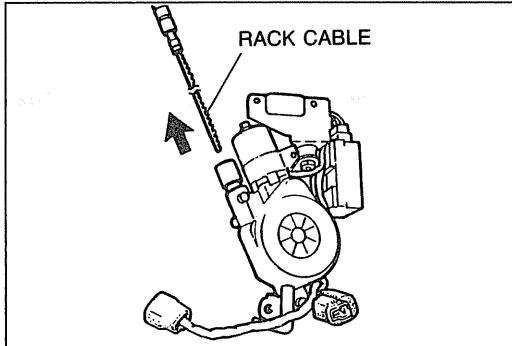
96U15X-162

Removal

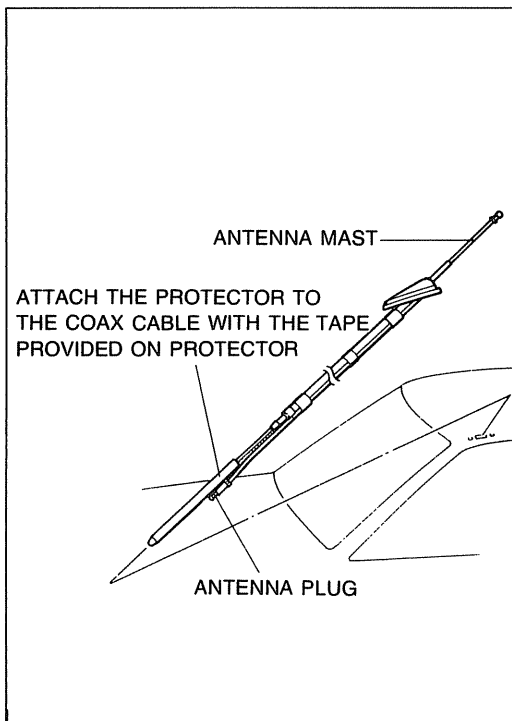
1. Remove the fasteners and remove the front side trim.
2. Remove the undercover and hood release knob.
(Refer to Section S.)
3. Remove the central processing unit.
(Refer to page T-68.)
4. Disconnect the harness connectors from the joint box.
5. Remove the nut, release the lock, then remove the joint box.
6. Disconnect the antenna feeder connection below the steering column and vent duct.
7. Disconnect the power antenna connector.
8. Remove the antenna motor bracket mounting bolt and screws and remove the antenna motor (with antenna mast).
9. Slide the joint sleeve upward to disengage the motor from the antenna mast.



96U15X-163



96U15X-164



96U15X-165

10. Connect 12V and a ground to terminal-wires (R) and (W) of the motor service connector to operate the motor. Carefully pull the rack cable out of the motor housing while the motor is operating.

Note

- **Even if the mast is broken or missing, be sure that all plastic rack cable has been fed out of the motor!**

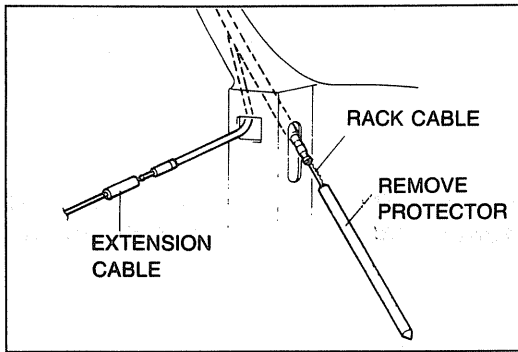
11. Remove the antenna mast mounting screws and remove the antenna mast.

Installation

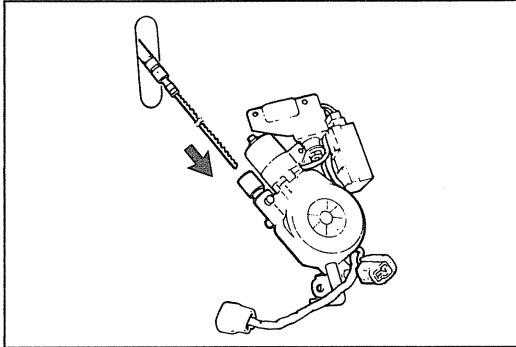
Note

- **A temporary protective cover is attached with tape to each new mast kit. This cover is to protect the plastic rack cable and to ease mast installation.**
- **Antenna mast should be fully extended.**

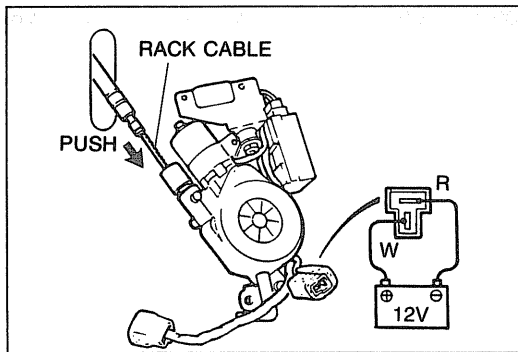
1. Install the plastic tube cover over the mast base to protect the plastic rack cable. Re-use tape provided to secure tube.
2. Tape the antenna lead plug to the tip of the protector tube in such a way that it will not catch or be damaged during insertion into the vehicle body.
3. Insert antenna mast into roof hole and carefully feed downward at the angle of the windshield pillar.



96U15X-166



16U0TX-072



96U15X-168

- When the new mast is fully inserted in the body, remove the protective plastic tube and pull the antenna lead inside.

- Carefully feed the plastic rack cable into the motor.

Caution

- Serrated side of plastic cable must face toward the motor as shown in the figure.

- Connect 12V and a ground to terminal-wires (W) and (R) of the motor service connector and retract the new rack cable into the motor housing.
- Lock the new mast base onto the motor by pushing into the housing joint. A faint click will be heard when the mast is locked. Jiggle mast base to confirm locking.
- Check the operation of the antenna mast. Rack cable slack can be self-adjusted by operating the motor several times until the mast is fully extended.
- Install the remaining parts in the reverse order of removal.